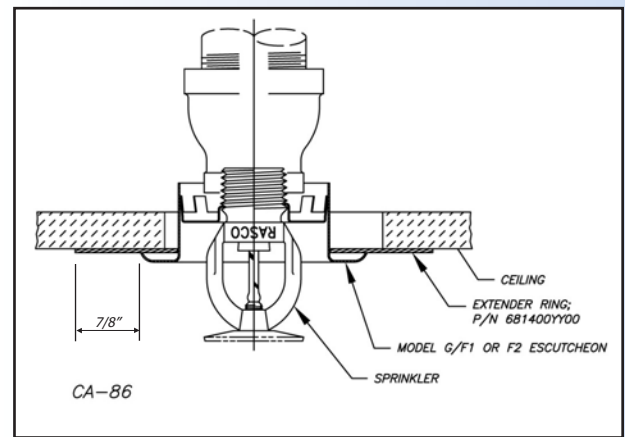
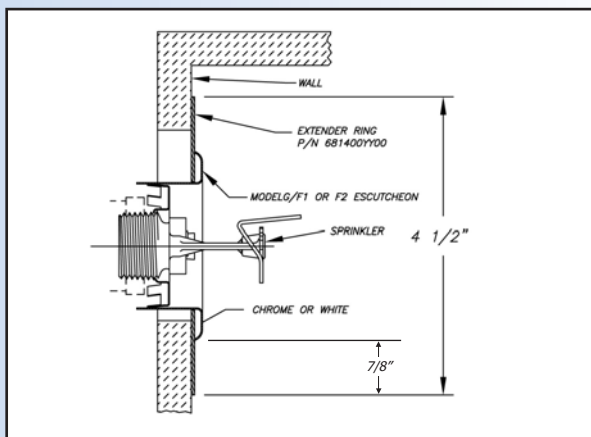


OOPS Plate!

Escutcheon Extender Ring for Seismic Applications



Sprinkler Trim	Part Number	Outside Diameter	Inside Diameter	Color
Recessed Escutcheon: F1, F2, FV	6814002100	4-1/2	1-15/16	Chrome
	6814001500	4-1/2	1-15/16	White
	6814042100	*5-1/2	1-15/16	Chrome
	6814041500	*5-1/2	1-15/16	White
Recessed Escutcheon: FP & G	6814022100	4-1/2	2-7/16	Chrome
	6814021800	4-1/2	2-7/16	White
	6814032100	*5-1/2	2-7/16	Chrome
	6814031800	*5-1/2	2-7/16	White
Cover Plate: G4, G5, G6, RFC, RFS, SWC, & CCP	6814022100	4-1/2	2-7/16	Chrome
	6814021800	4-1/2	2-7/16	White
	6814032100	*5-1/2	2-7/16	Chrome
	6814031800	*5-1/2	2-7/16	White

* 5-1/2 inch diameter are made to order and may take up to 6 to 8 weeks.

- Custom Colors are available upon request.
- Allow 3 to 4 weeks for delivery.
- For Custom Colors customer should supply paint samples.
- Contact your local Customer Service Department.
- A set up charge is required for all custom orders.