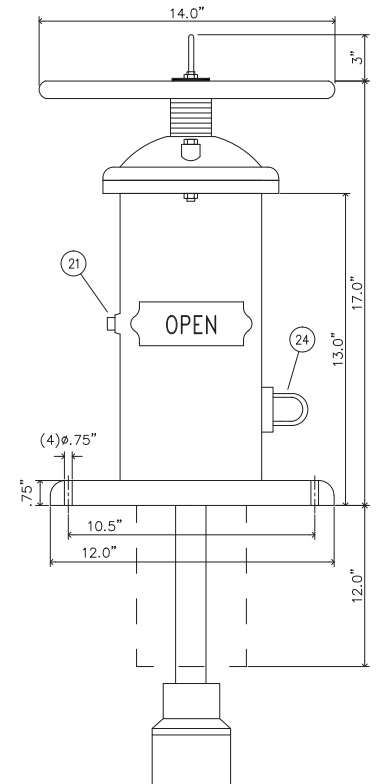
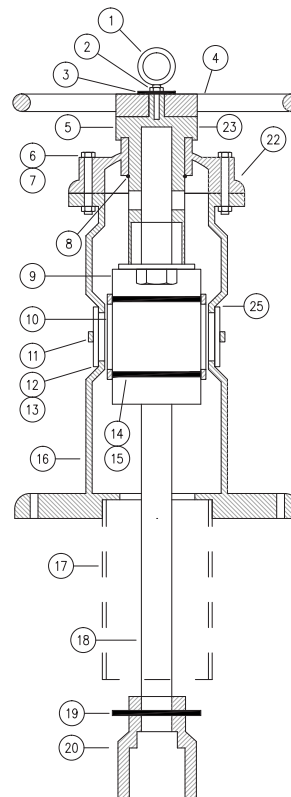


Wall Indicator Post



Materials List

No	Name	Qty	Material
1	Lifting eye bolt	1	ASTM A105 - Carbon Steel
2	Hex nut	1	ASTM A105 - Carbon Steel
3	Washer	1	ASTM A105 - Carbon Steel
4	Handwheel	1	ASTM A536 - Ductile Iron
5	Operating nut	1	ASTM B62 - Bronze
6	Hex cap screw	2	ASTM A105 - Carbon Steel
7	Hex nut	2	ASTM A105 - Carbon Steel
8	Snap ring	1	AISI 066 - Stainless Steel
9	Target carrier nut	1	ASTM B62 - Bronze
10	Target	4	ASTM B108 - Aluminum
11	Hex cap screw	4	ASTM A105 - Carbon Steel
12	Window glass	2	LEXAN-UN
13	Window glass gasket	2	PTFE
14	Hex cap screw	4	ASTM A105 - Carbon Steel
15	Hex nut	4	ASTM A105 - Carbon Steel
16	Body	1	ASTM A536 - Ductile Iron
17	Stand pipe	1	ASTM A53 - Carbon Steel
18	Stem	1	AISI 1045 - Carbon Steel
19	Cotter pin	1	AISI 304 - Stainless Steel
20	Crane coupling	1	ASTM A126B - Cast Iron
21	Plug	1	AISI 304 - Stainless Steel
22	Cover	1	ASTM A126B - Cast Iron
23	Cross recessed countersunk head screw	1	AISI 304 - Stainless Steel
24	Locking nose	1	ASTM 307 B - Carbon Steel
25	Window cover	2	ASTM A307B - Carbon Steel



Part Number

Description	Part Number
Wall Post Indicator (RASCO)	7M99003233

Field Adjustment:

1. Remove the top section from the top of the Indicator post assembly.
2. Set the "OPEN" and "SHUT" targets for the appropriate valve size.
3. Reattach the top section to the top of the indicator post assembly.
4. Design and dimensions are subject to change without notice.

Installation

NOTE: Ensure that the non-rising stem gate valve is in the fully open position before installing the Wall Post Indicator.

Make the Walk Through Hole

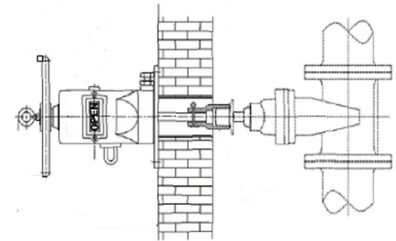
Drill a hole that is at least 4.7" (120mm) in diameter but not greater than 180MM (7.1") in diameter through the mounting wall. The clearance hole must be on-center and concentric with the operating nut of the non-rising stem gate valve.

Drill the Mounting Holes

Drill 4 equally spaced holes on a 10.5" (267mm) bolt circle into the mounting wall using a 3/4" (19mm) drill bit. The bolt circle must be concentric and on center with the operating nut of the non-rising stem gate valve.

Mount the Wall Post Indicator

Bolt the flange of the Body (16) to the wall using 4 bolts provided by the customer.



Remove the Cover

Remove the Cover (22) by loosening the two Bolts (6) and Nuts (7). Put the Cover (22) aside.

Insert and Measure the Stem Rod

Insert the Stem (18) & Cotter Pin (19) & Crane Coupling (20) (they have been already assembled in factory) through the Wall Post Indicator Body (16) and through the wall. Assemble the Crane Coupling (20) fully with the operating nut of the non-rising stem gate valve. With the Crane Coupling (20) fully engaged on the operating nut of the non-rising stem gate valve, put a mark on the Stem (18) that is between 1.25" (32mm) below the top surface of the Body (16) but not more than 2" (50mm) above the top surface of the Body (16).

Cut the Stem

Cut the stem(18) rod at the mark made in Step 5.

Adjust the Target Plates

Adjust the "Open" Target Plates (10) such that they are squarely centered in the Windows (12) when the non-rising valve is in the fully open position, Repeat this procedure with the "Shut" Target Plates when the non-rising stem gate valve is fully closed. Adjustment is made by loosening Hex Bolt (14) and Nut (15).

Re-assemble the Cover

Put the cover (22) back onto the Body (16) such that the ears on either side on the Target Nut(21) fit into the grooves on the side edges of the Body (16). Tighten the two Nuts and Bolts (6) (7). Verify that the "Open" and "Shut" Target (10) is in the proper position by fully opening and closing the non-rising stem gate valve using the Handwheel (4). Adjust as necessary.

Maintenance

Oil the bearing in the Body (16) at least once a year by adding several drops of oil in the hole located on the top of the Operating Nut (9).