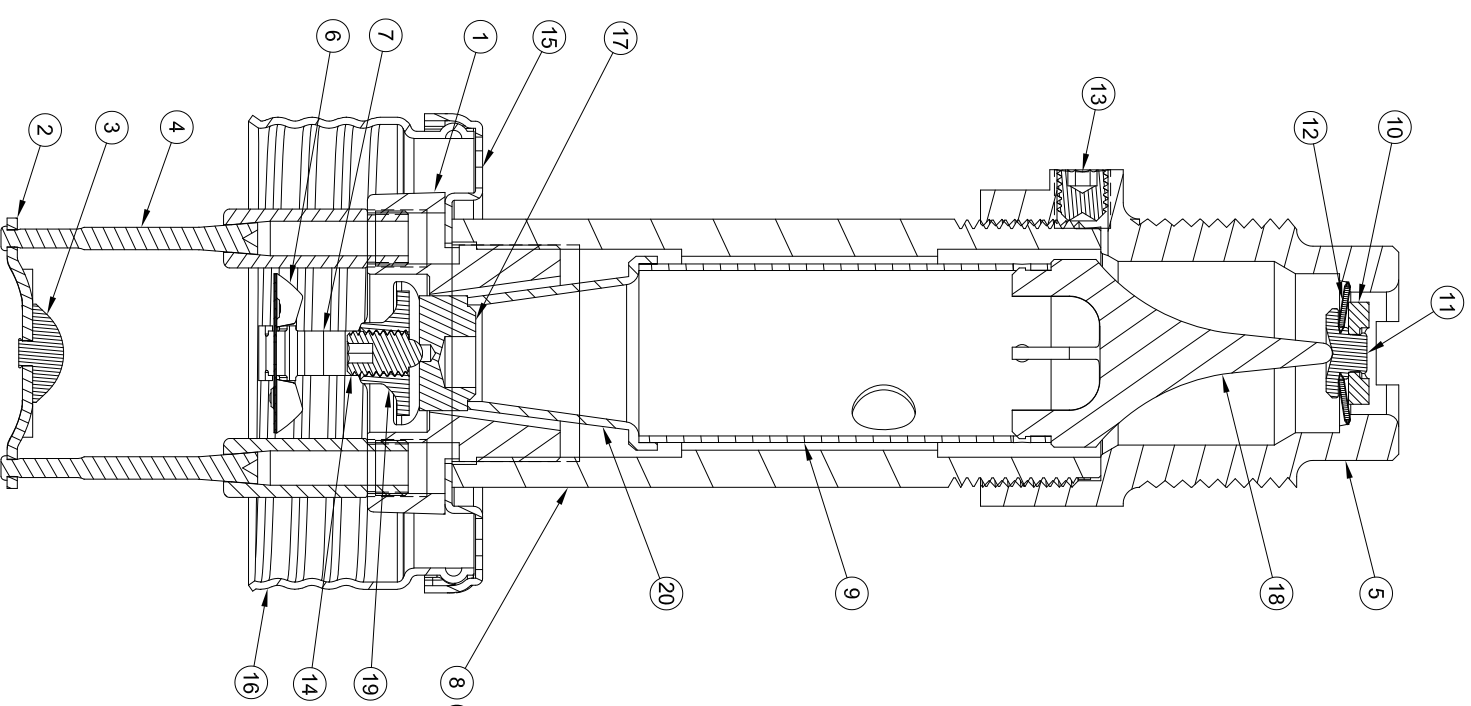


MATERIAL SPECIFICATIONS

ITEM #	DESCRIPTION	MATERIAL
1	BODY, MACH.	DZR BRASS
2	DEFLECTOR	COPPER ALLOY
3	DEFL. SPLITTER	BRASS ALLOY
4	DEFL. PIN	STAINLESS STEEL
5	MEGAINLET	DZR BRASS
6	LINK ASSY.	NICKEL/BERYLLIUM NICKEL
7	LEVER	COPPER ALLOY
8	OUTER TUBE	GALVANIZED STEEL
9	INNER TUBE	BRASS ALLOY
10	FLIP DISK	BRASS ALLOY
11	CAP	BRASS ALLOY
12	WASHER	PTFE COATED BERYLLIUM NICKEL
13	SET SCREW	STAINLESS OR ALLOY STEEL
14	LOAD SCREW	STAINLESS STEEL
15	BOTTOM CUP	GALVANIZED STEEL
16	TOP CUP	GALVANIZED STEEL
17	ADJ. SEAT ADAPTER	BRASS ALLOY
18	YOKE	BRASS ALLOY
19	CLOSURE YOKE	BRASS ALLOY
20	ORIFICE ADAPTER	BRASS ALLOY



8 (PIPE WRENCH MAY ONLY BE USED ON OUTER STEEL PIPE OF SPRINKLER)