

Reliable®

Model FA1 Grooved Flange ANSI125/150

cULus Listed, FM Approved

FA1 Grooved Flange Technical Data

Operating Specifications
Maximum Working Pressure:

See Table B

Operating Temperature

-30 °F to 230 °F (-34 °C to 110 °C)

Material Specifications
Body: ASTM A536 Grade 65-45-12 Ductile Iron

Design Specification
Groove: AWWA-C606

Flange: ASME B16.5 Class 125/150

Bolt Specification

ISO 898-1 Grad 8.8

Available Finishes
Housing:

Red powder coating

Hot dipped galvanized (ASTM A-153)

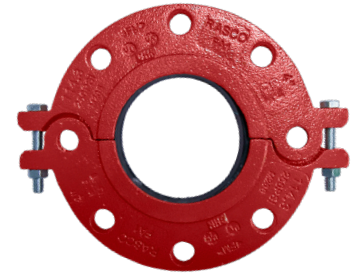
Bolts:

Zinc Electroplating

Listings and Approvals

cULus Listed

FM Approved



FA1 Grooved Flange Dimensions

Figure 1

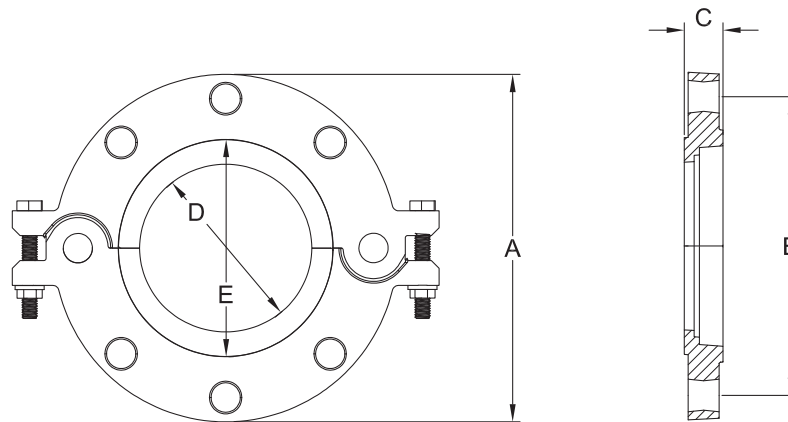


Table A

Nominal Size in (mm)	Pipe O.D. in (mm)	Max. End Load lbs (KN)	Bolts Size in	Number of Bolts	Dimensions					Weight lb (kg)
					A in (mm)	B in (mm)	C in (mm)	D in (mm)	E in (mm)	
2 (50)	2.375 (60.3)	1330 (5.71)	5/8 ¹	4	6-1/8 (155)	4-3/4 (121)	5/8 (16)	2-1/2 (65)	3-1/16 (78)	4.19 (1.90)
2-1/2 (65)	2.875 (73.0)	1950 (8.37)	5/8 ¹	4	7-1/8 (180)	5-1/2 (140)	5/8 (16)	2-1/2 (65)	3-11/16 (93)	4.87 (2.21)
3 (80)	3.500 (88.9)	2880 (12.41)	5/8 ¹	4	7-1/2 (190)	6 (153)	3/4 (18)	2-1/2 (65)	4-3/16 (107)	5.18 (2.35)
4 (100)	4.500 (114.3)	4770 (20.51)	5/8 ¹	8	9-1/16 (230)	7-1/2 (191)	7/8 (22)	2-3/4 (70)	5-3/16 (131)	7.28 (3.30)
6 (150)	6.625 (168.3)	10340 (44.47)	3/4 ¹	8	11 (280)	8-1/2 (241)	7/8 (22)	2-3/4 (70)	7-1/4 (185)	10.54 (4.78)
8 (200)	8.625 (219.1)	17520 (75.37)	3/4 ¹	8	13-11/16 (345)	11-3/4 (299)	1 (25)	3-1/8 (80)	9-1/4 (234)	6.58 (14.51)
10 (250)	10.750 (273.0)	27210 (164.71)	1 ¹	12	15-15/16 (405)	14-1/4 (362)	1-3/16 (30)	10-3/4 (273)	11-9/16 (294)	24.81 (11.25)
12 (300)	12.750 (323.9)	38280 (164.71)	1 ¹	12	19-1/8 (485)	17 (432)	1-1/4 (32)	12-3/4 (324)	13-7/16 (341)	36.93 (16.75)

Notes:

1. Use of bolting in accordance with requirements of ASME B18.31.2 or other fastener that meets the requirements of ASME B16.5 for flange applications are recommended. Use of bolting manufactured to other dimensions, specifically metric-size stud bolts and nuts may be selected at the discretion of the end-user but shall be selected to comply with EN 1759.”

FA1 Pipe Compatibility

Table B

Nominal Size in (mm)	Groove Type	Pipe	Approvals	Pressure Rating psi (bar)
2 (50)	Rolled	10	cULus, FM	300 (20.7)
	Cut, Rolled	40		
2-1/2 (65)	Rolled	10	cULus, FM	300 (20.7)
	Cut, Rolled	40		
3 (80)	Rolled	10	cULus, FM	300 (20.7)
	Cut, Rolled	40		
4 (100)	Rolled	10	cULus, FM	300 (20.7)
	Cut, Rolled	40		
6 (150)	Rolled	10	cULus, FM	300 (20.7)
	Cut, Rolled	40		
8 (200)	Rolled	10	cULus	300 (20.7)
	Cut, Rolled	40	cULus	300 (20.7)
			FM	250 (17.2)
10 (250)	Rolled	10	cULus	300 (20.7)
	Cut, Rolled	40	cULus	300 (20.7)
			FM	250 (17.2)
12 (300)	Rolled	10	cULus	300 (20.7)
	Cut, Rolled	40	cULus	300 (20.7)
			FM	250 (17.2)