



## Model GRTG1 Grooved Reducing Tee

cULus Listed, FM Approved  
300 psi (20.7 bar)

### GRTG1 Grooved Reducing Tee Technical Data

**Operating Specifications**  
**Maximum Working Pressure:**  
300 psi (20.7 bar)

**Material Specifications**  
**Body:** ASTM A536 Grade 65-45-12 Ductile Iron

**Design Specification**  
**Groove:** AWWA-C606

**Available Finishes**  
**Housing:**  
Red powder coating  
Hot dipped galvanized (ASTM A-153)

**Listings and Approvals**  
cULus Listed  
FM Approved



### GRTG1 Grooved Reducing Tee Dimensions

Figure 1

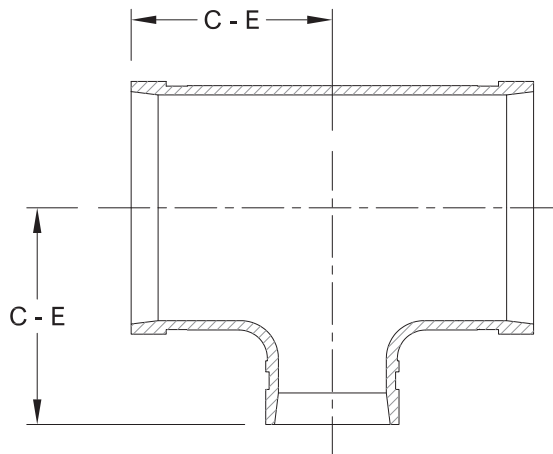


Table A

Nominal Size in (mm)	Pipe O.D. in (mm)	Dimensions	Weight lb (kg)
		C - E in (mm)	
4 x 2 (100 x 50)	4.500 x 2.375 (114.3 x 60.3)	4 (102)	5.07 (2.30)
4 x 2-1/2 (100 x 65)	4.500 x 2.875 (114.3 x 73.0)	4 (102)	6.04 (2.74)
4 x 76 mm (100 x 76)	4.500 x 76.1 (114.3 x 76.1)	4 (102)	1.25 (2.75)
4 x 3 (100 x 80)	4.500 x 3.500 (114.3 x 88.9)	4 (102)	5.73 (2.60)
165 mm x 2 (165 x 50)	6.500 x 2.375 (165.1 x 60.3)	5-1/8 (130)	12.68 (5.75)
165 mm x 76 mm (165 x 76)	6.500 x 3.000 (165.1 x 76.1)	5-1/8 (130)	13.67 (6.2)
165 mm x 3 (165 x 80)	6.500 x 3.500 (165.1 x 88.9)	5-1/8 (130)	13.67 (6.2)
165 mm x 4 (165 x 100)	6.500 x 4.500 (165.1 x 114.3)	5-1/8 (130)	13.56 (6.15)
6 x 2 (150 x 50)	6.625 x 2.375 (168.3 x 60.3)	5-1/2 (140)	12.68 (5.75)
6 x 2-1/2 (150 x 65)	6.625 x 2.875 (168.3 x 73.0)	5-1/2 (140)	13.67 (6.20)
6 x 76 mm (150 x 76)	6.625 x 3.000 (168.3 x 76.1)	5-1/2 (140)	13.67 (6.20)
6 x 3 (150 x 80)	6.625 x 3.500 (168.3 x 88.9)	5-1/2 (140)	14.22 (6.45)
6 x 4 (150 x 100)	6.625 x 4.500 (168.3 x 114.3)	5-1/2 (140)	13.56 (6.15)
8 x 4 (200 x 100)	8.625 x 4.500 (219.1 x 114.3)	6-7/8 (174)	21.17 (9.60)
8 x 165 mm (200 x 165)	8.625 x 6.500 (219.1 x 165.1)	6-7/8 (174)	5.25 (11.5)
8 x 6 (200 x 150)	8.625 x 6.625 (219.1 x 168.3)	6-7/8 (174)	25.47 (11.55)

P/N 9999970688