



Model E451/E45X1 Grooved Elbow 45° Standard Radius

cULus Listed, FM Approved
300 psi (20.7 bar)

E451/E45X1 Grooved Elbow 45° Standard Radius Technical Data

Operating Specifications
Maximum Working Pressure:
300 psi (20.7 bar)

Material Specifications
Body: ASTM A536 Grade 65-45-12 Ductile Iron

Nominal Sizes
E45X1: 1" (25 mm) - 1-1/2" (40 mm)
E451: 2" (50 mm) - 12" (300 mm)

Design Specification
Groove: AWWA-C606

Available Finishes
Housing:
Red powder coating
Hot dipped galvanized (ASTM A-153)

Listings and Approvals
cULus Listed
FM Approved



E451/E45X1 Grooved Elbow 45° Standard Radius Dimensions

Figure 1

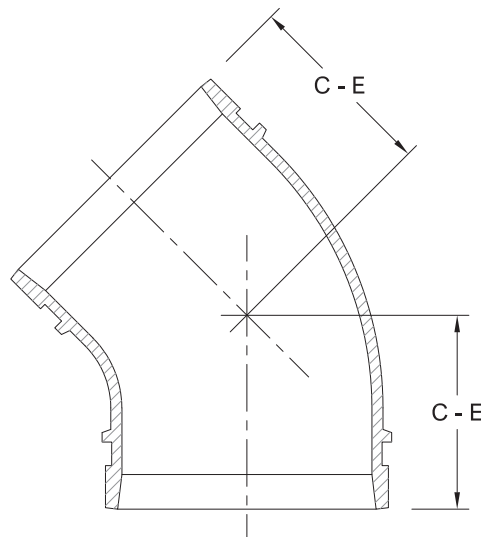


Table A

Nominal Size in (mm)	Pipe O.D. in (mm)	Dimension in (mm)	Weight lb (kg)
		C - E	
1 (25)	1.315 (33.7)	1-3/4 (45)	0.50 (0.22)
1-1/4 (32)	1.660 (42.2)	1-3/4 (45)	0.68 (0.30)
1-1/2 (40)	1.900 (48.3)	1-3/4 (45)	0.77 (0.34)
2 (50)	2.375 (60.3)	2 (51)	1.31 (0.58)
2-1/2 (65)	2.875 (73.0)	2-7/16 (62)	2.03 (0.90)
76 mm	3.000 (76.1)	2-7/16 (62)	2.03 (0.90)
3 (80)	3.500 (88.9)	2-3/4 (70)	2.48 (1.10)
4 (100)	4.500 (114.3)	3 (76)	4.16 (1.85)
139 mm	5.500 (139.7)	3-1/4 (83)	6.82 (3.1)
165 mm	6.500 (165.1)	3-1/2 (89)	8.10 (3.60)
6 (150)	6.625 (168.3)	3-1/2 (89)	8.10 (3.60)
8 (200)	8.625 (219.1)	4-1/4 (108)	14.63 (6.50)
10 (250)	10.750 (273.0)	4-3/4 (121)	34.88 (15.50)
12 (300)	12.750 (323.9)	5-1/4 (133)	49.73 (22.10)