



Model E901/E90X1 Grooved Elbow 90° Standard Radius

cULus Listed, FM Approved
300 psi (20.7 bar)

E901/E90X1 Grooved Elbow 90° Standard Radius Technical Data

Operating Specifications
Maximum Working Pressure
300 psi (20.7 bar)

Material Specifications
Body: ASTM A536 Grade 65-45-12 Ductile Iron

Nominal Sizes
E90X1: 1" (25 mm) - 1-1/2" (40 mm)
E901: 2" (50 mm) - 8" (200 mm)

Design Specifications
Groove: AWWA-C606

Available Finishes
Housing:
Red powder coating
Hot dipped galvanized (ASTM A-153)

Listings and Approvals
cULus Listed
FM Approved



E901/E90X1 Grooved Elbow 90° Standard Radius Dimensions

Figure 1

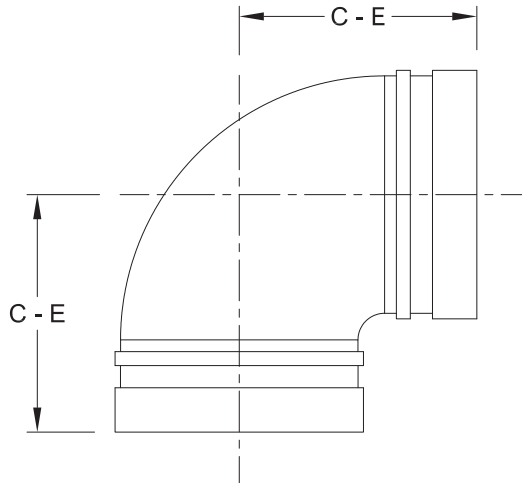


Table A

Nominal Size in (mm)	Pipe O.D. in (mm)	Dimension in (mm)	Weight lb (kg)
		C - E	
1 (25)	1.315 (33.7)	2-1/4 (57)	0.66 (0.3)
1-1/4 (32)	1.660 (42.2)	2-3/4 (70)	0.95 (0.43)
1-1/2 (40)	1.900 (48.3)	2-3/4 (70)	1.06 (0.48)
2 (50)	2.375 (60.3)	3-1/4 (83)	1.65 (0.75)
2-1/2 (65)	2.875 (73.0)	3-3/4 (95)	2.47 (1.12)
76 mm	3.000 (76.1)	3-3/4 (95)	2.47 (1.12)
3 (80)	3.500 (88.9)	4-1/4 (108)	3.31 (1.5)
4 (100)	4.500 (114.3)	5 (127)	5.20 (2.36)
139 mm	5.500 (139.7)	5-1/2 (140)	9.46 (4.3)
165 mm	6.500 (165.1)	6-1/2 (165)	13.89 (6.30)
6 (150)	6.625 (168.3)	6-1/2 (165)	13.89 (6.30)
8 (200)	8.625 (219.1)	7-3/4 (197)	22.27 (10.10)