

Reliable®

Model DR901 Grooved Drain Elbow with 1" FNPT Outlet

cULus Listed, FM Approved
300 psi (20.7 bar)

DR901 Grooved Drain Elbow with 1" FNPT Outlet Technical Data

Operating Specifications

Maximum Working Pressure:
300 psi (20.7 bar)

Material Specifications

Body: ASTM A536 Grade 65-45-12 Ductile Iron

Design Specifications

Thread: ASME B1.20.1

Groove: AWWA-C606

Available Finishes

Housing:

Standard orange paint
Hot dipped galvanized (ASTM A-153)

Listings and Approvals

cULus Listed
FM Approved



DR901 Grooved Drain Elbow with 1" FNPT Outlet Dimensions

Figure 1

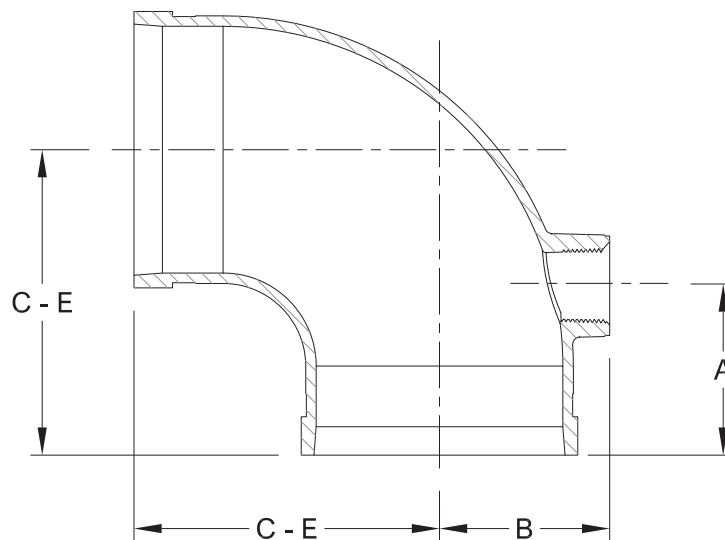


Table A

Nominal Size in (mm)	Pipe O.D. in/mm	Dimensions			Weight lb (kg)
		C - E in (mm)	A in (mm)	B in (mm)	
1-1/2 x 1 (40 x 25)	1.900 x 1.315 (48.3 x 33.7)	2-3/4 (70)	1-7/8 (48)	1-3/8 (36)	1.32 (0.60)
2 x 1 (50 x 25)	2.375 x 1.315 (60.3 x 33.7)	3-1/4 (83)	2-3/4 (70)	1-1/2 (38)	1.92 (0.87)
2-1/2 x 1 (65 x 25)	2.875 x 1.315 (73.0 x 33.7)	3-3/4 (95)	2-3/4 (70)	1-3/4 (45)	2.73 (1.24)
3 x 1 (80 x 25)	3.500 x 1.315 (88.9 x 33.7)	4-1/4 (108)	2-3/4 (70)	2-3/16 (55)	4.28 (1.94)
4 x 1 (100 x 25)	4.500 x 1.315 (114.3 x 33.7)	5 (127)	2-3/4 (70)	2-11/16 (69)	5.40 (2.45)
6 x 1 (150 x 25)	6.625 x 1.315 (168.3 x 33.7)	6-1/2 (165)	2-3/4 (70)	3-3/4 (96)	14.44 (6.55)