

# Reliable®

## Model EOR1 End Elbow 90° FNPT

cULus Listed, FM Approved  
300 psi (20.7 bar)

### EOR1 End Elbow 90° Technical Data

#### Operating Specifications

**Maximum Working Pressure:**  
300 psi (20.7 bar)

#### Material Specifications

**Body:** ASTM A536 Grade 65-45-12 Ductile Iron

#### Design Specifications

**Thread:** ASME B1.20.1  
**Groove:** AWWA-C606

#### Available Finishes

##### Housing:

Standard orange paint  
Hot dipped galvanized (ASTM A-153)

#### Listings and Approvals

cULus Listed  
FM Approved



### EOR1 End Elbow 90° Dimensions

Figure 1

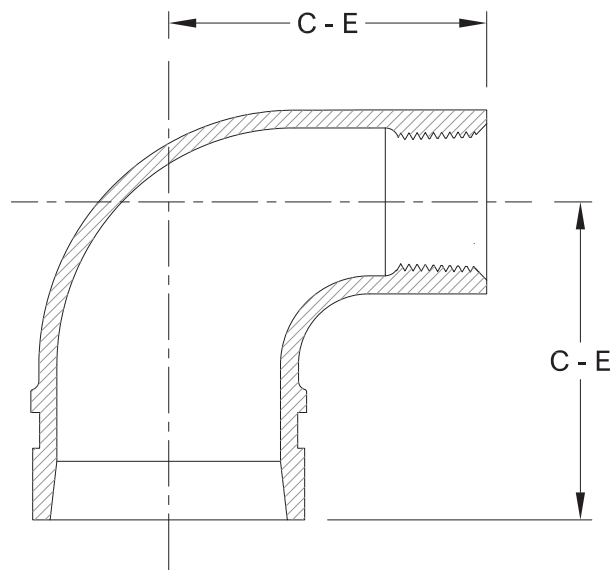


Table A

Nominal Size in (mm)	Pipe O.D. in (mm)	Nominal Pipe Thread Size in (mm)	Dimension C - E in (mm)	Weight lb (kg)
1-1/4 (32)	1.660 (42.2)	1/2 (15)	2-3/8 (61)	0.77 (0.35)
1-1/4 (32)	1.660 (42.2)	3/4 (20)	2-3/8 (61)	0.88 (0.40)
1-1/4 (32)	1.660 (42.2)	1 (25)	2-3/8 (61)	0.88 (0.40)
1-1/2 (40)	1.900 (48.3)	1/2 (15)	2-1/2 (64)	0.88 (0.40)
1-1/2 (40)	1.900 (48.3)	3/4 (20)	2-1/2 (64)	0.93 (0.42)
1-1/2 (40)	1.900 (48.3)	1 (25)	2-1/2 (64)	1.06 (0.48)
2 (50)	2.375 (60.3)	1/2 (15)	2-3/4 (70)	0.84 (0.38)
2 (50)	2.375 (60.3)	3/4 (20)	2-3/4 (70)	0.90 (0.41)
2 (50)	2.375 (60.3)	1 (25)	2-3/4 (70)	1.32 (0.60)

P/N 9999970639