

Reliable®

Model REL363W & REL363WC Wafer Body Butterfly Valve

cULus Listed, FM Approved
363 psi (25 bar)

Product Description

The Reliable butterfly valves are cULus Listed and FM Approved for fire protection systems. Reliable REL363W and REL363WC butterfly valves have ASME B16.34 / MSS SP-44 wafer lug end connections. The Model REL363W butterfly valve is supervised in the open position and the Model REL363WC butterfly valve is supervised in the closed position. They are available in 2-1/2" (65 mm), 3" (80 mm), 4" (100 mm), 5" (125 mm), 6" (150 mm), and 8" (200 mm) nominal sizes. The valves are listed for 363 psi (25 bar) working pressure. The maximum working temperature for the valves is 212°F (100°C). These valves are available with two options for the wire harness: a standard 9" (0.23 m) set of wire leads, and a 39" (1 m) extended-length set of wire leads.

Verify compatibility of the Model 363W/WC materials with the water supply and the environment where the valve will be used prior to installation.

Maintenance

The owner is responsible for maintaining the fire protection system in proper operating condition. Any system maintenance or testing that involves placing a control valve out of service will eliminate the fire protection that is provided by the fire protection system.

The Reliable Supervised Butterfly valves and associated equipment shall periodically be given a thorough inspection and test. NFPA 25, "Inspection, Testing and Maintenance of Water Based Fire Protection Systems," provides minimum maintenance requirements.

2" (50mm) through 8" (200mm) valves require approximately 10 full turns to move the valve from fully open to closed (or vice versa), at which time a mechanical stop will be encountered. Any attempt to further open or close the valve beyond the mechanical stop may result in damage to the valve.

See [Technical Bulletin 840](#) for instructions on adjustment of mechanical stops if the butterfly seal does not fully seat with the valve handle in the closed position.

Guarantee

For Reliable Automatic Sprinkler Co., Inc. guarantee, terms, and conditions, visit www.reliablesprinkler.com.



Model REL363W Butterfly Valve - Supervised Normally Open



Model REL363WC Butterfly Valve - Supervised Normally Closed

Ordering Information

Specify the following when ordering:

Supervision

- Supervised Normally Open (Yellow Indicator, Red Actuator)
- Supervised Normally Closed (Red Indicator, Yellow Actuator)

Valve Size

- 2-1/2" (65mm)
- 3" (80 mm)
- 4" (100 mm)
- 5" (125 mm)
- 6" (150 mm)
- 8" (200 mm)

Wire Harness Length

- Standard: 9" (0.23 m)
- Optional: 39" (1 m)

Reliable Model REL363W and REL363WC Butterfly Valve

Technical Specifications

Pressure Rating:
363 psi (25 bar)

Material Specifications

Upper Stem: Stainless Steel ASTM A 276 Type 420
Upper Bearing: PTFE Bronze Sintered on Steel
Stem Seal O-Ring: EPDM
Body: Ductile Iron ASTM A 395, Epoxy Coated
Disc: Ductile Iron ASTM A 395 with EPDM Encapsulation
Lower Bearing: PTFE Bronze Sintered on Steel
Lower Stem: Stainless Steel ASTM A 276 Type 420
Dust Plug: PVC
Name Plate: Aluminum
Gear Operator: Cast Iron and Steel
Indicator Flag: Steel
Handwheel: Cast Iron
Cable Gland: Nickel plated brass
Plug: Carbon Steel (Zinc-plated)

Specifications

Valve Outlet: ASME B16.34/MSS SP-44

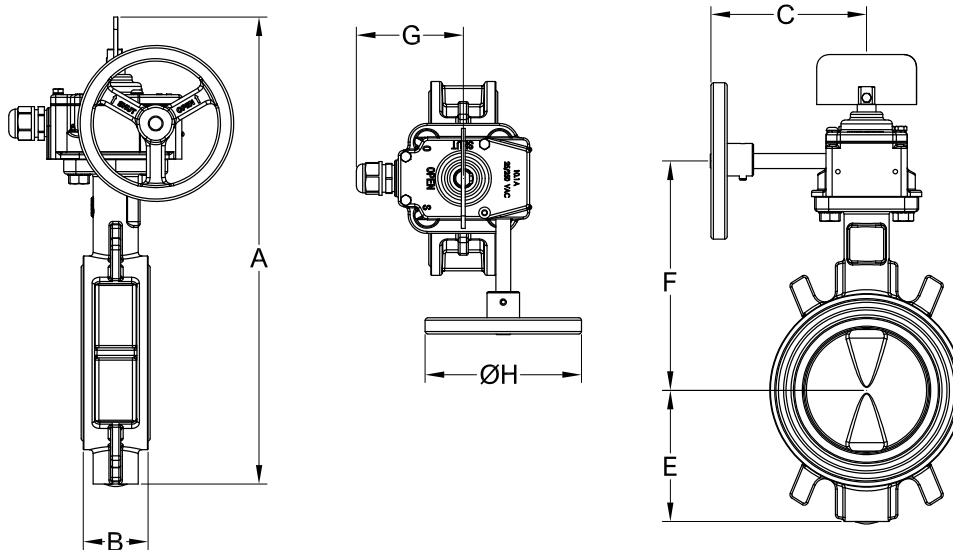
Listings and Approvals

cULus Listed
 FM Approved



Reliable Model REL363W and REL363WC Butterfly Valve Dimensions

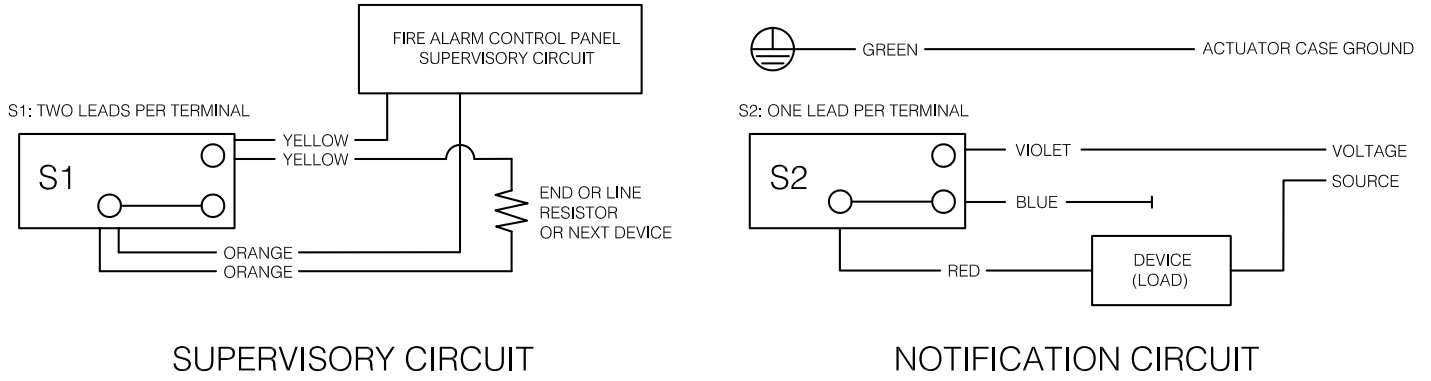
Figure 1



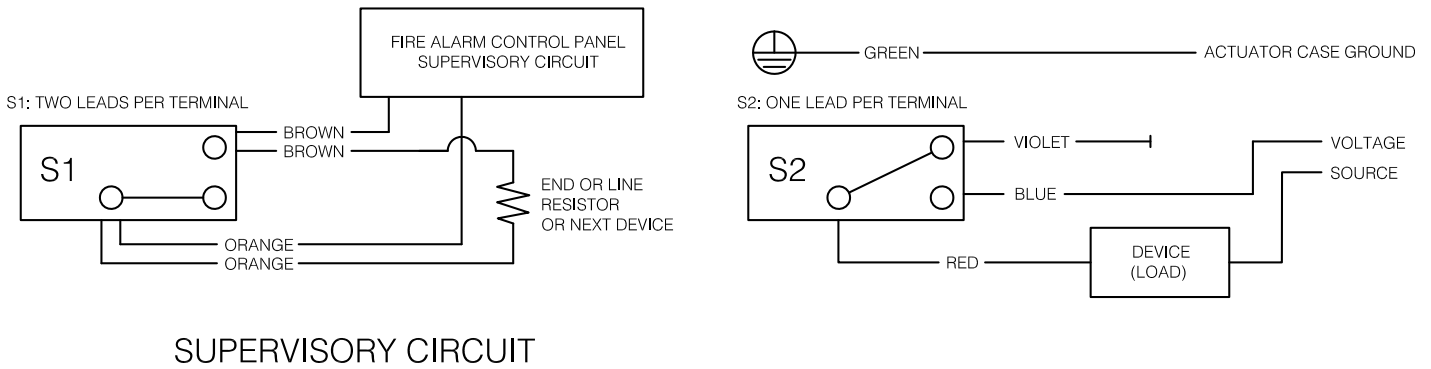
Model REL363W and REL363WC Dimensions - in. (mm)

Table A

Nominal Size	A	B	C	E	F	G	H	Weight lb (kg)
2-1/2" (65)	12-3/8 (314)	1-7/8 (46)	4-15/16 (125)	2-15/16 (75)	6-1/16 (154)	3-3/8 (85)	4-1/4 (108)	10.8 (4.9)
3" (80)	13-1/4 (337)	1-7/8 (46)	4-15/16 (125)	3-1/2 (90)	6-7/16 (163)	3-3/8 (85)	4-1/4 (108)	12.1 (5.5)
4" (100)	14-5/8 (373)	2-1/16 (52)	4-15/16 (125)	4-1/8 (105)	7-1/4 (183)	3-3/8 (85)	4-15/16 (125)	15.6 (7.1)
5" (125)	16-1/8 (410)	2-1/4 (56)	6-5/8 (168)	4-13/16 (122)	8-1/8 (207)	3-5/8 (92)	5-15/16 (150)	25.4 (11.5)
6" (150)	17-1/8 (435)	2-1/4 (56)	6-5/8 (168)	5-5/16 (135)	8-5/8 (219)	3-5/8 (92)	5-15/16 (150)	28.4 (12.9)
8" (200)	19-7/16 (494)	2-3/8 (60)	6-5/7 (168)	6-1/2 (165)	9-3/4 (248)	3-5/8 (92)	5-15/16 (150)	42.1 (19.1)



- NOTES:
1. WIRING SHOWN IS FOR NORMALLY OPEN CIRCUITS.
 2. CAP ALL ENDS OF UNUSED WIRES.
 3. SWITCH RATING: 10.1A, 125/250 VAC



- NOTES:
1. WIRING SHOWN IS FOR NORMALLY OPEN CIRCUITS.
 2. CAP ALL ENDS OF UNUSED WIRES.
 3. SWITCH RATING: 10.1A, 125/250 VAC