



Model REL300GT & REL300GTC Butterfly Valve / Grooved Tapped Body

cULus Listed, FM Approved
300 psi (20.7 bar)

Product Description

The Reliable Supervised Butterfly valves are cULus Listed and FM Approved for fire protection systems. Reliable Supervised Butterfly Valves valves have AWWA C606 grooved end connections. They are available in 2-1/2" (65 mm), 76 mm, 3" (80 mm), 4" (100 mm), 5" (125 mm), 6" (150 mm), 165 mm, 8" (200 mm), and 10" (250 mm) nominal sizes. The valves are listed for 300 psi (20.7 bar) working pressure. The maximum working temperature for the valves is 212°F (100°C). The valve bodies come equipped with a plugged, tapped port on the supply and discharge side of the disc. These valves are available with two options for the wire harness: a standard 9" (0.23 m) set of wire leads, and a 39" (1 m) extended-length set of wire leads where required for international use. Verify compatibility of the Model REL300GT and REL300GTC butterfly valve materials with the water supply and the environment where the valve will be installed prior to installation.

Maintenance

The owner is responsible for maintaining the fire protection system in proper operating condition. Any system maintenance or testing that involves placing a control valve out of service will eliminate the fire protection that is provided by the fire protection system.

The Reliable Supervised Butterfly valves and associated equipment shall periodically be given a thorough inspection and test. NFPA 25, "Inspection, Testing and Maintenance of Water Based Fire Protection Systems," provides minimum maintenance requirements.

Ordering Information

Specify the following when ordering:

Supervision

- REL300GT (Normally Open Valve)
- REL300GTC (Normally Closed Valve)

Valve Size

- 2" (50 mm)
- 2-1/2" (65 mm)
- 76 mm
- 3" (80 mm)
- 4" (100 mm)
- 5" (125 mm)
- 6" (150 mm)
- 165 mm
- 8" (200 mm)
- 10" (250 mm)

Wire Harness Length

- Standard: 9" (0.23 m)
- Optional [EMEA and APAC Only]: 39" (1 m)



Model REL300GT Butterfly Valve - Supervised Normally Open



Model REL300GTC Butterfly Valve - Supervised Normally Closed

Guarantee

For Reliable Automatic Sprinkler Co., Inc. guarantee, terms, and conditions, visit www.reliablesprinkler.com.

Reliable Model REL300GT and REL300GTC Butterfly Valve

Technical Specifications

Pressure Rating:
300 psi (20.7 bar)

Material Specifications

Upper Stem: Stainless Steel ASTM A 276 Type 420
Upper Bearing: PTFE Bronze Sintered on Steel
O-Ring: EPDM
Body: Ductile Iron ASTM A 395, Epoxy Coated
Disc: Ductile Iron ASTM A 395 with EPDM Encapsulation
Lower Bearing: PTFE Bronze Sintered on Steel
Lower Stem: Stainless Steel ASTM A 276 Type 420
Dust Plug: PVC
Name Plate: Aluminum
Gear Operator: Cast Iron and Steel
Indicator Flag: Steel
Handwheel: Cast Iron
Cable Gland: Nickel plated brass
Plug: Carbon Steel (Zinc-plated)

Specifications

Groove Inlet: AWWA C 606

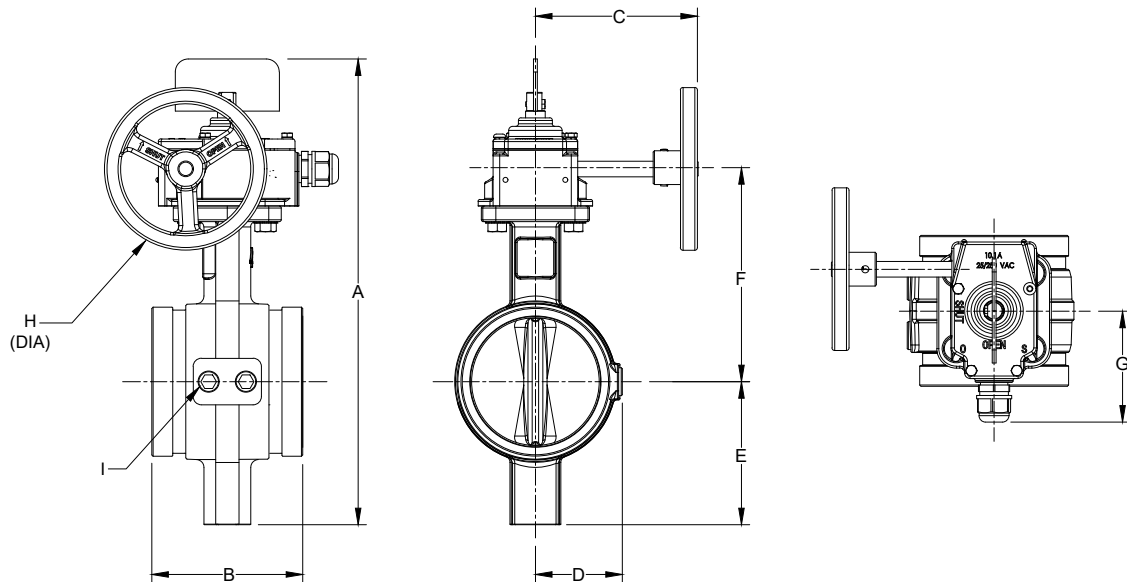
Listings and Approvals

cULus Listed
FM Approved



Reliable Model REL300GT and REL300GTC Butterfly Valve Dimensions

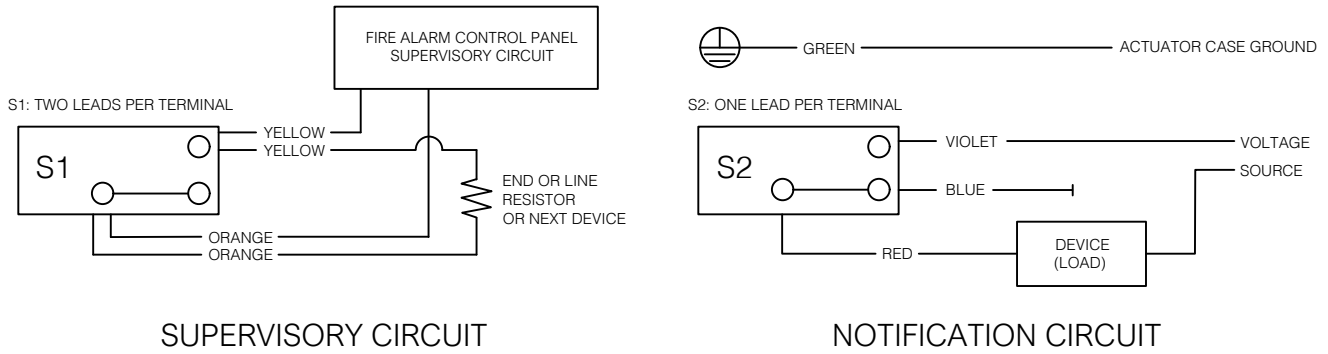
Figure 1



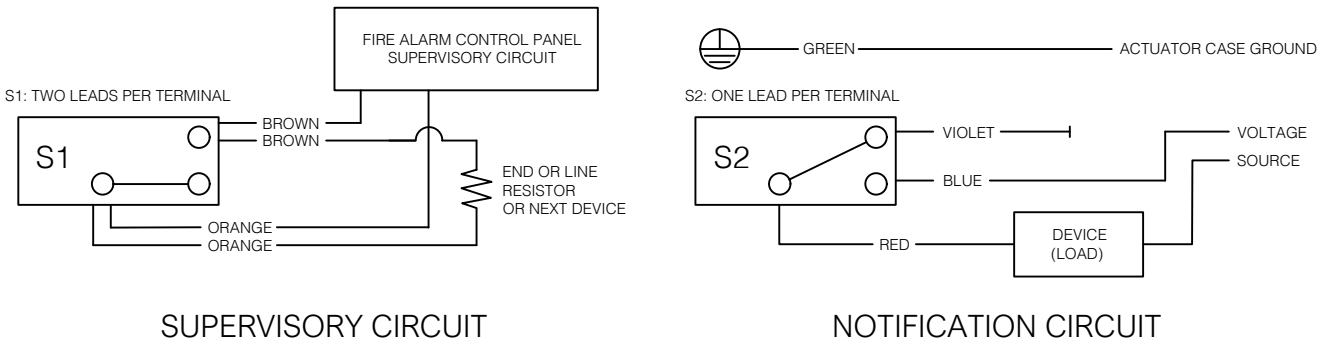
Grooved Dimensions - in. (mm)

Table A

Nominal Size	A	B	C	D	E	F	G	H	I	Weight lb (kg)
2" (50)	9-15/16 (252)	3-7/8 (98)	4-15/16 (125)	1-9/16 (40)	2-3/8 (60)	4-1/4 (108)	3-3/8 (85)	4-1/4 (108)	3/8 NPT	9 (4.1)
2-1/2" (65) 76 mm	11-1/4 (285)	3-7/8 (98)	4-15/16 (125)	1-3/4 (45)	2-15/16 (75)	4-15/16 (125)	3-3/8 (85)	4-1/4 (108)	3/8 NPT	11 (5)
3" (80)	12-3/16 (310)	3-7/8 (98)	4-15/16 (125)	2 (52)	3-9/16 (90)	5-1/4 (134)	3-3/8 (85)	4-1/4 (108)	3/8 NPT	12.5 (5.7)
4" (100)	14-3/16 (360)	4-9/16 (116)	4-15/16 (125)	2-1/2 (63)	4-5/16 (110)	6-7/16 (164)	3-3/8 (85)	4-15/16 (125)	1/2 NPT	17.5 (7.9)
5" (125)	15-5/16 (390)	5-7/8 (149)	6-5/8 (168)	3-1/8 (79)	5 (127)	7-3/16 (182)	3-5/8 (92)	5-7/8 (150)	1/2 NPT	30 (13.6)
6" (150) 165 mm	16-3/4 (425)	5-7/8 (149)	6-5/8 (168)	3-9/16 (91)	5-11/16 (145)	7-13/16 (199)	3-5/8 (92)	5-7/8 (150)	1/2 NPT	33.3 (15.1)
8" (200)	19-7/16 (493)	5-1/4 (134)	6-5/8 (168)	4-5/8 (118)	6-7/8 (175)	9-3/8 (238)	3-5/8 (92)	5-7/8 (150)	1/2 NPT	45.2 (20.5)
10" (250)	22-3/4 (578)	6-5/16 (160)	9-7/16 (240)	5-5/8 (144)	8-1/4 (210)	11-3/16 (284)	3-15/16 (100)	9-13/16 (250)	1/2 NPT	79.9 (36.3)



- NOTES:
1. WIRING SHOWN IS FOR NORMALLY OPEN CIRCUITS.
 2. CAP ALL ENDS OF UNUSED WIRES.



- NOTES:
1. WIRING SHOWN IS FOR NORMALLY OPEN CIRCUITS.
 2. CAP ALL ENDS OF UNUSED WIRES.