

Reliable®

Model REL-BLFM1 1/4" Full Port Quarter-Turn Ball Valve

cULus Listed

Product Description

Reliable Model REL-BLFM1 full port brass ball valves include a MNPT outlet and FNPT outlet. This valve is suitable for use with pressure gauges that have a 1/4" MNPT threaded connection and can be installed in any 1/4" FNPT threaded outlet. The REL-BLFM1 valve outlets and bore are all 1/4" NPT. This valve features a forged brass alloy body and bonnet / end cap. The REL-BL600 ball valve is designed with a blowout proof stem for an enhanced level of robustness and is rated for 600 psi (41.4 bar) working pressure.

Installation

The Reliable Model REL-BLFM1 1/4" Full Port Quarter-Turn Ball Valve shall be installed in accordance with NFPA 13, "Standard for the Installation of Sprinkler Systems," as well as the requirements of any authorities having jurisdiction. Verify compatibility of the Full Port Ball Valve materials with the water supply and the environment where the valve will be installed prior to installation.

Maintenance

The owner is responsible for maintaining the fire protection system in proper operating condition. Any system maintenance or testing that involves placing a control valve out of service will eliminate the fire protection that is provided by the fire protection system.

The Reliable Model REL-BLFM1 1/4" Full Port Quarter-Turn Ball Valve shall periodically be given a thorough inspection and test. NFPA 25, "Inspection, Testing and Maintenance of Water Based Fire Protection Systems," provides minimum maintenance requirements. Inspect the valve for corrosion, damage, and wear as required and replace as necessary. Increase the frequency of inspections when the valve is exposed to corrosive conditions or chemicals that could impact the valve materials.



Model REL-BLFM1 1/4" Full Port Quarter-Turn Ball Valve
with MNPT x FNPT Outlets

Guarantee

For The Reliable Automatic Sprinkler Co. Inc. guarantee, terms, and conditions, visit www.reliablesprinkler.com.

Ordering Information

Specify the following when ordering:

**Reliable Model REL-BLFM1 1/4" Full Port Quarter-Turn
Ball Valve with MNPT x FNPT Outlets for Pressure Gauge
Applications**

Model REL-BLFM1 1/4" Full Port Quarter-Turn Ball Valve

Technical Specifications

Pressure Rating: 600 psi (41.4 bar) CWP

Temperature Rating: -20°F to 300°F (-29°C to 149°C)

End Connections

Female NPT per ASME B1.20.1

Male NPT per ASME B1.20.1

Material Specifications

Body: Brass Alloy

MNPT Bonnet / End Cap: Brass Alloy

Seat: Virgin PTFE

Ball: Brass Alloy

Stem: Brass Alloy

Stem Packing: Virgin PTFE

Stem Packing Nut: Brass Alloy

Stem Secondary Seal (o-ring): Nitrile / Buna-N Elastomer

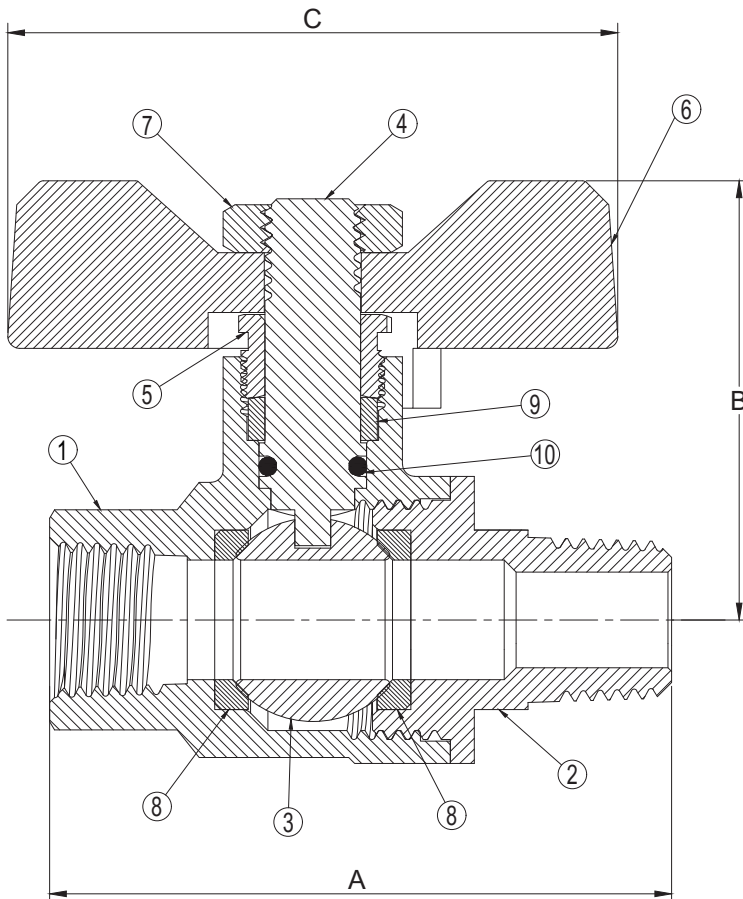
Handle Lock Nut: EN S235 Carbon steel with zinc electroplating

Valve Handle: EN S235 Carbon steel (painted)



Model REL-BLFM1 1/4" Full Port Quarter-Turn Ball Valve Dimensions

Figure 1



Item Number	Item Description
1	Valve Body
2	Valve MNPT End Cap / Bonnet
3	Ball
4	Valve Stem
5	Valve Stem Packing Stuffing Nut
6	Valve Handle
7	Valve Handle Lock Nut
8	Valve Seat
9	Valve Stem Packing
10	Valve Stem Secondary O-ring Seal

Dimensions in. (mm)

Table A

Valve Size	A	B	C
1/4" (8)	2-1/16" (52)	1-9/16" (39)	2-1/16" (52)