

Reliable®

Model REL-FCV-L501F Flanged Swing Check Valve

cULus Listed, FM Approved
300 psi (20.7 bar)

Product Description

Reliable Model REL-FCV-L501F single swing check valves are low friction loss check valves approved for use in fire protection systems. These are used in fire protection systems to allow water-flow in one direction only. Typical applications include connections between public water supplies and private fire systems, at the discharge from fire pumps, at gravity tank connections and at fire department pumper connections.

Maintenance

The owner is responsible for maintaining the fire protection system in proper operating condition. Any system maintenance or testing that involves placing a control valve out of service will eliminate the fire protection that is provided by the fire protection system.

The Reliable flanged swing check valves and associated equipment shall periodically be given a thorough inspection and test. NFPA 25, "Inspection, Testing and Maintenance of Water Based Fire Protection Systems," provides minimum maintenance requirements.

Installation

The Reliable Model REL-FCV-L501F Swing Check Valve shall be installed in accordance with NFPA 13, "Standard for the Installation of Sprinkler Systems," as well as the requirements of any authorities having jurisdiction. Verify compatibility of the Model REL-FCV-L501F materials with the water supply and the environment where the valve will be installed prior to installation. Do not apply lubricants, sealants, or other chemicals to the clapper seal or seat.

Guarantee

For Reliable Automatic Sprinkler Co., Inc. guarantee, terms, and conditions, visit www.reliablesprinkler.com.



Flanged Swing Check Valve

Ordering Information

Specify the following when ordering:

Model

- REL-FCV-L501F

Valve Size

- 2" (50 mm)
- 2-1/2" (65 mm)
- 3" (80 mm)
- 4" (100 mm)
- 5" (125 mm)
- 6" (150 mm)
- 8" (200 mm)
- 10" (250 mm)
- 12" (300 mm)

End Connection

- Raised Flanges ANSI B16.1 Class 150
- Flanges EN1092-2 PN10 (2" to 6")
- Flanges EN1092-2 PN16 (All sizes)

Reliable Model REL-FCV-L501F Flanged Swing Check Valve

Technical Specifications

Pressure Rating:
300 psi (20.7 bar)

Material Specifications

Body: ASTM Gr A536 65-45-12 Ductile Iron
Bonnet: ASTM Gr A536 65-45-12 Ductile Iron
Clapper: ASTM Gr A536 65-45-12 Ductile Iron with EPDM rubber
Clapper Arm: ASTM Gr A536 65-45-12 Ductile Iron
Hinge Pin: ASTM A276 Stainless Steel (equivalent to AISI 304)
Seat: ASTM B584 Gr C84400 Red Brass

Product Design & Performance Specifications

AWWA C508
 UL 312
 FM 1210

End Connections

Raised Flanges ANSI B16.42 Class 150
 Flanges EN1092-2 PN10 (2" to 6")
 Flanges EN1092-2 PN16 (All sizes)

Coatings

Red paint

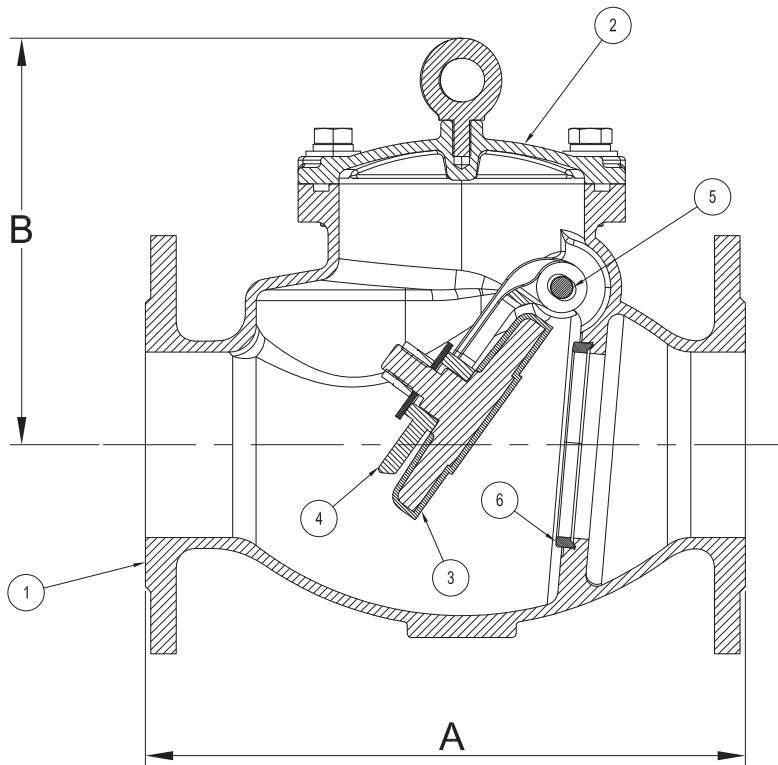
Listings and Approvals

cULus Listed
 FM Approved



Reliable Model REL-FCV-L501F Flanged Swing Check Valve Specification and Dimensions

Figure 1



Item Number	Item Description
1	Body
2	Bonnet
3	Clapper
4	Clapper Arm
5	Hinge Pin
6	Seat

Dimensions in. (mm) and Weights lbs (kg)

Table A

Valve Size	A	B	Weight
2" (50)	8" (203)	4-5/8" (117)	24 (10.8)
2-1/2" (65)	10" (254)	5-1/16" (128)	35 (15.75)
3" (80)	11" (279)	5-1/4" (133)	44 (19.8)
4" (100)	13" (330)	8-3/4" (223)	67 (30.6)
5" (125)	14" (356)	11-7/16" (290)	115 (52.2)
6" (150)	16" (406)	11-11/16" (297)	134 (60.57)
8" (200)	19-1/2" (495)	14-3/8" (365)	238 (108)
10" (250)	22" (559)	16-5/16" (418)	345 (156.6)
12" (300)	26" (660)	17-13/16" (453)	488 (221.4)