



## Model L388 Resilient Seated NRS Gate Valve

cULus Listed, FM Approved

### Product Description

The Reliable Model L388 Non-Rising Stem Gate Valves are UL Listed and FM Approved resilient seated indicating control valves for fire protection systems when equipped with a listed yard or wall indicator post. Reliable L388 NRS Gate Valves have AWWA C 606 grooved end connections or ANSI B 16.1 Class 150 flanged end connections. They are available in 2-1/2" (65 mm), 3" (80 mm), 4" (100 mm), 6" (150 mm), 8" (200 mm), 10" (250 mm), and 12" (300 mm) nominal sizes. The valves are listed for 300 psi (20.7 bar) working pressure. Verify that appropriate end connections and fittings are used for the system pressure prior to use.

### Maintenance

The owner is responsible for maintaining the fire protection system in proper operating condition. Any system maintenance or testing that involves placing a control valve out of service will eliminate the fire protection that is provided by the fire protection system.

The Reliable Non-Rising Stem Gate Valve shall periodically be given a thorough inspection and test. NFPA 25, "Inspection, Testing and Maintenance of Water Based Fire Protection Systems," provides minimum maintenance requirements. Inspect the valve for corrosion, damage, and wear as required and replace as necessary. Increase the frequency of inspections when the valve is exposed to corrosive conditions or chemicals that could impact the valve materials.

### Ordering Information

Specify the following when ordering:

#### Reliable Model L388 Non-Rising Stem Gate Valve End Connection

- Flange x Flange
- Flange x Groove
- Groove x Groove

#### Valve Size

- 2-1/2" (65 mm)
- 3" (80 mm)
- 4" (100 mm)
- 6" (150 mm)
- 8" (200 mm)
- 10" (250 mm)
- 12" (300 mm)



Model REL-PIV-L388F  
Flange x Flange



Model REL-PIV-L388FG  
Flange x Groove



Model REL-PIV-L388GG  
Groove x Groove

### Guarantee

For Reliable Automatic Sprinkler Co., Inc. guarantee, terms, and conditions, visit [www.reliablesprinkler.com](http://www.reliablesprinkler.com).

### End Configuration Options

Table A

Model	End Connections	Sizes in (mm)	Approvals
REL-PIV-L388F	Flange x Flange	2-1/2" (65), 3" (80), 4" (100), 6" (150), 8" (200), 10" (250), 12" (300)	cULus Listed, FM Approved
REL-PIV-L388FG	Flange x Groove		
REL-PIV-L388GG	Groove x Groove		

## Model L388 Non-Rising Stem Gate Valve

### Technical Specifications

**Pressure Rating:**  
300 psi (20.7 bar)

### Material Specifications

**Body:** ASTM A536 65-35-12 Ductile Iron  
**Gate:** ASTM A536 65-45-12 + EPDM Ductile Iron  
**Stem:** AISI SS304/SS302 Stainless Steel  
**Bonnet:** ASTM A536 65-45-12 Ductile Iron  
**Thrust Collar:** ASTM C51100 Bronze  
**Gland:** ASTM A536 65-45-12 Ductile Iron  
**Gate Nut:** ASTM B62 Bronze  
**O-Ring:** EPDM  
**Dustproof cover:** EPDM  
**Post flange:** ASTM A536 65-45-12 Ductile Iron  
**Wrench nut:** ASTM A536 65-45-12 Ductile Iron  
**Plug:** ASTM B16 Bronze  
**Washer:** ASTM SS316 Stainless Steel  
**Hex Socket Cap Screw:** GR 8.8 Carbon Steel  
**Gasket:** EPDM  
**Nut:** ASTM SS316 Stainless Steel  
**Studs:** ASTM SS316 Stainless Steel  
**Spring Washer:** ASTM SS316 Stainless Steel

### End Connections

Groove x Groove (REL-PIV-L388GG)  
 Flange x Groove (REL-PIV-L388FG)  
 Flange x Flange (REL-PIV-L388F)

### Specifications

Flange: ANSI B16.1 Class 150  
 Groove: AWWA C606

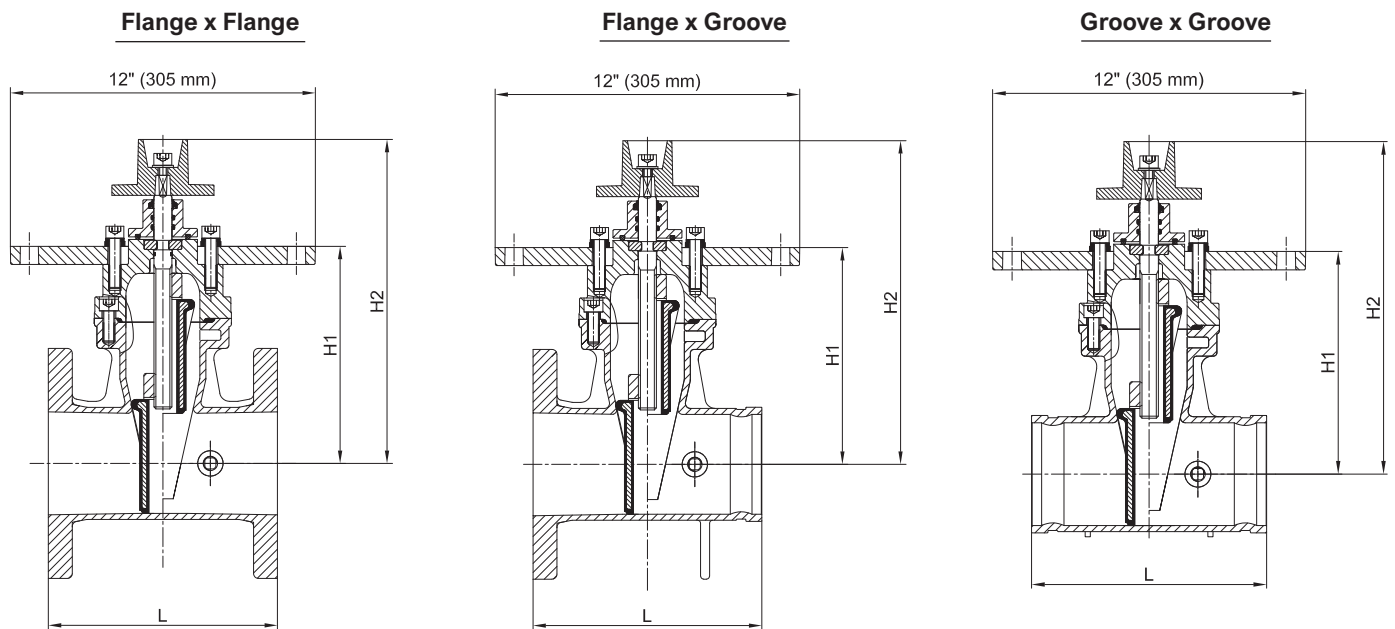
### Listings and Approvals

cULus Listed  
 FM Approved



## Model L388 Non-Rising Stem Gate Valve Dimensions

Figure 1



## Model L388 Non-Rising Stem Gate Valve Dimensions - in. (mm)

Table B

Size	L in (mm)	H1 in (mm)	H2 in (mm)	Tap Size	Weight
2-1/2" (65 mm)	7-1/2" (191)	6-13/16" (173)	11" (279)	1/2" NPT	56 lbs (25.3 kg)
3" (80 mm)	8" (203)	7-5/8" (193)	12" (305)	1/2" NPT	61 lbs (27.5 kg)
4" (100 mm)	9" (229)	8-9/16" (217)	12-3/4" (324)	1/2" NPT	77 lbs (35 kg)
6" (150 mm)	10-1/2" (267)	12-5/16" (312)	16-7/8" (428)	3/4" NPT	110 lbs (50 kg)
8" (200 mm)	11-1/2" (292)	15-5/8" (397)	21-1/8" (537)	3/4" NPT	183 lbs (83 kg)
10" (250 mm)	13" (330)	19-3/8" (492)	25-3/16" (640)	1" NPT	272 lbs (123.5 kg)
12" (300 mm)	14" (356)	22-3/4" (578)	28-1/2" (723)	1" NPT	387 lbs (175.5 kg)