

Reliable®

Model L388 Non-Rising Stem Gate Valve

cULus Listed, FM Approved

Product Description

The Reliable Model L388 Non-Rising Stem Gate Valves are UL Listed and FM Approved indicating control valves for fire protection systems when equipped with a listed yard or wall indicator post. Reliable L388 NRS Gate Valves have AWWA C 606 grooved end connections or ANSI B 16.1 Class 150 flanged end connections. They are available in 2-1/2" (65 mm), 3" (80 mm), 4" (100 mm), 6" (150 mm), 8" (200 mm), 10" (250 mm), and 12" (300 mm) nominal sizes. The valves are listed for 300 psi (20.7 bar) working pressure. Verify that appropriate end connections and fittings are used for the system pressure prior to use.

Maintenance

The owner is responsible for maintaining the fire protection system in proper operating condition. Any system maintenance or testing that involves placing a control valve out of service will eliminate the fire protection that is provided by the fire protection system.

The Reliable Non-Rising Stem Gate Valve shall periodically be given a thorough inspection and test. NFPA 25, "Inspection, Testing and Maintenance of Water Based Fire Protection Systems," provides minimum maintenance requirements. Inspect the valve for corrosion, damage, and wear as required and replace as necessary. Increase the frequency of inspections when the valve is exposed to corrosive conditions or chemicals that could impact the valve materials.

Ordering Information

Specify the following when ordering:

Reliable Model L388 Non-Rising Stem Gate Valve End Connection

- Flange x Flange
- Flange x Groove
- Groove x Groove

Valve Size

- 2-1/2" (65 mm)
- 3" (80 mm)
- 4" (100 mm)
- 6" (150 mm)
- 8" (200 mm)
- 10" (250 mm)
- 12" (300 mm)



Model REL-PIV-L388F
Flange x Flange



Model REL-PIV-L388FG
Flange x Groove



Model REL-PIV-L388GG
Groove x Groove

Guarantee

For Reliable Automatic Sprinkler Co., Inc. guarantee, terms, and conditions, visit www.reliablesprinkler.com.

End Configuration Options

Table A

| Model | End Connections | Sizes in (mm) | Approvals |
|----------------|-----------------|--|---------------------------|
| REL-PIV-L388F | Flange x Flange | 2-1/2" (65), 3" (80), 4" (100), 6" (150), 8" (200), 10" (250), 12" (300) | cULus Listed, FM Approved |
| REL-PIV-L388FG | Flange x Groove | | |
| REL-PIV-L388GG | Groove x Groove | | |

Model L388 Non-Rising Stem Gate Valve

Technical Specifications

Pressure Rating:
300 psi (20.7 bar)

Material Specifications

Body: ASTM A536 65-35-12 Ductile Iron
Gate: ASTM A536 65-45-12 + EPDM Ductile Iron
Stem: AISI SS304/SS302 Stainless Steel
Bonnet: ASTM A536 65-45-12 Ductile Iron
Thrust Collar: ASTM C51100 Bronze
Gland: ASTM A536 65-45-12 Ductile Iron
Gate Nut: ASTM B62 Bronze
O-Ring: EPDM
Dustproof cover: EPDM
Post flange: ASTM A536 65-45-12 Ductile Iron
Wrench nut: ASTM A536 65-45-12 Ductile Iron
Plug: ASTM B16 Bronze
Washer: ASTM SS316 Stainless Steel
Hex Socket Cap Screw: GR 8.8 Carbon Steel
Gasket: EPDM
Nut: ASTM SS316 Stainless Steel
Studs: ASTM SS316 Stainless Steel
Spring Washer: ASTM SS316 Stainless Steel

End Connections

Groove x Groove (REL-PIV-L388GG)
 Flange x Groove (REL-PIV-L388FG)
 Flange x Flange (REL-PIV-L388F)

Specifications

Flange: ANSI B16.1 Class 150
 Groove: AWWA C606

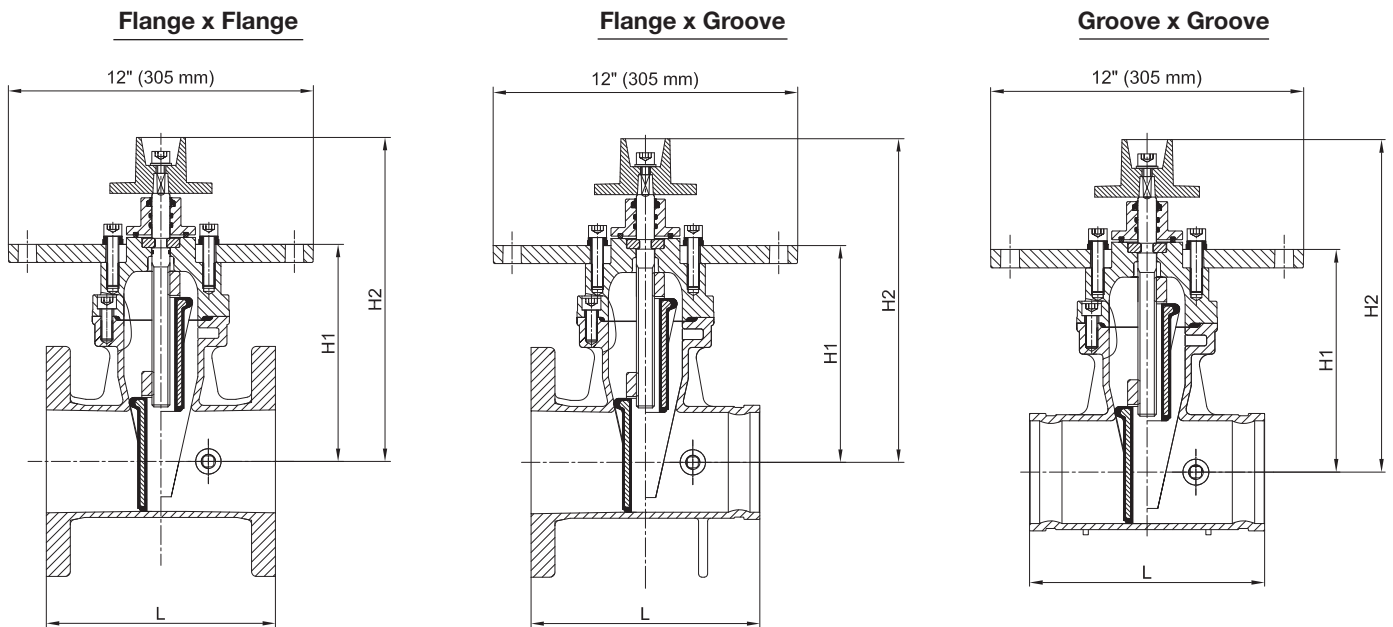
Listings and Approvals

cULus Listed
 FM Approved



Model L388 Non-Rising Stem Gate Valve Dimensions

Figure 1



Model L388 Non-Rising Stem Gate Valve Dimensions - in. (mm)

Table B

| Size | L in (mm) | H1 in (mm) | H2 in (mm) | Weight |
|----------------|---------------|----------------|----------------|--------------------|
| 2-1/2" (65 mm) | 7-1/2" (191) | 6-13/16" (173) | 11" (279) | 56 lbs (25.3 kg) |
| 3" (80 mm) | 8" (203) | 7-5/8" (193) | 12" (305) | 61 lbs (27.5 kg) |
| 4" (100 mm) | 9" (229) | 8-9/16" (217) | 12-3/4" (324) | 77 lbs (35 kg) |
| 6" (150 mm) | 10-1/2" (267) | 12-5/16" (312) | 16-7/8" (428) | 110 lbs (50 kg) |
| 8" (200 mm) | 11-1/2" (292) | 15-5/8" (397) | 21-1/8" (537) | 183 lbs (83 kg) |
| 10" (250 mm) | 13" (330) | 19-3/8" (492) | 25-3/16" (640) | 272 lbs (123.5 kg) |
| 12" (300 mm) | 14" (356) | 22-3/4" (578) | 28-1/2" (723) | 387 lbs (175.5 kg) |