



**Storz Connections**  
rated at 250 psi

**Product Description**

Reliable Storz Connections provide a quick connection of large diameter hose by Fire Service Professionals to fire sprinkler or standpipe systems. Conforms with NFPA 1963 requirements. Constructed with forged aluminum.

**Installation**

The Reliable Storz Connections and Storz accessories shall be installed in accordance with NFPA 13, "Standard for the Installation of Sprinkler Systems," as well as the requirements of any authorities having jurisdiction. Verify compatibility of the Reliable Storz connection materials with the water supply and the environment where the valve will be installed prior to installation.

**Maintenance**

The owner is responsible for maintaining the fire protection system in proper operating condition. Any system maintenance or testing that involves placing a control valve out of service will eliminate the fire protection that is provided by the fire protection system.

The Reliable Storz Connections and Storz accessories shall periodically be given a thorough inspection and test. NFPA 25, "Inspection, Testing and Maintenance of Water Based Fire Protection Systems," provides minimum maintenance requirements.

**Guarantee**

For Reliable Automatic Sprinkler Co., Inc. guarantee, terms, and conditions, visit [www.reliablesprinkler.com](http://www.reliablesprinkler.com).

**Ordering Information**

Specify the following when ordering:

| Reliable Storz Connection             |
|---------------------------------------|
| 4" Storz x 4" FNPT                    |
| 5" Storz x 4" FNPT                    |
| 4" Storz x 4" FNPT w/ Cap             |
| 5" Storz x 4" FNPT w/ Cap             |
| 4" Storz x 4" FNPT w/ 30° Elbow       |
| 5" Storz x 4" FNPT w/ 30° Elbow       |
| 4" Storz x 4" FNPT w/ 30° Elbow & Cap |
| 5" Storz x 4" FNPT w/ 30° Elbow & Cap |
| 4" Storz Cap & Chain                  |
| 5" Storz Cap & Chain                  |
| Storz Wall Connection Plate           |



Storz Connection with Cap



Storz Connection with 30° Elbow and Cap



Storz Connection Wall Plate

## Storz Connections

**Inlet:** 4" or 5" Storz connection  
**Outlet:** 4" FNPT Threads  
**Configuration:** Straight or 30° Elbow

**Maximum Working Pressure:** 250 psi

**Accessories:**  
 Cap and chain  
 Wall connection plate

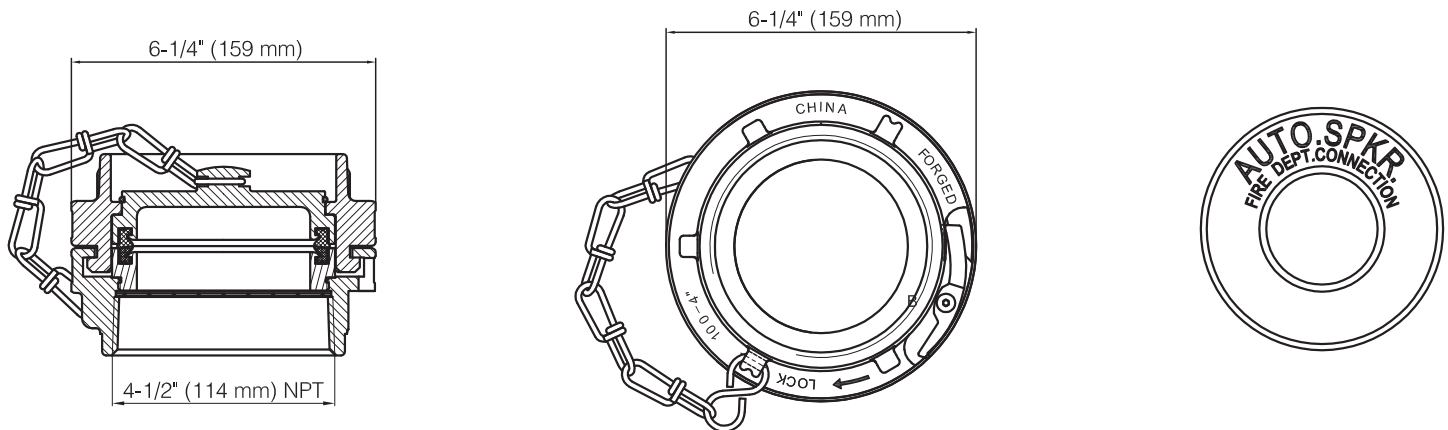
### Material Specifications

**Body:** Forged 6061 T-6 Aluminum Alloy  
**Finish:** Powder Coated  
**Seal:** Metal Face  
**Wall Plate:** 6061 Aluminum Alloy Red Painted  
**Chain:** Q235A Steel Alloy Black Painted  
**Bushing:** 6061 Aluminum Alloy Silver grey powder coated outside  
**Screen:** Type 304 Stainless Steel  
**Lock Mechanism:** Type 304 Stainless Steel  
**Spring:** Type 302 Stainless Steel  
**Screw:** Type 304 Stainless Steel  
**Lock, quick disconnect:** 6061 Aluminum Alloy Silver grey powder coated outside  
**Gasket:** NBR nitrile rubber (A60+-5)  
**Cap:** 6061 Aluminum Alloy Silver grey powder coated outside  
**Retaining Ring:** Type Type 304 Stainless Steel  
**Adapter, quick disconnect:** 6061 Aluminum Alloy Silver grey powder coated outside



Storz with Wall Plate, Cap and Chain Specification and Dimensions

Figure 1



Storz with 30° Elbow, Wall Plate, Cap and Chain Specification and Dimensions

Figure 2

