

# Reliable®

## Fire Department Connections and Accessories

### Product Description

Reliable Fire Department Connections provide a means through which supplemental fire protection water supply can be pumped into the sprinkler system, standpipe, or other water-based fire protection systems.

### Installation

The Reliable Fire Department Connections and accessories shall be installed in accordance with NFPA 13, "Standard for the Installation of Sprinkler Systems," as well as the requirements of any authorities having jurisdiction. Verify compatibility of the Fire Department Connections and accessories materials with the water supply and the environment where the valve will be installed prior to installation.

### Maintenance

The owner is responsible for maintaining the fire protection system in proper operating condition. Any system maintenance or testing that involves placing a control valve out of service will eliminate the fire protection that is provided by the fire protection system.

The Reliable Fire Department Connections and accessories and associated equipment shall periodically be given a thorough inspection and test. NFPA 25, "Inspection, Testing and Maintenance of Water Based Fire Protection Systems," provides minimum maintenance requirements.

### Guarantee

For Reliable Automatic Sprinkler Co., Inc. guarantee, terms, and conditions, visit [www.reliablesprinkler.com](http://www.reliablesprinkler.com).

### Ordering Information

Specify the following when ordering:

#### Model

- 4 x 2-1/2" x 2-1/2" Straight Single Clapper Two-Way Inlet
- 4 x 2-1/2" x 2-1/2" 90° Single Clapper Two-Way Inlet
- Single Inlet Fire Department Connection (1-1/2" or 2-1/2")
- Wall Plates (4" or 2-1/2")
- Plug and Chain
- Breakable Caps
- Reducer

**Note:** 2-1/2" plugs or breakable caps not included with inlets; order separately.



REL-FDC-425  
4" x 2-1/2" x 2-1/2"  
Straight Single Clapper  
Two-Way Inlets



REL-FDC-42590  
4" x 2-1/2" x 2-1/2"  
90° Single Clapper  
Two-Way Inlets



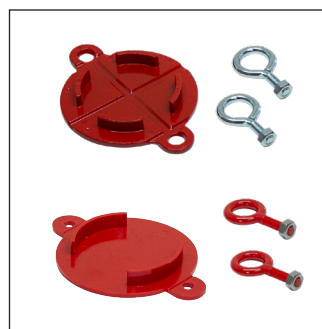
REL-FDC-15 (1-1/2") or REL-FDC-25 (2-1/2")  
Single Inlet Fire Department Connection



Wall Plates



Plug and Chain



Breakable Caps



Reducers

**REL-FDC-425 4" x 2-1/2" x 2-1/2" Straight Single Clapper Two-Way Inlet**

**Technical Specifications**

**Pressure Rating:**

300 psi (20.7 bar)

**Material Specifications**

**Clapper:** C37700 Brass Alloy

**O-Ring:** EPDM

**Hinge Pin:** C37700 Brass Alloy

**Screw:** C46500 Brass Alloy/Type 304 Stainless Steel

**Sealing:** EPDM

**Coupling:** C37700 Brass Alloy

**Ball Bearing:** Type 304 Stainless Steel

**Body:** C37700 Brass Alloy

**Listings and Approvals**

cULus Listed

FM Approved

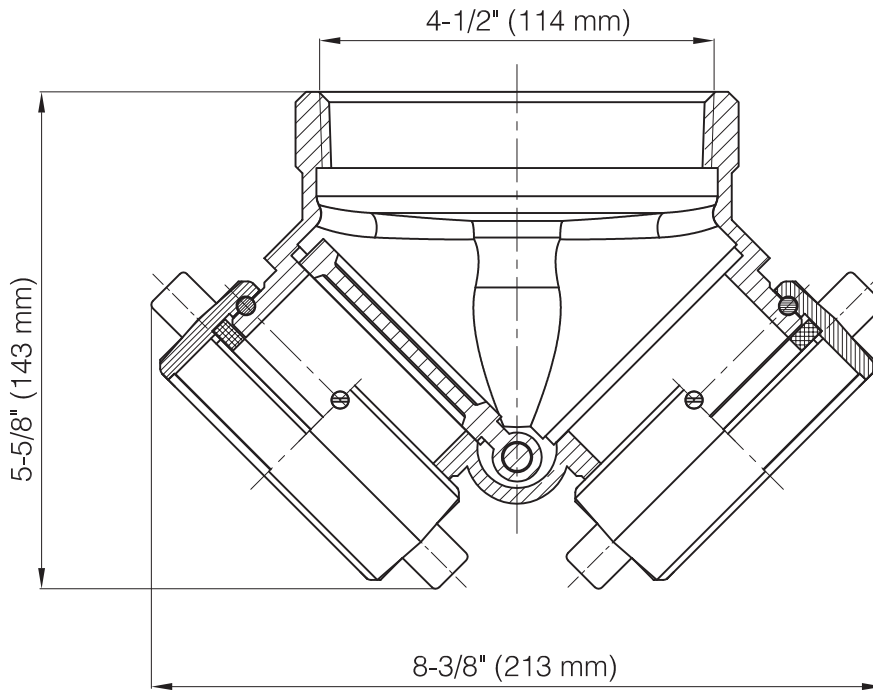
**Threads**

NST



**REL-FDC-425 4" x 2-1/2" x 2-1/2" Straight Single Clapper Two-Way Inlet Specification and Dimensions**

**Figure 1**



**Note:** 2-1/2" plugs or breakable caps not included with inlets; order separately.

**REL-FDC-42590 4" x 2-1/2" x 2-1/2" 90° Single Clapper Two-Way Inlet**

**Technical Specifications**

**Pressure Rating:**

300 psi (20.7 bar)

**Material Specifications**

**O-Ring:** EPDM

**Screw:** C46500 Brass Alloy/Type 304 Stainless Steel

**Coupling:** C37700 Brass Alloy

**Sealing:** EPDM

**Ball Bearing:** Type 304 Stainless Steel

**Hinge Pin:** C37700 Brass Alloy

**Clapper:** C37700 Brass Alloy

**Body:** C37700 Brass Alloy

**Listings and Approvals**

cULus Listed

FM Approved

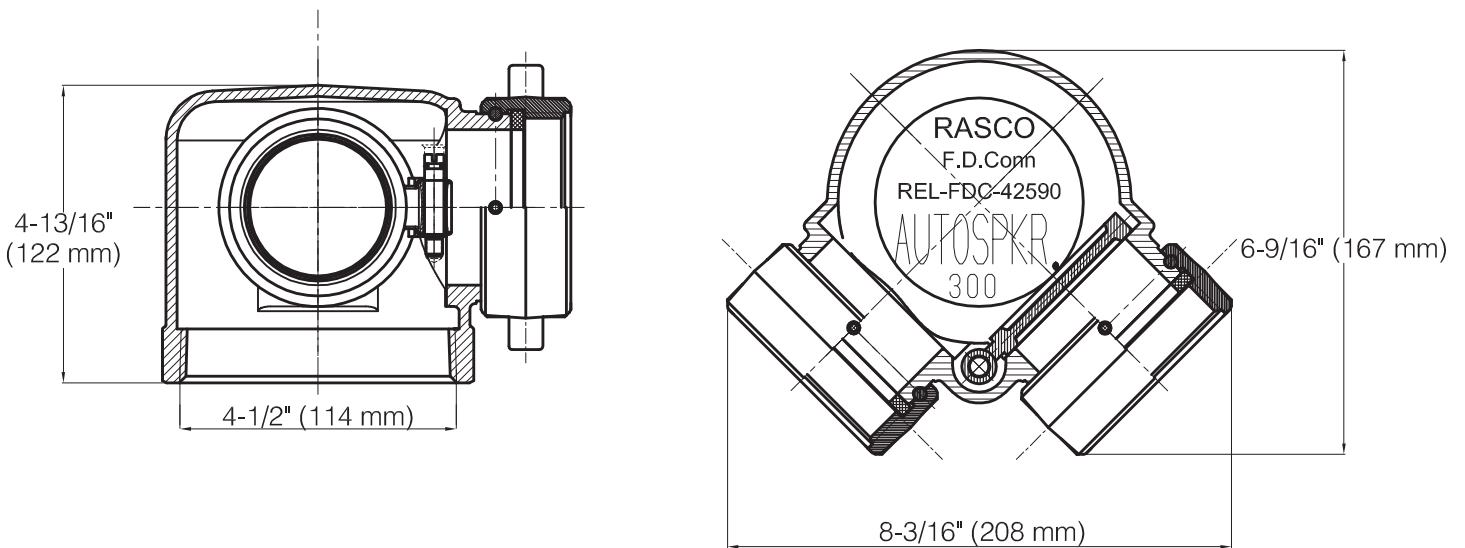
**Threads**

NST



**REL-FDC-42590 4" x 2-1/2" x 2-1/2" 90° Single Clapper Two-Way Inlet Specification and Dimensions**

**Figure 2**



**Note:** 2-1/2" plugs or breakable caps not included with inlets; order separately.

**REL-FDC-15 (1-1/2") or REL-FDC-25 (2-1/2") Single Inlet Fire Department Connection**

**Technical Specifications**

**Pressure Rating:**

300 psi (20.7 bar)

**Material Specifications**

**Body:** Brass\* - B16

**Cap and Chain:** Sub-Assembly

**Screw:** Type 304 Stainless Steel

**Seal:** C37700 Brass Alloy

**Ball:** Type 304 Stainless Steel

**Swivel Connector:** C37700 Brass Alloy

**Adapter with plate:** C37700 Brass Alloy

\*Contains lead. Not for use in water systems intended for human consumption.

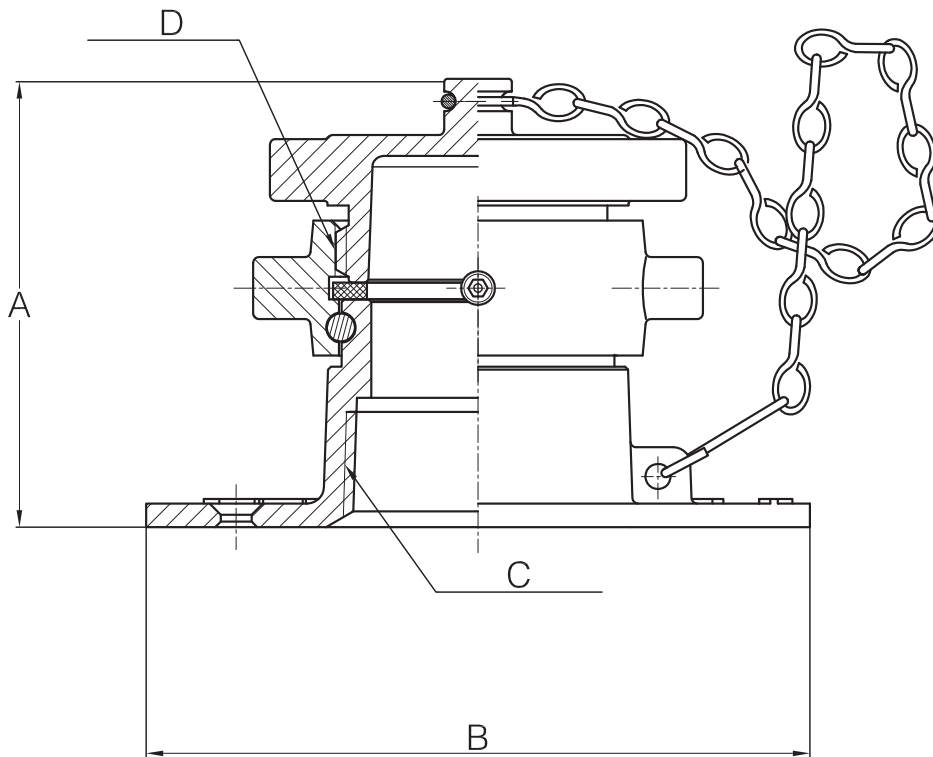
**Threads**

NST



**REL-FDC-15 (1-1/2") or REL-FDC-25 (2-1/2") Single Inlet Fire Department Connection Specification and Dimensions**

**Figure 3**



**Table A**

FDC Size	A	B	C	D
1-1/2"	3-1/8" (79 mm)	4-5/8" (118 mm)	1-1/2" NPT	1-1/2" NST Hose Thread
2-1/2"	3-11/16" (93 mm)	6-5/8" (169 mm)	2-1/2" NPT	2-1/2" NST Hose Thread

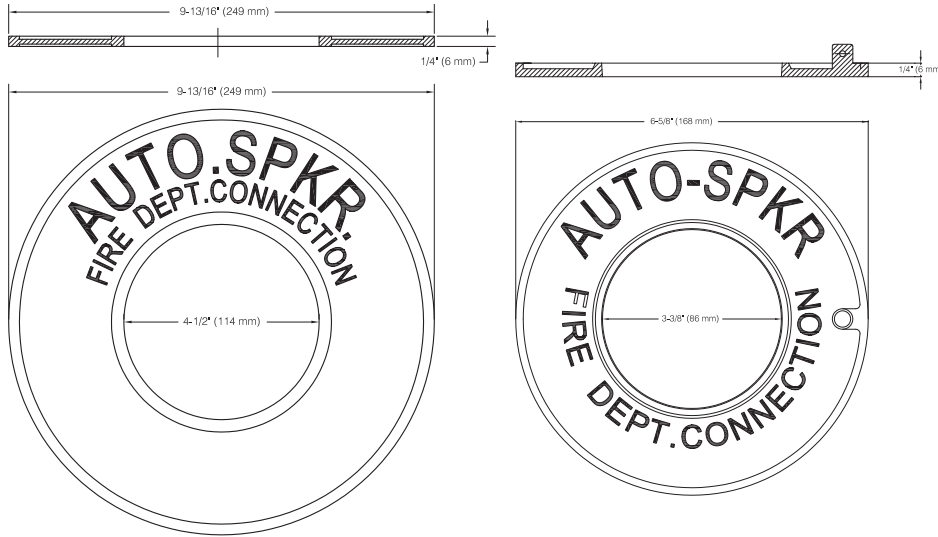
**Wall Plates**

Used to identify and trim exposed Storz and fire department connections

Materials: Aluminum, Rough Brass

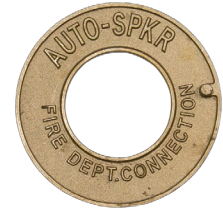
Finish: Aluminum, Rough Brass

Size: 4" IPS, 2-1/2" IPS



4" Wall Plate

2-1/2" Wall Plate



**2-1/2" Plug and Chain**

Plugs and chains are designed to protect female swivel threads on fire department connections. They also prevent the entry of foreign matter and debris. All come with standard lug pins.

Material: Aluminum

Finish: Rough Brass

\*Contains lead. Not for use in water systems intended for human consumption.

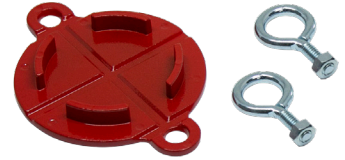
Threads: NST



**Breakable Caps**

Breakable caps are designed to protect female FDC inlets with pin lugs. They allow quick access when a hose connection is necessary. The caps are made with scored tabs that allow the fire department to easily remove by striking with a hydrant wrench or similar tool.

Material: Cast aluminum or plastic  
Color: Red  
Size: 2-1/2"  
Type: Pin lug



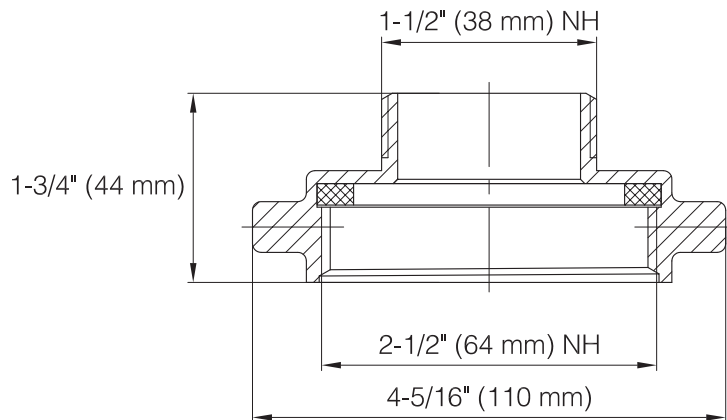
**2-1/2" x 1-1/2" Reducer**

Used to reduce or change Fire Hose Threads.

Material: Brass\* - B16  
Finish: Polished Brass

\*Contains lead. Not for use in water systems intended for human consumption.

Threads: NST



P/N 9999970609