



Model L399 OS&Y Gate Valve

cULus Listed, FM Approved

Product Description

The Reliable Model L399 OS&Y Gate valves are UL Listed and FM Approved resilient seated indicating control valves for fire protection systems. Reliable L399 OS&Y Gate Valves are available with grooved outlets that conform to AWWA C606 / ISO 6182-12, ANSI/ASME B16.1 flanged outlets compatible with both Class 150 and Class 125 flanges, and ISO 7005-1 flanged outlets compatible with both PN10 and PN16 flanges. They are available in 2" (50mm), 2-1/2" (65mm), 3" (80mm), 4" (100mm), 6" (150mm), 8" (200mm), 10" (250mm), and 12" (300mm) nominal sizes. The valves are listed for 300 psi (20.7 bar) working pressure. Verify that appropriate end connections and fittings are used for the system pressure prior to installation.

Maintenance

The owner is responsible for maintaining the fire protection system in proper operating condition. Any system maintenance or testing that involves placing a control valve out of service will eliminate the fire protection that is provided by the fire protection system.

The Reliable OS&Y Gate valves and associated equipment shall periodically be given a thorough inspection and test. NFPA 25, "Inspection, Testing and Maintenance of Water Based Fire Protection Systems," provides minimum maintenance requirements.

Ordering Information

Specify the following when ordering:

Reliable Model L399 OS&Y Gate Valve

Valve Size

End Connection

- Flange x Flange
- Flange x Groove
- Groove x Groove



Flange x Flange



Flange x Groove



Groove x Groove

Guarantee

For Reliable Automatic Sprinkler Co., Inc. guarantee, terms, and conditions, visit www.reliablesprinkler.com.

End Configuration Options

Table A

Model	End Connections	Sizes in (mm)	Approvals
REL-OSY-L399F	Flange x Flange	2" (50), 2-1/2" (65), 3" (80), 4" (100), 6" (150), 8" (200), 10" (250), 12" (300)	cULus Listed, FM Approved
REL-OSY-L399FG	Flange x Groove		
REL-OSY-L399GG	Groove x Groove		

OS&Y Gate Valves

Technical Specifications

Pressure Rating:
300 psi (20.7 bar)

Material Specifications

Body: Ductile Iron A536 65-45-12
Wedge: Ductile Iron EPDM Coated
Wedge Nut: Stainless Steel AISI 304
Stem: Stainless Steel AISI 304
Bonnet: Ductile Iron A536 65-45-12
Gasket: EPDM Commercial
Packing: Graphite
Stem Nut: Bronze ASTM B62
Handwheel: Ductile Iron A536 65-45-12

End Connections

Groove x Groove
 Flange x Groove
 Flange x Flange

Specifications

Groove: AWWA C606 / ISO 6182-12
 ANSI/ASME Flanges: ANSI/ASME B16.1
 Class 125 / 150 with raised face
 ISO Flanges: ISO 7005-1 PN10 / PN16 with raised face

Listings and Approvals

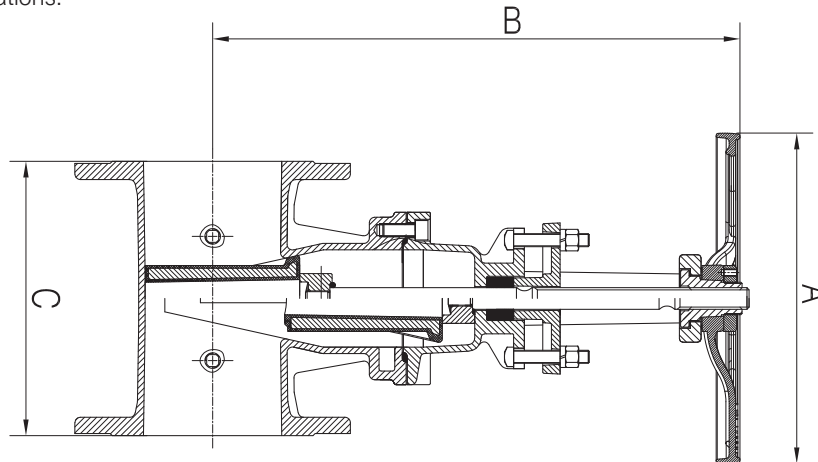
cULus Listed
 FM Approved



Reliable OS&Y Gate Valve Dimensions

Figure 1

Note: Flanged valve shown.
 Dimension C (end to end) is the same for all end configurations.



Reliable OS&Y Gate Valve Dimensions - in. (mm)

Table B

Valve Size	A	B	C	Tap Size	Approximate Number of Handwheel Turns from Open to Close
2" (50)	7-3/16" (183)	16-3/16" (411)	7" (178)	1/2" NPT	12
2-1/2" (65)	7-3/16" (183)	16-3/16" (411)	7-1/2" (191)	1/2" NPT	16
3" (80)	9-15/16" (253)	18-3/16" (462)	8" (203)	1/2" NPT	16
4" (100)	9-15/16" (253)	20-1/4" (514)	9" (229)	1/2" NPT	20
6" (150)	12-1/16" (306)	27-15/16" (709)	10-1/2" (267)	3/4" NPT	30
8" (200)	14" (355)	36-1/3" (922)	11-1/2" (292)	3/4" NPT	33
10" (250)	17-1/2" (445)	43-15/16" (1116)	13" (330)	1" NPT	41
12" (300)	17-1/2" (445)	51-3/16" (1300)	14" (356)	1" NPT	50

Note: Model L399 OS&Y valves manufactured before August 2022 may have a 1/4" FNPT tap on all sizes of valves.

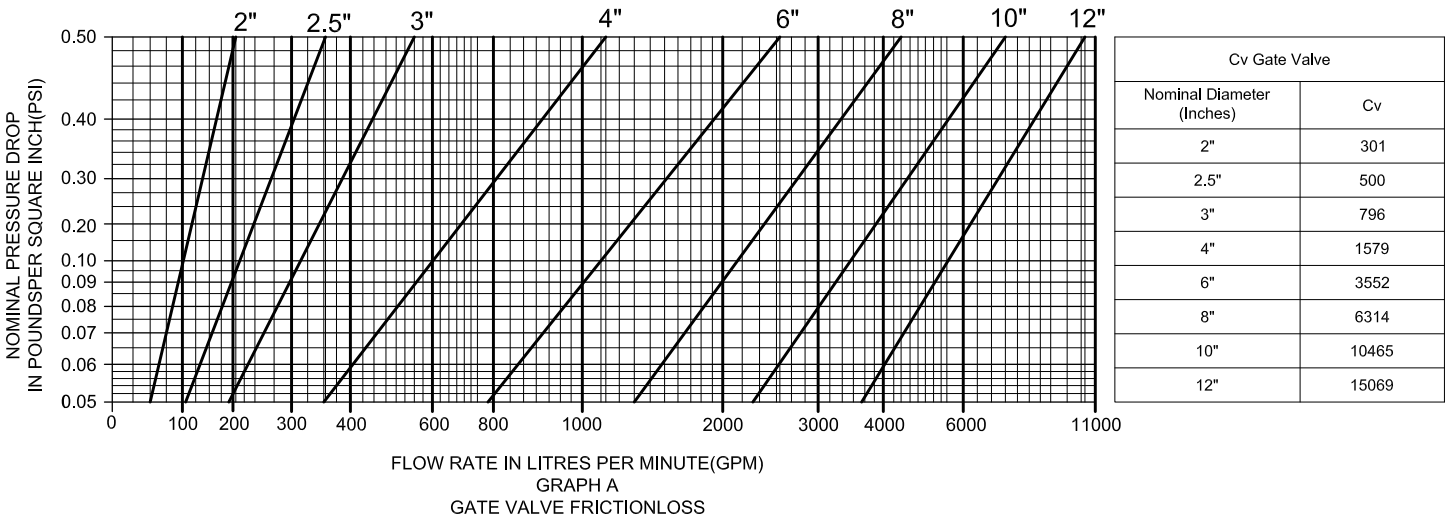
Reliable OS&Y Gate Valve Weights

Table C

Valve Size in (mm)	FLG x FLG lbs (kg)	FLG x GRV lbs (kg)	GRV x GRV lbs (kg)
2" (50)	33.9 (15.4)	33.8 (15.4)	25.9 (11.8)
2-1/2" (65)	39.8 (18.1)	35.5 (16.1)	29.7 (13.5)
3" (80)	46 (20.9)	41.2 (18.7)	34.8 (15.8)
4" (100)	58.4 (26.6)	48.7 (22.1)	38 (17.3)
6" (150)	99.9 (45.4)	86.4 (39.3)	71.9 (32.7)
8" (200)	183.2 (83.3)	171.2 (77.8)	147.6 (67.1)
10" (250)	230.2 (104.7)	211.6 (96.2)	181.7 (82.6)
12" (300)	386.8 (175.8)	359.7 (163.5)	308.4 (140.2)

Friction Loss

Figure 2



Supervisory Switch Compatibility

Reliable Model L399 OS&Y gate valves are compatible with multiple supervisory switches manufactured by others. These switches are designed to monitor the valve in a normally open condition and utilize a preexisting groove machined in the valve stem during manufacture. Reliable Model L399 OS&Y gate valve are provided with this groove and should not require any modification to the valve stem in order to install the supervisory switch. All sizes of Reliable Model L399 OS&Y gate valve are compatible with the following supervisory switches:

- Potter® OSYSU Series Supervisory Switch
- Potter® OSYSU-CRH Series Supervisory Switch
- Potter® OSYSU-EX Series Supervisory Switch
- Potter® OSYSU-EX-O Series Supervisory Switch
- Safe Signal® OSY2 Series Supervisory Switch
- Safe Signal® OSY2A Series Supervisory Switch
- Safe Signal® OSYEXP Series Supervisory Switch