

Reliable®

Model RSO1 Two-Hole Stand Off CPVC Pipe Strap

cULus Listed

Product Description

The Reliable RSO1 Two-Hole Stand Off CPVC Pipe Strap is designed to support non-metallic CPVC pipe horizontally from the side or bottom of a beam, stud, sheet steel with a minimum thickness of 20 gauge (.0359" / .911mm), or another structural support member used as an attaching structure. When used with vertical piping or when installed on the top surface of an attaching structure the RSO1 pipe strap acts as a guide only and does not directly support the pipe it is installed upon. The supplied fasteners are only suitable for installing the RSO1 pipe strap into wood; when installing into sheet steel a different, metal-appropriate screw must be used. The RSO1 pipe strap includes flared features to prevent damage to the pipe if slid through an installed strap. The RSO1 pipe strap is available for NPS / DN pipe sizes from 3/4" (20mm) to 2" (50mm).

Maintenance

The owner is responsible for maintaining the fire protection system in proper operating condition. Any system maintenance or testing that involves placing a control valve out of service will eliminate the fire protection that is provided by the fire protection system.

The Reliable CPVC straps and associated equipment shall periodically be given a thorough inspection and test. NFPA 25, "Inspection, Testing and Maintenance of Water Based Fire Protection Systems," provides minimum maintenance requirements.

Guarantee

For Reliable Automatic Sprinkler Co., Inc. guarantee, terms, and conditions, visit www.reliablesprinkler.com.



Model RSO1 Two-Hole Stand Off CPVC Pipe Strap

Ordering Information

Specify the following when ordering:

Model

- RSO1

Nominal Size

- 3/4" (20 mm)
- 1" (25 mm)
- 1-1/4" (32 mm)
- 1-1/2" (40 mm)
- 2" (50 mm)

Reliable Model RSO1 Two-Hole Stand Off CPVC Pipe Strap

Technical Specifications

Material: ASTM A576 Gr 1020 (equivalent to AISI 1020 steel)

Surface Treatment: Hot-dip Galvanizing per ASTM A123 on raw material prior to forming (pre-galvanizing)

Manufacturing Process: Cold-Formed Die Stamping

Application: Non-metallic CPVC Pipe for use in Fire Protection Systems

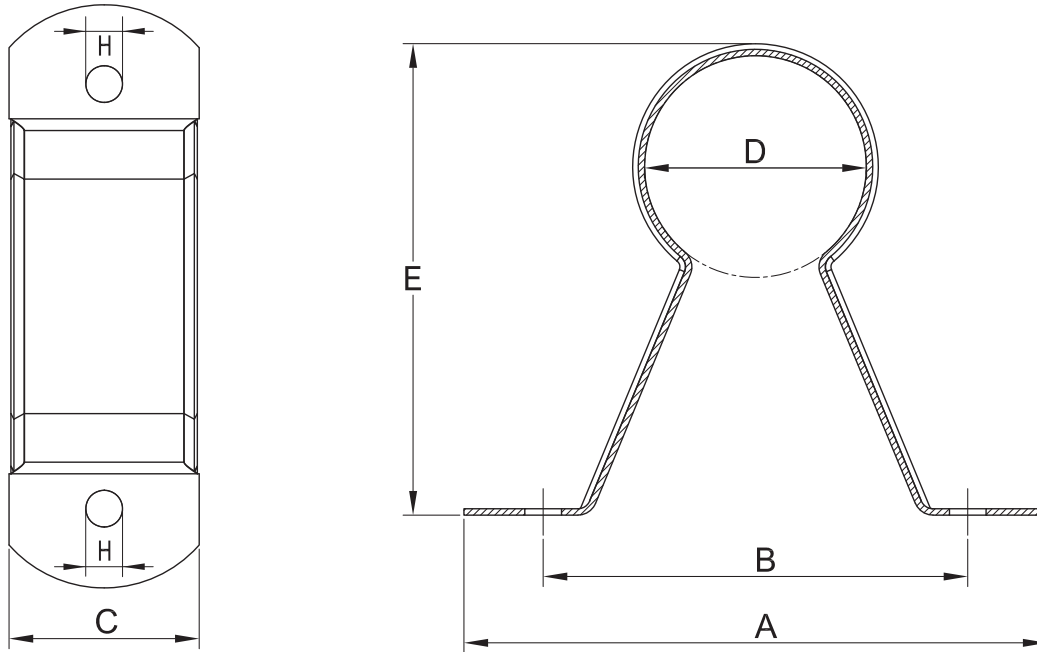
Listings and Approvals

cULus Listed



Reliable Model RSO1 Two-Hole Stand Off CPVC Pipe Strap Specification and Dimensions

Figure 1



Dimensions in. (mm)

Table A

Nominal Pipe Size	D	A	B	C	E	H
3/4 (20)	1-1/16 (27)	3-5/8 (92)	2-5/8 (67)	1-3/16 (30)	2-5/8 (67)	7/32 (6)
1 (25)	1-5/16 (33)	3-5/8 (92)	2-5/8 (67)	1-3/16 (30)	2-15/16 (74)	7/32 (6)
1-1/4 (32)	1-11/16 (42)	3-5/8 (92)	2-5/8 (67)	1-3/16 (30)	3-1/4 (82)	7/32 (6)
1-1/2 (40)	1-7/8 (48)	3-5/8 (92)	2-5/8 (67)	1-3/16 (30)	3-7/16 (88)	7/32 (6)
2 (50)	2-3/8 (60)	4-1/8 (105)	3-1/8 (80)	1-3/16 (30)	4 (101)	7/32 (6)

WARNINGS

1. The RSO1 CPVC pipe strap and the supported fire protection system must be installed in accordance with NFPA 13, the installation requirements of the pipe manufacturer, and all applicable installation standards.
2. The RSO1 CPVC pipe strap shall only be used to install cULus Listed CPVC pipe.
3. Ensure the compatibility of the RSO1 CPVC pipe strap, pipe, and fire protection system components with the surrounding environment prior to installation.
4. Only attach the RSO1 CPVC pipe strap to structural components that are adequate in all respects, including integrity, placement, and fitness-for-purpose, to support the RSO1 CPVC pipe strap and the fire protection system.
5. Ensure that the screws attaching the RSO1 CPVC pipe strap do not puncture or damage any systems or equipment.

6. Do NOT use impact tools to install the RSO1 CPVC pipe strap. Use of impact tools may damage the RSO1 CPVC pipe strap, supported pipe, and structure to which the RSO1 CPVC pipe strap is attached.
7. The screws used to install the RSO1 CPVC pipe strap must be tightened adequately to hold the pipe strap firmly to the structure. Do NOT over-tighten the screws to avoid damaging the screws, RSO1 CPVC pipe strap, or structure to which the RSO1 CPVC pipe strap is attached.
8. When the provided screws are not used, the installer is responsible for selecting a washer head fastener capable of supporting the required loads.
9. Failure to follow these warnings and installation instructions may result in product malfunction, up to and including failure of the fire protection system.

Installation

1. The RSO1 CPVC pipe strap acts as a pipe support ONLY when installed on the side or bottom surfaces of an attaching structure as shown in Figure 2 and Figure 3. For any orientation where the pipe is vertically positioned, this product acts as a guide ONLY, not a support. When this product is installed on the top surface of an attaching structure as shown in Figure 4, this product acts primarily as a guide, but will also provide support ONLY to resist thrust of a sprinkler during operation. Note that in all figures, the vertical arrow points in the downward direction to the floor to clearly illustrate the correct support and guide-only installation orientations of this product.

2. Clip strap(s) around pipe and squeeze the strap back around the pipe to the size noted in Table A Dimension A or slide the strap(s) over the end of the pipe and into position on the pipe. The pipe should slide freely in the strap. It is acceptable to fit all straps onto a piece of pipe prior to installing fasteners that secure the pipe and straps to the attaching structure.

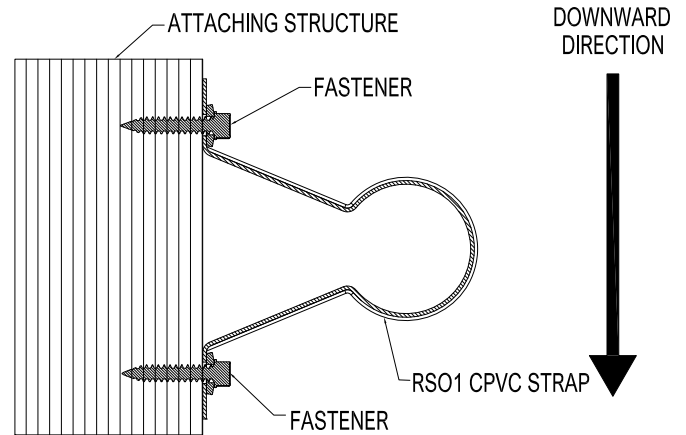
3. Orient the strap(s) and attach the strap(s) to the structure using either the two (2) fasteners provided or two (2) appropriate alternate washer-head fasteners. All straps shall be spaced in accordance with NFPA 13, the pipe manufacturer's installation instructions, and all other applicable requirements. Pre-drilling is not required when supplied fasteners are used. The supplied fasteners may be installed with either a 5/16-inch or 8 mm socket.

4. When installing the RSO1 CPVC pipe strap into sheet steel a self-drilling screw (also called a tek-type screw) must be used; an appropriate screw for this product must have a minimum diameter of #12 (5.5 mm) and a minimum length of 1-inch (25 mm). Pre-drilling is not required when a screw of this type is used.

5. Inspect the RSO1 CPVC Pipe Strap and other fire protection system components following installation to ensure that the products have been installed correctly and that the pipe is secured to the attaching structure in accordance with all application requirements and in a manner suitable for use in a fire protection system.

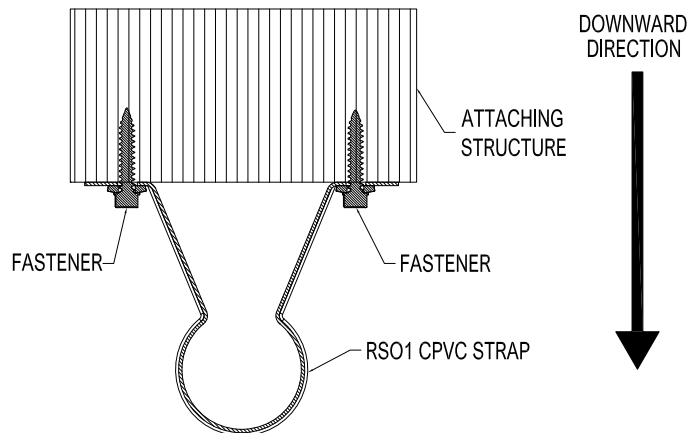
Correct Installation as a Pipe Support to Side Surface of Attaching Structure

Figure 2



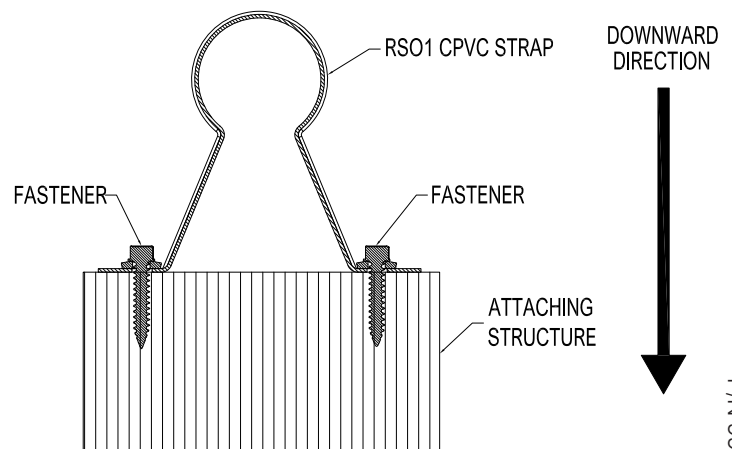
Correct Installation as a Pipe Support to Bottom Surface of Attaching Structure

Figure 3



Correct Installation as a Guide/Thrust Restraint to Top Surface of Attaching Structure

Figure 4



P/N 9999970717