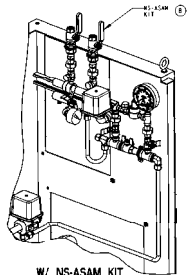
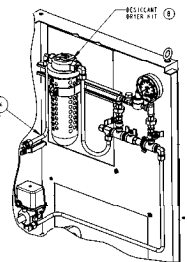


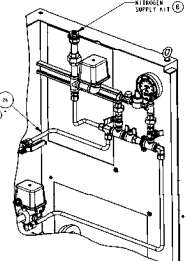
MODEL A PMD



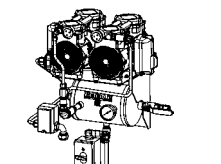
W/ NS-ASAM KIT  
P/N 6704030024



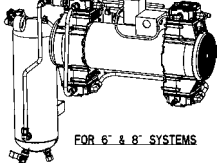
W/ DESICCANT KIT  
P/N 650120003



W/ NITROGEN SUPPLY KIT  
P/N 6304030200

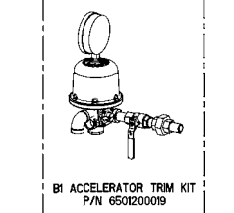


FOR 2", 2 1/2", 3", 4" & 6" SYSTEMS



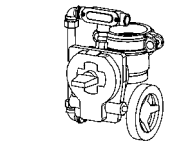
FOR 6" & 8" SYSTEMS

| OPTION NUMBER | DESCRIPTION                               | AIR COMPRESSOR KIT PART NUMBER |
|---------------|---|--------------------------------|
| 1             | 1" AIR COMPRESSOR, 1/2 HP, 115VAC         | 650200014                      |
| 2             | 2" AIR COMPRESSOR, 1 HP, 115VAC           | 650200015                      |
| 3             | 3" AIR COMPRESSOR, 1 1/2 HP, 115VAC       | 650200016                      |
| 4             | 4" AIR COMPRESSOR, 2 HP, 115VAC           | 650200017                      |
| 5             | 6" AIR COMPRESSOR, 3 HP, 115VAC           | 650200018                      |
| 6             | 8" AIR COMPRESSOR, 4 HP, 115VAC           | 650200019                      |
| 7             | 1" AIR COMPRESSOR, 1/2 HP, 220VAC, 50HZ   | 650200020                      |
| 8             | 2" AIR COMPRESSOR, 1 HP, 220VAC, 50HZ     | 650200021                      |
| 9             | 3" AIR COMPRESSOR, 1 1/2 HP, 220VAC, 50HZ | 650200022                      |
| 10            | 4" AIR COMPRESSOR, 2 HP, 220VAC, 50HZ     | 650200023                      |
| 11            | 6" AIR COMPRESSOR, 3 HP, 220VAC, 50HZ     | 650200024                      |
| 12            | 8" AIR COMPRESSOR, 4 HP, 220VAC, 50HZ     | 650200025                      |

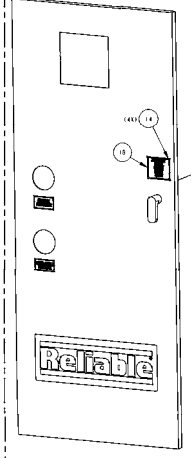


BI ACCELERATOR TRIM KIT  
P/N 6501200019

SYSTEM PNEUMATIC DEVICE OPTIONS

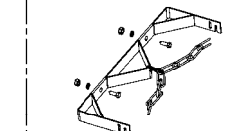


| OPTION NUMBER | DESCRIPTION                          | CONTROL VALVE KIT PART NUMBER |
|---------------|--------------------------------------|-------------------------------|
| 1             | 1" SYSTEM SIDE CONTROL VALVE KIT     | 650200026                     |
| 2             | 2 1/2" SYSTEM SIDE CONTROL VALVE KIT | 650200027                     |
| 3             | 3" SYSTEM SIDE CONTROL VALVE KIT     | 650200028                     |
| 4             | 4" SYSTEM SIDE CONTROL VALVE KIT     | 650200029                     |
| 5             | 6" SYSTEM SIDE CONTROL VALVE KIT     | 650200030                     |
| 6             | 8" SYSTEM SIDE CONTROL VALVE KIT     | 650200031                     |



SOLENOID VALVE  
SEE SOLENOID VALVE SELECTION TABLE

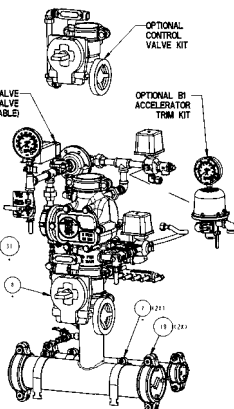
| OPTION NUMBER | DESCRIPTION                                 | SOLENOID VALVE KIT PART NUMBER |
|---------------|---|--------------------------------|
| 1             | SOLENOID VALVE, 1/2" PSI                    | 6501200038                     |
| 2             | SOLENOID VALVE, 3/4" PSI                    | 6501200039                     |
| 3             | SOLENOID VALVE, 1 1/2" PSI, EXTENSION MOUNT | 6501200040                     |
| 4             | SOLENOID VALVE, 3/4" PSI, EXTENSION MOUNT   | 6501200041                     |



NITROGEN TANK BRACKET OPTIONS

| OPTION NUMBER | DESCRIPTION  | PART NUMBER |
|---------------|--------------|-------------|
| 1             | TANK BRACKET | 6501200042  |
| 2             | W/ LOCK      | 6501200043  |

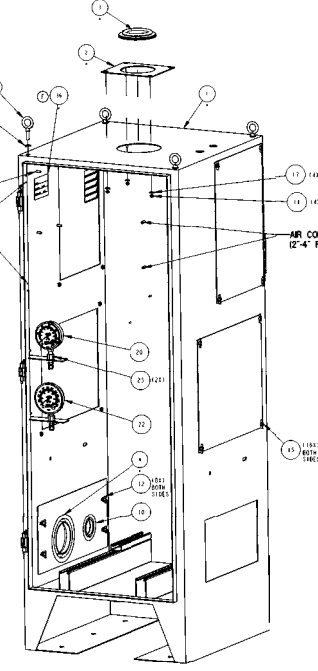
NOTE: DO NOT INSTALL BRACKET OVER LOCK



SOLENOID VALVE KIT  
OPTIONAL BI ACCELERATOR TRIM KIT

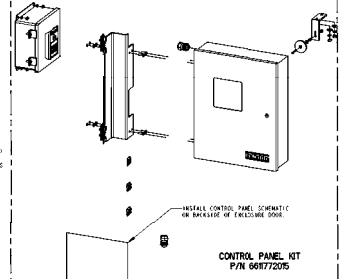
OPTIONAL CONTROL VALVE KIT

OPTIONAL BI ACCELERATOR TRIM KIT



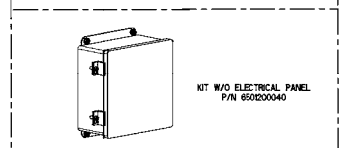
ELECTRICAL SUBASSEMBLY SYSTEM

OPTIONAL CONTROL PANEL



CONTROL PANEL KIT (PNEUMATIC OR ELECTRICAL DOOR)

CONTROL PANEL KIT P/N 66872205



KIT W/O ELECTRICAL PANEL  
P/N 6501200040

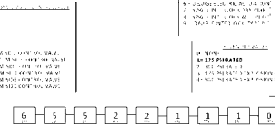
| OPTION NUMBER | DESCRIPTION      | PC PART NUMBER |
|---------------|------------------|----------------|
| 1             | BI CONTROL PANEL | 641372015      |
| 2             | BI CONTROL PANEL | 6501200040     |

CONTROL PANEL OPTIONS

| OPTION NUMBER | DESCRIPTION      | PC PART NUMBER |
|---------------|------------------|----------------|
| 1             | BI CONTROL PANEL | 641372015      |
| 2             | BI CONTROL PANEL | 6501200040     |

| ITEM | QUANTITY | DESCRIPTION                   | UNIT | REMARKS |
|------|----------|-------------------------------|------|---------|
| 1    | 1        | SOLENOID VALVE KIT            | EA   |         |
| 2    | 1        | CONTROL VALVE KIT             | EA   |         |
| 3    | 1        | BI ACCELERATOR TRIM KIT       | EA   |         |
| 4    | 1        | CONTROL PANEL KIT             | EA   |         |
| 5    | 1        | ELECTRICAL SUBASSEMBLY SYSTEM | EA   |         |
| 6    | 1        | NITROGEN TANK BRACKET         | EA   |         |
| 7    | 1        | BI ACCELERATOR TRIM KIT       | EA   |         |
| 8    | 1        | CONTROL VALVE KIT             | EA   |         |
| 9    | 1        | SOLENOID VALVE KIT            | EA   |         |
| 10   | 1        | BI ACCELERATOR TRIM KIT       | EA   |         |
| 11   | 1        | CONTROL VALVE KIT             | EA   |         |
| 12   | 1        | SOLENOID VALVE KIT            | EA   |         |
| 13   | 1        | BI ACCELERATOR TRIM KIT       | EA   |         |
| 14   | 1        | CONTROL VALVE KIT             | EA   |         |
| 15   | 1        | SOLENOID VALVE KIT            | EA   |         |
| 16   | 1        | BI ACCELERATOR TRIM KIT       | EA   |         |
| 17   | 1        | CONTROL VALVE KIT             | EA   |         |
| 18   | 1        | SOLENOID VALVE KIT            | EA   |         |
| 19   | 1        | BI ACCELERATOR TRIM KIT       | EA   |         |
| 20   | 1        | CONTROL VALVE KIT             | EA   |         |
| 21   | 1        | SOLENOID VALVE KIT            | EA   |         |
| 22   | 1        | BI ACCELERATOR TRIM KIT       | EA   |         |
| 23   | 1        | CONTROL VALVE KIT             | EA   |         |
| 24   | 1        | SOLENOID VALVE KIT            | EA   |         |
| 25   | 1        | BI ACCELERATOR TRIM KIT       | EA   |         |
| 26   | 1        | CONTROL VALVE KIT             | EA   |         |
| 27   | 1        | SOLENOID VALVE KIT            | EA   |         |
| 28   | 1        | BI ACCELERATOR TRIM KIT       | EA   |         |
| 29   | 1        | CONTROL VALVE KIT             | EA   |         |
| 30   | 1        | SOLENOID VALVE KIT            | EA   |         |
| 31   | 1        | BI ACCELERATOR TRIM KIT       | EA   |         |
| 32   | 1        | CONTROL VALVE KIT             | EA   |         |
| 33   | 1        | SOLENOID VALVE KIT            | EA   |         |
| 34   | 1        | BI ACCELERATOR TRIM KIT       | EA   |         |
| 35   | 1        | CONTROL VALVE KIT             | EA   |         |
| 36   | 1        | SOLENOID VALVE KIT            | EA   |         |
| 37   | 1        | BI ACCELERATOR TRIM KIT       | EA   |         |
| 38   | 1        | CONTROL VALVE KIT             | EA   |         |
| 39   | 1        | SOLENOID VALVE KIT            | EA   |         |
| 40   | 1        | BI ACCELERATOR TRIM KIT       | EA   |         |
| 41   | 1        | CONTROL VALVE KIT             | EA   |         |
| 42   | 1        | SOLENOID VALVE KIT            | EA   |         |
| 43   | 1        | BI ACCELERATOR TRIM KIT       | EA   |         |
| 44   | 1        | CONTROL VALVE KIT             | EA   |         |
| 45   | 1        | SOLENOID VALVE KIT            | EA   |         |
| 46   | 1        | BI ACCELERATOR TRIM KIT       | EA   |         |
| 47   | 1        | CONTROL VALVE KIT             | EA   |         |
| 48   | 1        | SOLENOID VALVE KIT            | EA   |         |
| 49   | 1        | BI ACCELERATOR TRIM KIT       | EA   |         |
| 50   | 1        | CONTROL VALVE KIT             | EA   |         |

PREPAK PART NUMBER CONFIGURATION



| OPTION NUMBER | DESCRIPTION  | PART NUMBER |
|---------------|--------------|-------------|
| 1             | TANK BRACKET | 6501200042  |
| 2             | W/ LOCK      | 6501200043  |

NOTE: DO NOT INSTALL BRACKET OVER LOCK

| ITEM | DESCRIPTION                   | UNIT | REMARKS |
|------|-------------------------------|------|---------|
| 1    | SOLENOID VALVE KIT            | EA   |         |
| 2    | CONTROL VALVE KIT             | EA   |         |
| 3    | BI ACCELERATOR TRIM KIT       | EA   |         |
| 4    | CONTROL PANEL KIT             | EA   |         |
| 5    | ELECTRICAL SUBASSEMBLY SYSTEM | EA   |         |
| 6    | NITROGEN TANK BRACKET         | EA   |         |
| 7    | BI ACCELERATOR TRIM KIT       | EA   |         |
| 8    | CONTROL VALVE KIT             | EA   |         |
| 9    | SOLENOID VALVE KIT            | EA   |         |
| 10   | BI ACCELERATOR TRIM KIT       | EA   |         |
| 11   | CONTROL VALVE KIT             | EA   |         |
| 12   | SOLENOID VALVE KIT            | EA   |         |
| 13   | BI ACCELERATOR TRIM KIT       | EA   |         |
| 14   | CONTROL VALVE KIT             | EA   |         |
| 15   | SOLENOID VALVE KIT            | EA   |         |
| 16   | BI ACCELERATOR TRIM KIT       | EA   |         |
| 17   | CONTROL VALVE KIT             | EA   |         |
| 18   | SOLENOID VALVE KIT            | EA   |         |
| 19   | BI ACCELERATOR TRIM KIT       | EA   |         |
| 20   | CONTROL VALVE KIT             | EA   |         |
| 21   | SOLENOID VALVE KIT            | EA   |         |
| 22   | BI ACCELERATOR TRIM KIT       | EA   |         |
| 23   | CONTROL VALVE KIT             | EA   |         |
| 24   | SOLENOID VALVE KIT            | EA   |         |
| 25   | BI ACCELERATOR TRIM KIT       | EA   |         |
| 26   | CONTROL VALVE KIT             | EA   |         |
| 27   | SOLENOID VALVE KIT            | EA   |         |
| 28   | BI ACCELERATOR TRIM KIT       | EA   |         |
| 29   | CONTROL VALVE KIT             | EA   |         |
| 30   | SOLENOID VALVE KIT            | EA   |         |
| 31   | BI ACCELERATOR TRIM KIT       | EA   |         |
| 32   | CONTROL VALVE KIT             | EA   |         |
| 33   | SOLENOID VALVE KIT            | EA   |         |
| 34   | BI ACCELERATOR TRIM KIT       | EA   |         |
| 35   | CONTROL VALVE KIT             | EA   |         |
| 36   | SOLENOID VALVE KIT            | EA   |         |
| 37   | BI ACCELERATOR TRIM KIT       | EA   |         |
| 38   | CONTROL VALVE KIT             | EA   |         |
| 39   | SOLENOID VALVE KIT            | EA   |         |
| 40   | BI ACCELERATOR TRIM KIT       | EA   |         |
| 41   | CONTROL VALVE KIT             | EA   |         |
| 42   | SOLENOID VALVE KIT            | EA   |         |
| 43   | BI ACCELERATOR TRIM KIT       | EA   |         |
| 44   | CONTROL VALVE KIT             | EA   |         |
| 45   | SOLENOID VALVE KIT            | EA   |         |
| 46   | BI ACCELERATOR TRIM KIT       | EA   |         |
| 47   | CONTROL VALVE KIT             | EA   |         |
| 48   | SOLENOID VALVE KIT            | EA   |         |
| 49   | BI ACCELERATOR TRIM KIT       | EA   |         |
| 50   | CONTROL VALVE KIT             | EA   |         |

| ITEM NUMBER | DESCRIPTION                   | UNIT | REMARKS |
|-------------|-------------------------------|------|---------|
| 1           | SOLENOID VALVE KIT            | EA   |         |
| 2           | CONTROL VALVE KIT             | EA   |         |
| 3           | BI ACCELERATOR TRIM KIT       | EA   |         |
| 4           | CONTROL PANEL KIT             | EA   |         |
| 5           | ELECTRICAL SUBASSEMBLY SYSTEM | EA   |         |
| 6           | NITROGEN TANK BRACKET         | EA   |         |
| 7           | BI ACCELERATOR TRIM KIT       | EA   |         |
| 8           | CONTROL VALVE KIT             | EA   |         |
| 9           | SOLENOID VALVE KIT            | EA   |         |
| 10          | BI ACCELERATOR TRIM KIT       | EA   |         |
| 11          | CONTROL VALVE KIT             | EA   |         |
| 12          | SOLENOID VALVE KIT            | EA   |         |
| 13          | BI ACCELERATOR TRIM KIT       | EA   |         |
| 14          | CONTROL VALVE KIT             | EA   |         |
| 15          | SOLENOID VALVE KIT            | EA   |         |
| 16          | BI ACCELERATOR TRIM KIT       | EA   |         |
| 17          | CONTROL VALVE KIT             | EA   |         |
| 18          | SOLENOID VALVE KIT            | EA   |         |
| 19          | BI ACCELERATOR TRIM KIT       | EA   |         |
| 20          | CONTROL VALVE KIT             | EA   |         |
| 21          | SOLENOID VALVE KIT            | EA   |         |
| 22          | BI ACCELERATOR TRIM KIT       | EA   |         |
| 23          | CONTROL VALVE KIT             | EA   |         |
| 24          | SOLENOID VALVE KIT            | EA   |         |
| 25          | BI ACCELERATOR TRIM KIT       | EA   |         |
| 26          | CONTROL VALVE KIT             | EA   |         |
| 27          | SOLENOID VALVE KIT            | EA   |         |
| 28          | BI ACCELERATOR TRIM KIT       | EA   |         |
| 29          | CONTROL VALVE KIT             | EA   |         |
| 30          | SOLENOID VALVE KIT            | EA   |         |
| 31          | BI ACCELERATOR TRIM KIT       | EA   |         |
| 32          | CONTROL VALVE KIT             | EA   |         |
| 33          | SOLENOID VALVE KIT            | EA   |         |
| 34          | BI ACCELERATOR TRIM KIT       | EA   |         |
| 35          | CONTROL VALVE KIT             | EA   |         |
| 36          | SOLENOID VALVE KIT            | EA   |         |
| 37          | BI ACCELERATOR TRIM KIT       | EA   |         |
| 38          | CONTROL VALVE KIT             | EA   |         |
| 39          | SOLENOID VALVE KIT            | EA   |         |
| 40          | BI ACCELERATOR TRIM KIT       | EA   |         |
| 41          | CONTROL VALVE KIT             | EA   |         |
| 42          | SOLENOID VALVE KIT            | EA   |         |
| 43          | BI ACCELERATOR TRIM KIT       | EA   |         |
| 44          | CONTROL VALVE KIT             | EA   |         |
| 45          | SOLENOID VALVE KIT            | EA   |         |
| 46          | BI ACCELERATOR TRIM KIT       | EA   |         |
| 47          | CONTROL VALVE KIT             | EA   |         |
| 48          | SOLENOID VALVE KIT            | EA   |         |
| 49          | BI ACCELERATOR TRIM KIT       | EA   |         |
| 50          | CONTROL VALVE KIT             | EA   |         |

SEE PART NUMBER TABLE

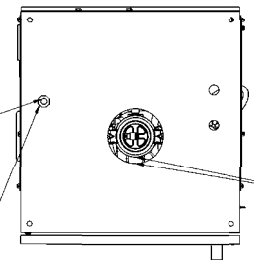
| ITEM NO. | PART NO.   | DESCRIPTION  | REMARKS | QTY. |
|----------|------------|--------------|---------|------|
| 1        | 6501200042 | TANK BRACKET |         | 1    |
| 2        | 6501200043 | W/ LOCK      |         | 1    |

NOTES:  
1. TEST PER RELIABLE SPECIFICATION (RHS).  
2. PACKAGING PER RELIABLE SPECIFICATION (RHS).  
3. AUTOMATIC TRENCH SEALANT FOR BONDING.  
4. DIMENSIONS IN BRACKETS ARE IN MM.  
5. MODEL A PMD NOT TO BE INCLUDED IF SHOWN AS A 4 OR A 6.  
6. IF NO AIRFLOW KIT IS INSTALLED, USE (ELEM 25) FOR AIRFLOW TO FLOW ON THE OPEN PART OF THE COMPRESSION FITTING. SEE ITEM 18 FOR AIRFLOW KIT.  
7. SHAPE OF COOPER LINE MAY CHANGE DEPENDING ON THE PNEUMATIC DEVICE BEING INSTALLED.  
8. SEE SHEET 2 OF 2 FOR MISC. DIMENSIONS.  
9. SEE SHEET 2 OF 2 FOR 47-49" DIMENSIONS.

THE DRAWING CONTAINS INFORMATION PROPRIETARY TO THE RELIABLE AUTOMATIC SPRAWLER CO. IF IT IS REPRODUCED OR TRANSMITTED IN ANY FORM OR BY ANY MEANS, WITHOUT THE SPECIFIC WRITTEN PERMISSION OF RELIABLE AUTOMATIC SPRAWLER CO., THE INFORMATION CONTAINED HEREIN IS UNLAWFUL.

| ITEM NO. | PART NO.   | DESCRIPTION  | REMARKS | QTY. |
|----------|------------|--------------|---------|------|
| 1        | 6501200042 | TANK BRACKET |         | 1    |
| 2        | 6501200043 | W/ LOCK      |         | 1    |

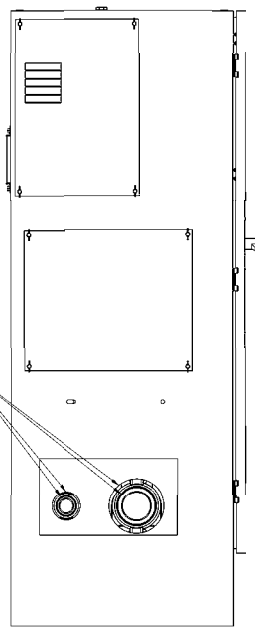
| REVISIONS |                           |      |          |
|-----------|---------------------------|------|----------|
| LTN       | DESCRIPTION               | DATE | DRAWN BY |
| 1         | FOR REVISIONS SEE SHEET 1 |      |          |



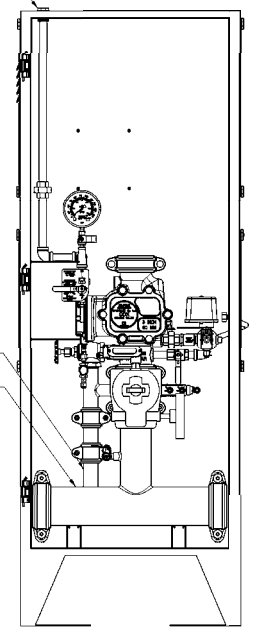
1/2" ANCHOR COMPLI

DRY VALVE ON PISTON SIDE  
CHECK VALVE TO BE CENTERED  
WITH CABINET'S OUTLET 1/2-1/4"

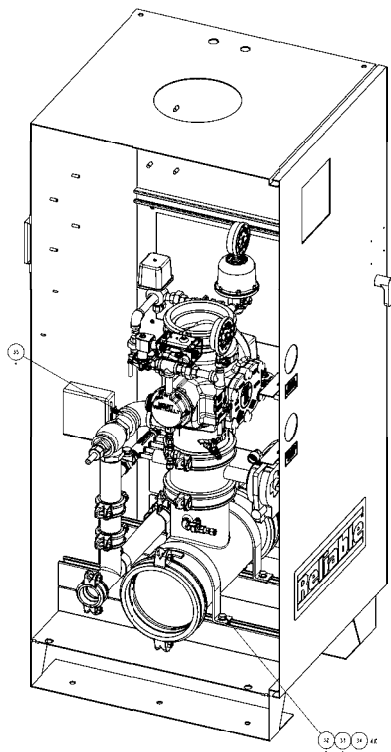
FOR DRY LINE WET PISTON SELECTED DRY PISTON:  
REMOVE SINGLE INTERLOCK WET PISTON  
REMOVE SINGLE INTERLOCK DRY PISTON AND  
REMOVE INTERLOCK TYPE WET CHECKING THE  
PISTON WITH THE TOP AND BOTTOM PANELS. USE 1/2" LINE  
PLUMBING TO MAKE AND BUREAU A 1/2-1/4" HOLE IN  
TOP OF THE CABINET. PLUMBING THE PISTON TO THE INLET  
1/2" ANCHOR PIN NECESSARY THRU THE HOLE



SAFETY AND GRAB HANDLES  
TO BE CENTERED FROM THE 1/2" LINE  
ACCESS PANEL'S HOLES 1/2-1/4"



DRAIN MANIFOLD  
SUPPLY MANIFOLD



△6'-8" PREPAK OSHPD VIEW  
①

|                                |   |
|--------------------------------|---|
| REL. NO.                       | THE RELIABLE AUTOMATIC SPRINKLER CO. INC. |
| DATE                           | SPRINK. CO.                               |
| FOR WET SCALE DRAWING          | PART NO. 655011190                        |
| RELATIVE DIMS. FROM SHARP EDGE | PROJECT NO.                               |
| STANDARD WELDING SYMBOLS USED  | PROJECT MODEL NO. PREPAK/ERTPAK 2'-8"     |
| SCALE & DIM. SYSTEM            | FILE NO.                                  |
| MADE IN U.S.A.                 | DATE BY AP                                |
| CONC. 1/8"                     | DATE 12/4/10                              |
| SQUAREDNESS - PARALLELISM      | SCALE 1/2"                                |
|                                | SHEET 2/42                                |

THIS DRAWING CONTAINS INFORMATION PROPRIETARY TO THE RELIABLE AUTOMATIC SPRINKLER CO. IT SHALL NOT BE REPRODUCED OR IN ANY MANNER DISCLOSED TO OTHERS WITHOUT THE SPECIFIC WRITTEN PERMISSION OF RELIABLE AUTOMATIC SPRINKLER CO.

| REVISIONS |                              |          |          |
|-----------|------------------------------|----------|----------|
| LTR       | DESCRIPTION                  | DATE     | DRAWN BY |
| ~         | RELEASE FOR PROD. ERN #13861 | 04/09/18 | MK       |
| A         | ECN #17943                   | 09/05/18 | AW       |

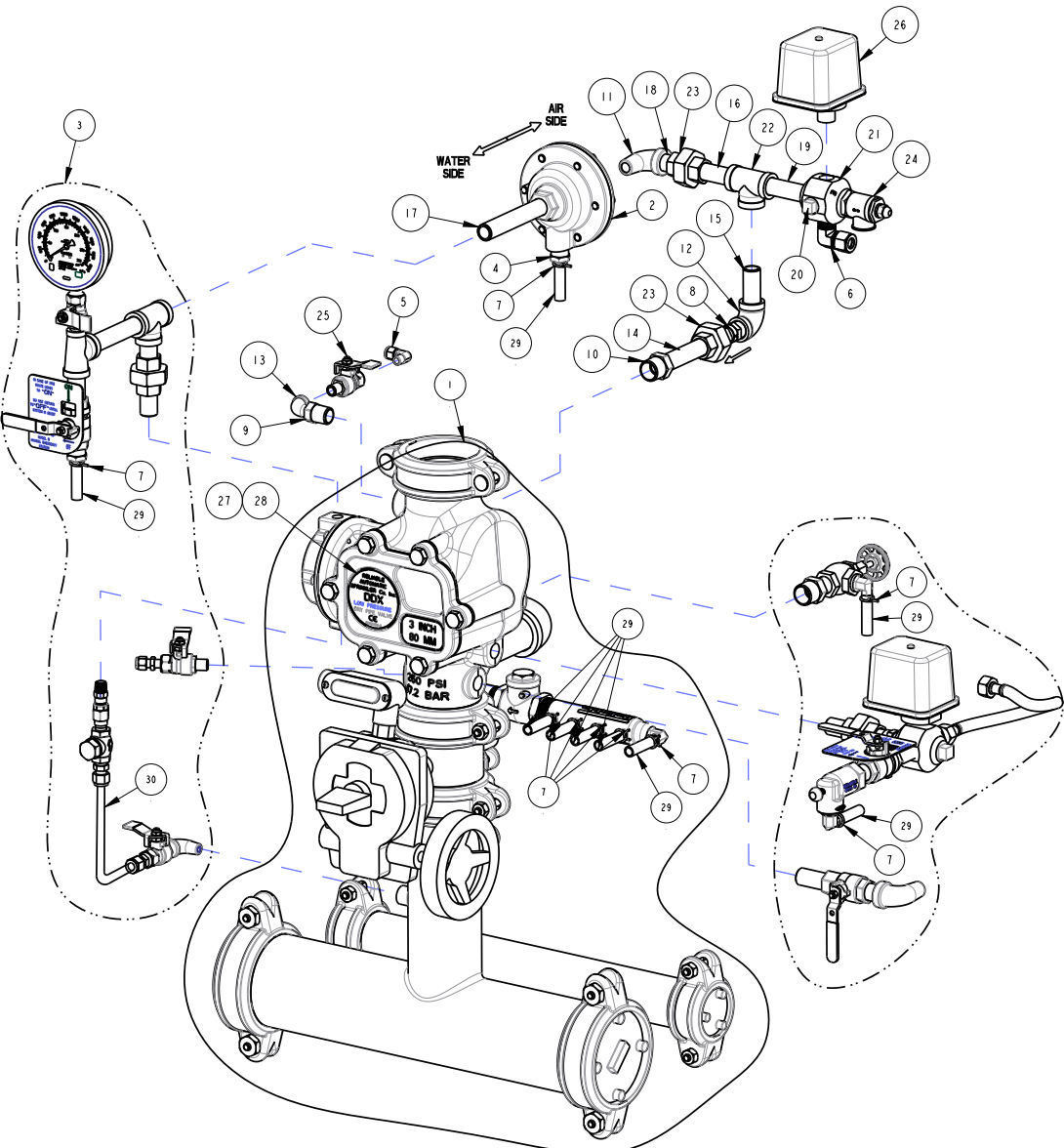
| PART NUMBER TABLE |              |                     |
|-------------------|--------------|---------------------|
| SIZE              | ASSEMBLY P/N | ITEM 1 SUB-ASSEMBLY |
| 2"                | 77008100     | 77000152            |
| 2-1/2"            | 77008200     | 77000153            |
| 3"                | 77008300     | 77000154            |

| 31       | 89097903      | THREAD SEALANT                                | NOT SHOWN | A/R   |
|----------|---------------|---|-----------|-------|
| 30       | 98768008      | COPPER TUBING                                 |           | 2 FT. |
| 29       | 96686701      | TUBING, PVC, 3/8" ID                          |           | 9 FT. |
| 28       | 99080002      | PAD-ADHESIVE                                  |           | 1     |
| 27       | 94616916      | NAMEPLATE, DRY PIPE VALVE                     |           | 1     |
| 26       | 6990019313    | SWITCH, POTTER PRESSURE (PS25-2)              |           | 1     |
| 25       | 98840237      | VALVE, BALL, 1/4" NPTF x 1/4" NPTM            |           | 1     |
| 24       | 98840190      | VALVE, RELIEF, 1/2", 40 PSI                   |           | 1     |
| 23       | 98815204      | UNION, "O" RING SEAL, GALV., 1/2"             |           | 2     |
| 22       | 98761651      | TEE, GLVN., 1/2"                              |           | 1     |
| 21       | 98751004      | FITTING, MULTIPORT, 1/2x1/2x1/2x1/2x1/2       |           | 1     |
| 20       | 98604406      | PLUG, IRON, SO. HD., 1/2"                     |           | 1     |
| 19       | 98543230      | NIPPLE, STEEL, GALV., 1/2" X 3"               |           | 1     |
| 18       | 98543223      | NIPPLE, STEEL, GALV., 1/2" X 1-1/2"           |           | 1     |
| 17       | 98543219      | NIPPLE, STEEL, GALV., 1/2" X 5"               |           | 1     |
| 16       | 98543210      | NIPPLE, STEEL, GALV., 1/2" X 2-1/2"           |           | 1     |
| 15       | 98543209      | NIPPLE, STEEL, GALV., 1/2" X 2"               |           | 1     |
| 14       | 98543207      | NIPPLE, STEEL, GALV., 1/2" X 4"               |           | 1     |
| 13       | 98174408      | ELBOW, STREET, 1/4", GALV.                    |           | 1     |
| 12       | 98174401      | ELL, 1/2", MALL IRON, GALV.                   |           | 1     |
| 11       | 98174400      | ELBOW, STREET, 1/2", GALV.                    |           | 1     |
| 10       | 98048022      | BUSHING, REDUCER, 3/4" X 1/2", GALV.          |           | 1     |
| 9        | 98048000      | BUSHING, REDUCER, 1/2" x 1/4", GALV.          |           | 1     |
| 8        | 96816904      | VALVE, CHECK, 1/2"                            |           | 1     |
| 7        | 95306255      | CLAMP, HOSE, 1/2" CONSTANT TENSION, ZINC      |           | 9     |
| 6        | 92606707      | ELBOW ADAPTER, 90°, 1/2" O.D. TUBE X 1/2" NPT |           | 1     |
| 5        | 92606704      | ELBOW, 90°, 1/4" NPTM x 1/4" COMP.            |           | 1     |
| 4        | 92056810      | CONNECTOR, 3/8" ID TUBE x 1/2" NPT            |           | 1     |
| 3        | 77000150      | TRIM, BASIC, PREPAK 2"-3"                     |           | 1     |
| 2        | 71030010      | MODEL LP PILOT LINE ACTUATOR                  |           | 1     |
| 1        | SEE P/N TABLE | SUB-ASSEMBLY, RISER                           |           | 1     |
| ITEM NO. | PART NO.      | DESCRIPTION                                   | REMARKS   | QTY.  |

**BILL OF MATERIALS**

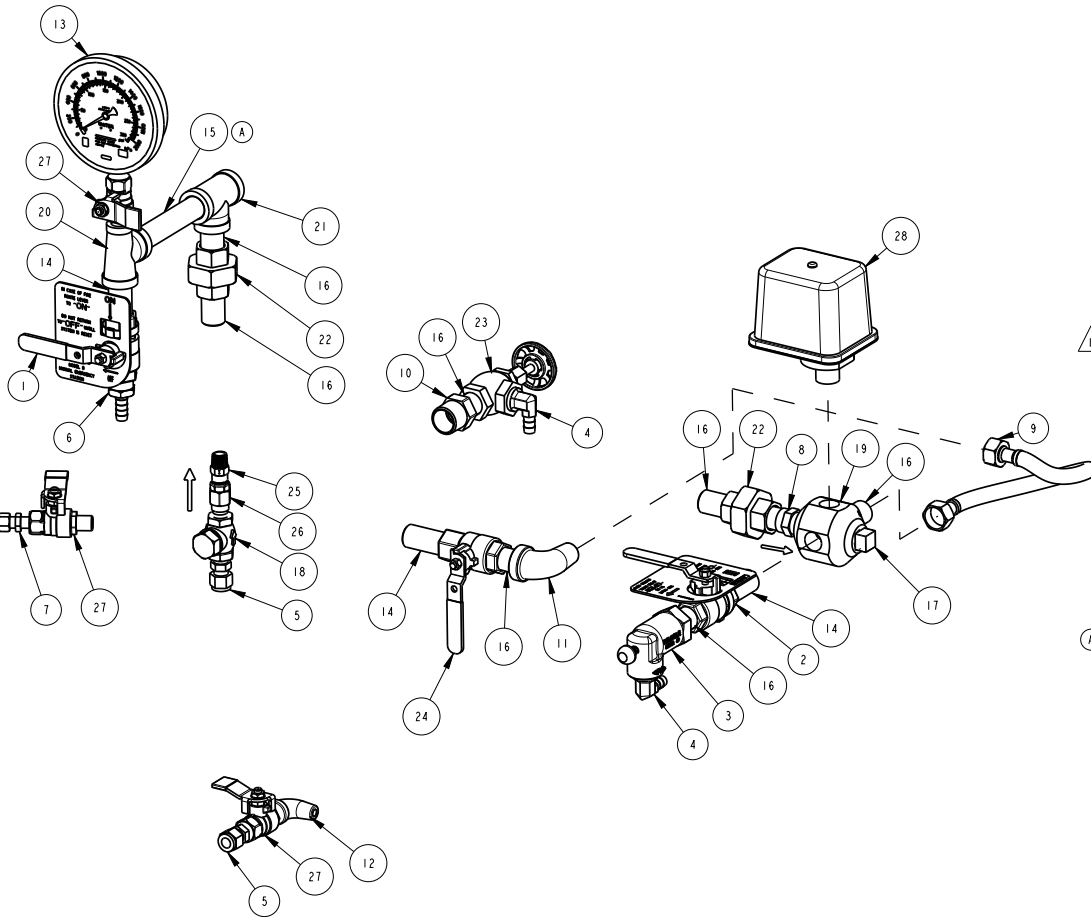
|  |                |   |           |
|--|----------------|---|-----------|
| MTL<br>N/A   | REV.<br>VER.   | THE RELIABLE AUTOMATIC SPRINKLER CO., INC.<br>LIBERTY, SC.        |           |
| FINISH   |                | PART NO: VARIOUS  | DWG.SI: C |
| DO NOT SCALE DRAWING<br>REMOVE BURRS. BREAK SHARP EDGES<br>TOLERANCE UNLESS OTHERWISE SPECIFIED:<br>ANGLE ± 1/2 63° FRACT. ± 1/32 [0.79]<br>MACH. FINISH DEC. XX ± .00 [0.25]<br>CONC. T.J.R. DEC. XXX ± .005 [0.13]<br>SQUARENESS - PARALLELISM |                | PART: RISER ASSEMBLY, DRYPAK<br>PRODUCT: 2"-3" DDX PREPAK, DRYPAK |           |
| FILE NO:<br>77008300   | ENGR: JJ       | DRW BY: MK  | CK'D:     |
| SCALE: 1:4   | DATE: 02/09/17 | SHEET 1 of 1  |           |

THIS DRAWING CONTAINS INFORMATION PROPRIETARY TO THE RELIABLE AUTOMATIC SPRINKLER CORP. IT MAY NOT BE REPRODUCED NOR MAY ANY INFORMATION HEREON BE DISCLOSED TO OTHERS WITHOUT THE SPECIFIC WRITTEN PERMISSION OF RELIABLE.



- NOTES:**
- 1. THREAD SEALANT NOT SHOWN. ALTERNATE THREAD SEALANT P/N 95516915.
  - 2. TEST PER RELIABLE SPEC NUMBER 10130.
  - 3. COUPLING NUTS ARE TO BE FACING THE FRONT OF ASSEMBLY.

| REVISIONS |                              |          |          |
|-----------|------------------------------|----------|----------|
| LTR       | DESCRIPTION                  | DATE     | DRAWN BY |
| ~         | RELEASE FOR PROD. ERN #13861 | 04/09/18 | MK       |
| A         | ECN #17783                   | 10/01/18 | MK       |



**NOTES:**

▲ THREAD SEALANT NOT SHOWN. ALTERNATE THREAD SEALANT P/N 95516915.

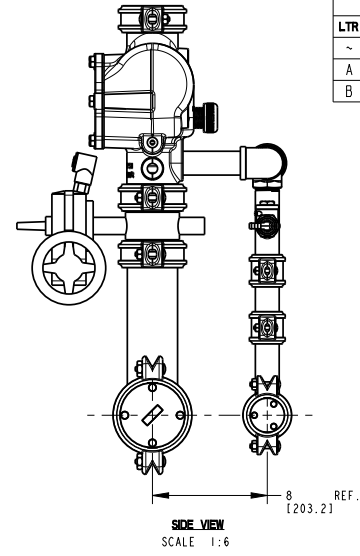
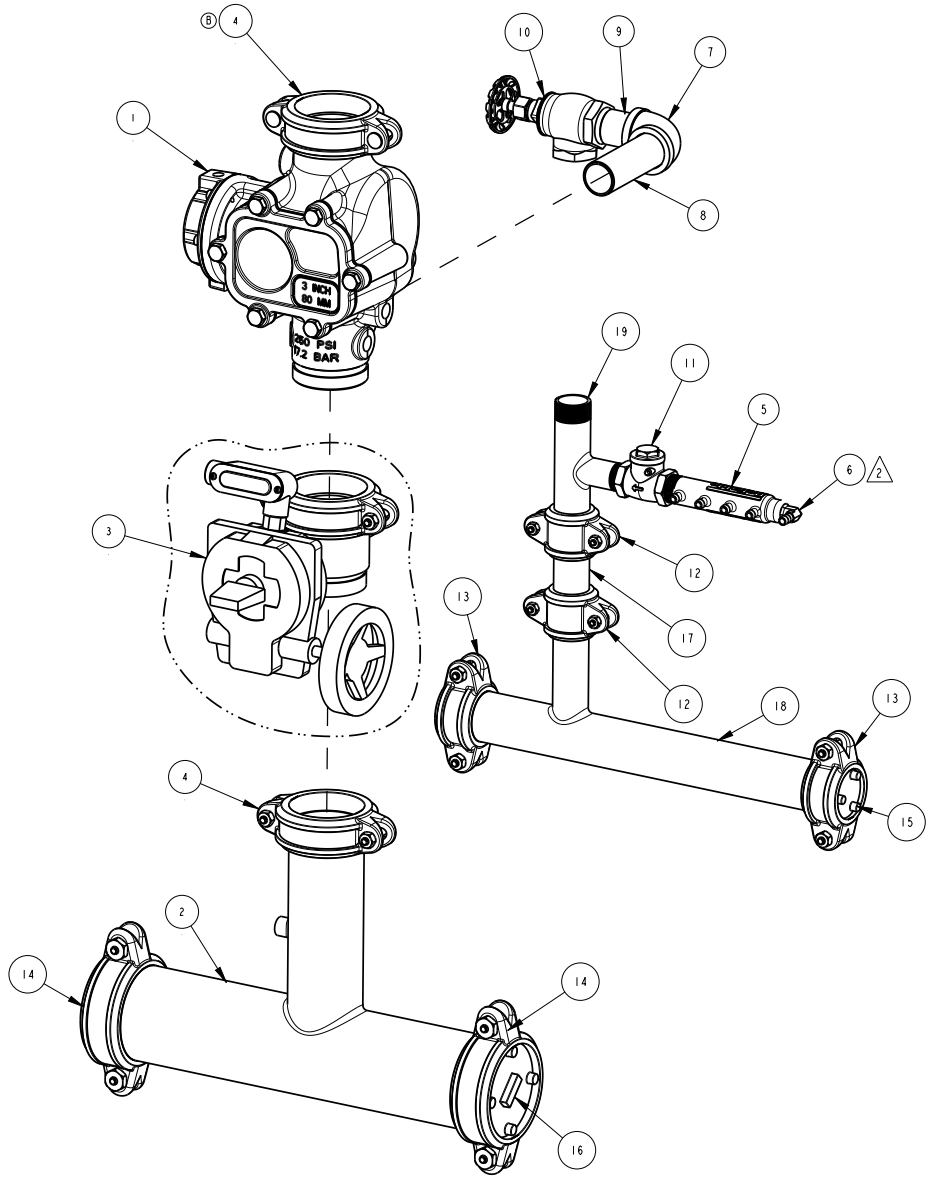
THIS DRAWING CONTAINS INFORMATION PROPRIETARY TO THE RELIABLE AUTOMATIC SPRINKLER CORP. IT MAY NOT BE REPRODUCED NOR MAY ANY INFORMATION HEREON BE DISCLOSED TO OTHERS WITHOUT THE SPECIFIC WRITTEN PERMISSION OF RELIABLE

|    |           |  |  |     |
|----|-----------|--|--|-----|
| 29 | 89097903  | THREAD SEALANT                                 |  | A/R |
| 28 | 699006382 | SWITCH, PRESSURE (PS10-2)                      |  | 1   |
| 27 | 98840237  | VALVE, BALL, 1/4" NPTF x 1/4" NPTM             |  | 3   |
| 26 | 98840188  | VALVE, CHECK, 1/4" NPTM x 1/4" NPTF            |  | 1   |
| 25 | 98840147  | CHECK VALVE, 1/4" NPT, POPPET TYPE INLINE      |  | 1   |
| 24 | 98840109  | VALVE, BALL, 1/2"                              |  | 1   |
| 23 | 98840103  | VALVE, ANGLE, 1/2"                             |  | 1   |
| 22 | 98815200  | UNION, 1/2", IRON, G.J., GALV.                 |  | 2   |
| 21 | 98761651  | TEE, GLVN., 1/2"                               |  | 1   |
| 20 | 98761649  | TEE, GLVN., 1/2 X 1/4 X 1/2                    |  | 1   |
| 19 | 98751005  | FITTING, MULTIPORT, 3/4x1/2x1/2x1/2x1/2        |  | 1   |
| 18 | 98727607  | STRAINER, 1/4"                                 |  | 1   |
| 17 | 98614401  | PLUG, IRON, SO. HD., 3/4"                      |  | 1   |
| 16 | 98543223  | NIPPLE, STEEL, GALV., 1/2" X 1-1/2"            |  | 7   |
| 15 | 98543228  | NIPPLE, STEEL, GALV., 1/2" X 4-1/2"            |  | 1   |
| 14 | 98543209  | NIPPLE, STEEL, GALV., 1/2" X 2"                |  | 3   |
| 13 | 98248001  | GAUGE, WATER PRESSURE (0-300 PSI)              |  | 1   |
| 12 | 98174408  | ELBOW, STREET, 1/4", GALV.                     |  | 1   |
| 11 | 98174400  | ELBOW, STREET, 1/2", GALV.                     |  | 1   |
| 10 | 98048022  | BUSHING, REDUCER, 3/4" X 1/2", GALV.           |  | 1   |
| 9  | 96920912  | FLEX LINE, 12"                                 |  | 1   |
| 8  | 96816904  | VALVE, CHECK, 1/2"                             |  | 1   |
| 7  | 92500000  | FITTING, 1/4" COMP x 1/4" NPTM                 |  | 1   |
| 6  | 92056810  | CONNECTOR, 3/8" ID TUBE x 1/2" NPT             |  | 1   |
| 5  | 92056735  | 3/8" OD X 1/4" NPT BRG COMP. FITTING, SWAGELOK |  | 2   |
| 4  | 92056704  | CONNECTOR, ELBOW, 3/8" ID TUBE x 1/2" NPT      |  | 2   |
| 3  | 78653800  | ASSEMBLY, BALL DRIP, 1/2"                      |  | 1   |
| 2  | 78653004  | ASSEMBLY, VALVE CAUTION STATION, 1/2"          |  | 1   |
| 1  | 78653000  | ASSEMBLY, MANUAL EMERGENCY STATION             |  | 1   |

**BILL OF MATERIALS**

|  |   |                |              |
|--|---|----------------|--------------|
| MTL<br>N/A   | THE RELIABLE AUTOMATIC SPRINKLER CO., INC.<br>LIBERTY, S.C. |                |              |
| FINISH   | PART NO: 77000150   | DWG.SIZE: C    |              |
| DO NOT SCALE DRAWING<br>REMOVE BURRS, BREAK SHARP EDGES<br>TOLERANCE UNLESS OTHERWISE SPECIFIED: | PART: TRIM, BASIC, PREPAK 2"-3"                             |                |              |
| ANGLE ± 1/2 °  | PRODUCT: PREPAKS/DRYPAKS                                    |                |              |
| MACH. FINISH   | FILE NO: 77000150   | ENG: JJ        | DRW BY: MK   |
| CONC. T.J.R.   | SCALE: 1:3  | DATE: 02/06/17 | SHEET 1 of 1 |
| SQUARENESS - PARALLELISM   |   |                |              |

| REVISIONS |                              |          |          |
|-----------|------------------------------|----------|----------|
| LTR       | DESCRIPTION                  | DATE     | DRAWN BY |
| ~         | RELEASE FOR PROD. ERN #13861 | 04/09/18 | MK       |
| A         | ECN #18183                   | 09/18/28 | AW       |
| B         | ECN #19183                   | 03/22/19 | MK       |



| PART NUMBER TABLE |                  |                  |                        |                      |                       |
|-------------------|------------------|------------------|------------------------|----------------------|-----------------------|
| SIZE              | SUB-ASSEMBLY P/N | ITEM 1 DDX VALVE | ITEM 2 MANIFOLD SUPPLY | ITEM 3 CONTROL VALVE | ITEM 4 RIGID COUPLING |
| 2"                | 77000152         | 6103022000       | 91014219               | 77000301             | 7605080800            |
| 2-1/2"            | 77000153         | 6103022500       | 91014211               | 77000302             | 7605101000            |
| 3"                | 77000154         | 6103030000       | 91014212               | 77000303             | 7605121200            |

| ITEM NO. | PART NO.      | DESCRIPTION                               | REMARKS   | QTY. |
|----------|---------------|---|-----------|------|
| 20       | 89097903      | THREAD SEALANT                            | NOT SHOWN | A/R  |
| 19       | 9101423C      | MANIFOLD, 1-1/4 X 1-1/4 X 1, GRV/THD/THD  |           | 1    |
| 18       | 9101422F      | MANIFOLD, DRAIN, 2" X 1-1/4"              |           | 1    |
| 17       | 9100421J      | SPOOL, DRAIN, CLEAR                       |           | 1    |
| 16       | 7G35160000    | CAP, COUPLING, 4"                         |           | 1    |
| 15       | 7G35080000    | CAP, COUPLING, 2"                         |           | 1    |
| 14       | 7G05161600    | COUPLING, RIGID, 4"                       |           | 2    |
| 13       | 7G05080800    | COUPLING, RIGID, 2"                       |           | 2    |
| 12       | 7G05050500    | COUPLING, RIGID, 1-1/4"                   |           | 2    |
| 11       | 98840145      | SWING CHECK VALVE, 1" NPT                 |           | 1    |
| 10       | 98840106      | VALVE, ANGLE, 1 1/4"                      |           | 1    |
| 9        | 98543285      | NIPPLE, STEEL, GALV., 1-1/4" X CLOSE      |           | 1    |
| 8        | 98543284      | NIPPLE, STEEL, GALV., 1-1/4" X 5"         |           | 1    |
| 7        | 98174414      | ELL, 1-1/4", MALL IRON, GALV.             |           | 1    |
| 6        | 92056704      | CONNECTOR, ELBOW, 3/8" ID TUBE X 1/2" NPT |           | 1    |
| 5        | 91004296      | MANIFOLD, DRAIN, BARBED                   |           | 1    |
| 4        |               | COUPLING, RIGID                           |           | 2    |
| 3        | SEE P/N TABLE | SUBASSEMBLY, CONTROL VALVE                |           | 1    |
| 2        |               | MANIFOLD, SUPPLY                          |           | 1    |
| 1        |               | ASSEMBLY, VALVE                           |           | 1    |

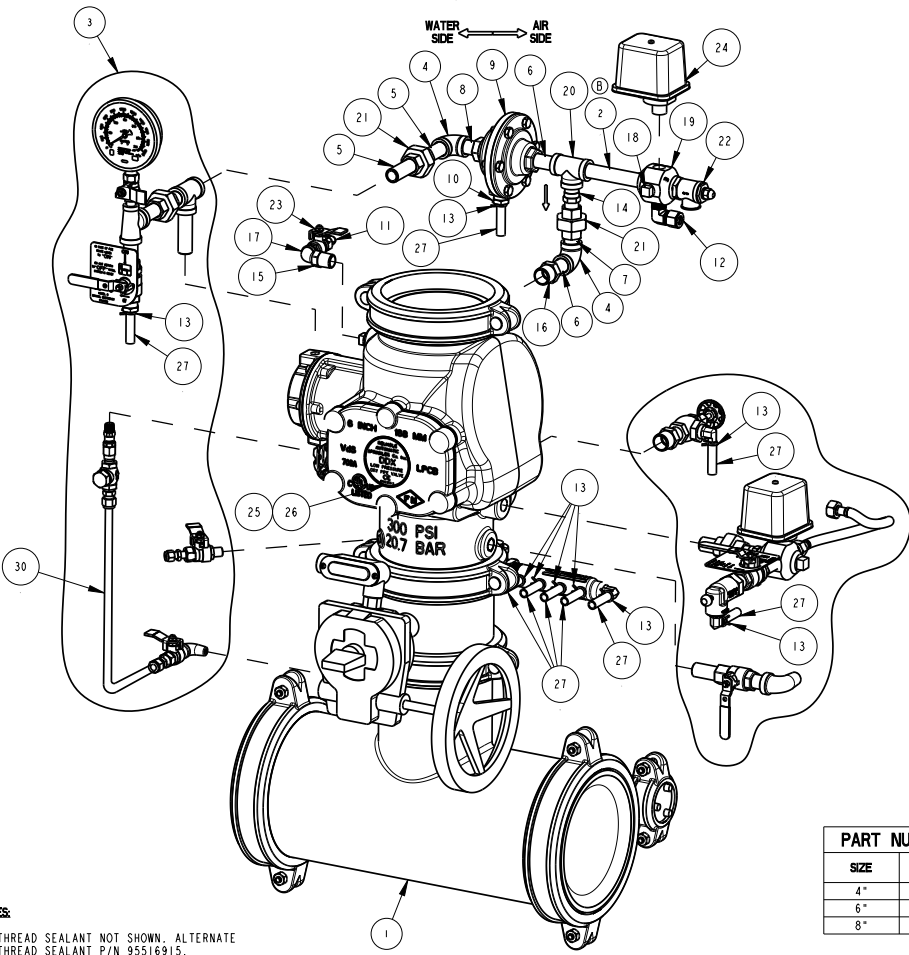
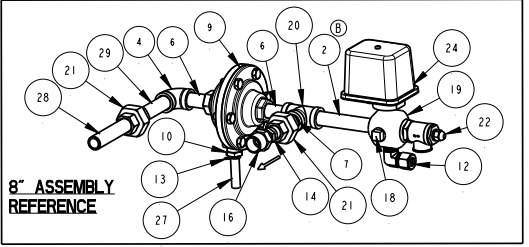
**BILL OF MATERIALS**

|  |   |   |                                     |
|--|---|---|-------------------------------------|
| MTL<br>N/A   | THE RELIABLE AUTOMATIC SPRINKLER CO. INC.<br>LIBERTY, SC. |   |                                     |
| FINISH   | PART NO: VARIOUS  | DWS.SIZE: C                                     |                                     |
| DO NOT SCALE DRAWING<br>REMOVE BURRS, BREAK SHARP EDGES<br>TOLERANCE UNLESS OTHERWISE SPECIFIED: | PART: RISER SUB-ASSEMBLY                                  |   |                                     |
| ANGLE ± 1/2 63°<br>MACH FINISH<br>CONC.<br>SQUARENESS - PARALLELISM                              | PRODUCT: 2"-3" PREPAK                                     | FILE NO: 77000154                               | ENG: JJ<br>DRW BY: MK<br>SCALE: 1:4 |
|  |   | DEC. XX ± .010 [0.25]<br>DEC. XXX ± .005 [0.13] | DRW BY: MK<br>DATE: 02/06/17        |
|  |   |   | C'K'D:<br>SHEET 1 of 1              |

- NOTES:**
- ① THREAD SEALANT NOT SHOWN. ALTERNATE THREAD SEALANT P/N 95516915.
  - ② IF AN AIR COMPRESSOR IS NOT INCLUDED WITHIN THE TOP ASSEMBLY, REPLACE ITEM #6 WITH A 1/2" PLUG P/N 98604406.

THIS DRAWING CONTAINS INFORMATION PROPRIETARY TO THE RELIABLE AUTOMATIC SPRINKLER CORP. IT MAY NOT BE REPRODUCED NOR MAY ANY INFORMATION HEREON BE DISCLOSED TO OTHERS WITHOUT THE SPECIFIC WRITTEN PERMISSION OF RELIABLE.

| REVISIONS |                              |          |          |
|-----------|------------------------------|----------|----------|
| LTR       | DESCRIPTION                  | DATE     | DRAWN BY |
| ~         | RELEASE FOR PROD. ERN #13861 | 04/09/18 | MK       |
| A         | ECN #17943                   | 09/05/18 | AW       |
| B         | ECN #19183                   | 03/22/19 | MK       |



| PART NUMBER TABLE |              |
|-------------------|--------------|
| SIZE              | ASSEMBLY P/N |
| 4"                | 77008400     |
| 6"                | 77008500     |
| 8"                | 77008600     |

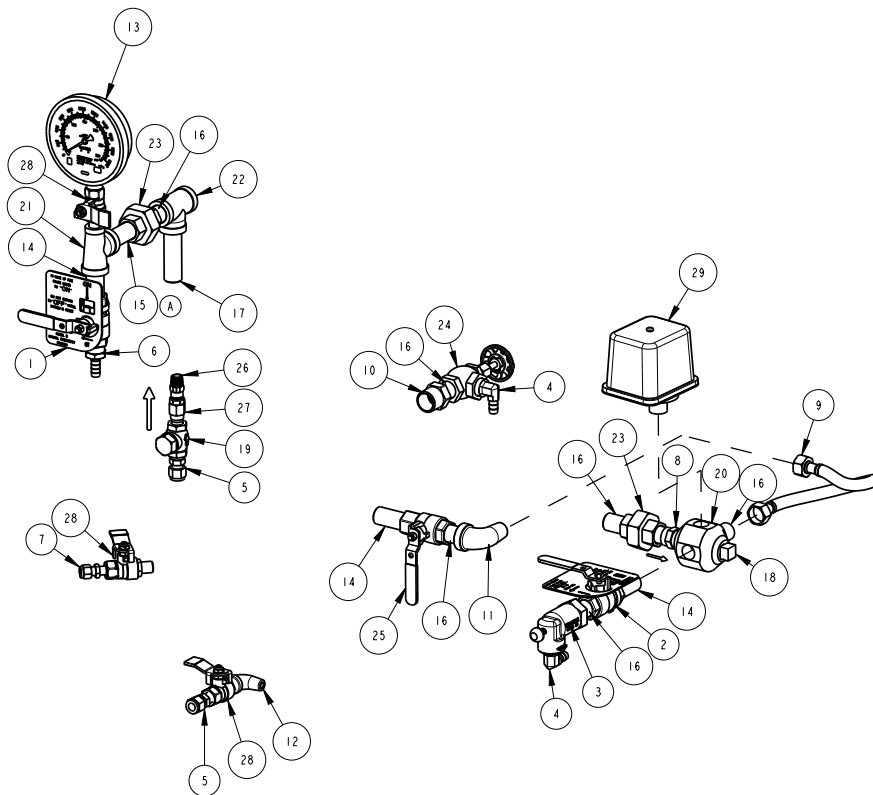
|    |            |   |               |       |
|----|------------|---|---------------|-------|
| 31 | 89097903   | THREAD SEALANT                                | NOT SHOWN     | A/R   |
| 30 | 98768008   | COPPER TUBING                                 |               | 2 FT. |
| 29 | 98543216   | NIPPLE, STEEL, GALV., 1/2" X 3-1/2"           | 8" ONLY       | 1     |
| 28 | 98543207   | NIPPLE, STEEL, GALV., 1/2" X 4"               | 8" ONLY       | 1     |
| 27 | 96686701   | TUBING, PVC, 3/8" ID                          |               | 9 FT. |
| 26 | 99080002   | PAD-ADHESIVE                                  |               | 1     |
| 25 | 94616916   | NAMEPLATE, DRY PIPE VALVE                     |               | 1     |
| 24 | 6990019313 | SWITCH, POTTER PRESSURE (PS25-2)              |               | 1     |
| 23 | 98840237   | VALVE, BALL, 1/4" NPTF x 1/4" NPTM            |               | 1     |
| 22 | 98840190   | VALVE, RELIEF, 1/2", 40 PSI                   |               | 1     |
| 21 | 98815200   | UNION, 1/2", IRON, G.J., GALV.                |               | 2     |
| 20 | 98761651   | TEE, GLVN., 1/2"                              |               | 1     |
| 19 | 98751004   | FITTING, MULTIPORT, 1/2x1/2x1/2x1/2x1/2       |               | 1     |
| 18 | 98604406   | PLUG, IRON, SO. HD., 1/2"                     |               | 1     |
| 17 | 98174408   | ELBOW, STREET, 1/4", GALV.                    |               | 1     |
| 16 | 98048022   | BUSHING, REDUCER, 3/4" X 1/2", GALV.          |               | 1     |
| 15 | 98048000   | BUSHING, REDUCER, 1/2" x 1/4", GALV.          |               | 1     |
| 14 | 96816904   | VALVE, CHECK, 1/2"                            |               | 1     |
| 13 | 95306255   | CLAMP, HOSE, 1/2" CONSTANT TENSION, ZINC      |               | 9     |
| 12 | 92606707   | ELBOW ADAPTER, 90°, 1/2" O.D. TUBE X 1/2" NPT |               | 1     |
| 11 | 92606704   | ELBOW, 90°, 1/4" NPTM x 1/4" COMP.            |               | 1     |
| 10 | 92056810   | CONNECTOR, 3/8" ID TUBE x 1/2" NPT            |               | 1     |
| 9  | 71030010   | MODEL LP PILOT LINE ACTUATOR                  |               | 1     |
| 8  | 98543223   | NIPPLE, STEEL, GALV., 1/2" X 1-1/2"           | 4" & 6" ONLY  | 1     |
| 7  | 98543212   | NIPPLE, STEEL, GALV., 1/2" X CLOSE            |               | 1     |
| 6  | 98543209   | NIPPLE, STEEL, GALV., 1/2" X 2"               |               | 2     |
| 5  | 98543210   | NIPPLE, STEEL, GALV., 1/2" X 2-1/2"           | 4" & 6" ONLY  | 2     |
| 4  | 98174401   | ELL, 1/2", MALL IRON, GALV.                   | 1 QTY. FOR 8" | 2     |
| 3  | 77000151   | TRIM, BASIC, PREPAK 4"-8"                     |               | 1     |
| 2  | 98543230   | NIPPLE, STEEL, GALV., 1/2" X 3"               | 4" ONLY       | 1     |
|    | 98543228   | NIPPLE, STEEL, GALV., 1/2" X 4-1/2"           | 6" & 8" ONLY  | 1     |
| 1  | 77000157   | RISER SUB-ASSEMBLY, 8"                        |               | 1     |
|    | 77000156   | RISER SUB-ASSEMBLY, 6"                        |               | 1     |
|    | 77000155   | RISER SUB-ASSEMBLY, 4"                        |               | 1     |

| ITEM NO.   | PART NO. | DESCRIPTION  | REMARKS     | QTY.         |
|--|----------|--|-------------|--------------|
| <b>BILL OF MATERIALS</b>   |          |  |             |              |
| MTL N/A  |          | THE RELIABLE AUTOMATIC SPRINKLER CO., INC. LIBERTY, S.C. |             |              |
| FINISH:  |          | PART NO. SEE TABLE (B)                                   | DWG SIZE: C |              |
| DO NOT SCALE DRAWING REMOVE BURRS, BREAK SHARP EDGES TOLERANCE UNLESS OTHERWISE SPECIFIED: |          | PART: TRIM, DRYPAK                                       |             |              |
| ANGLE ± 1/2 ° / MACH. FINISH   |          | PRODUCT: PREPAKS DRYPAK 4", 6", & 8"                     |             |              |
| CONC. T.I.R. SQUARENESS - PARALLELISM  |          | FILE NO: 77008500  | ENG: JJ     | DRW BY: C'KD |
|  |          | SCALE: 1:5   | DATE:       | SHEET 1 of 1 |

- NOTES:**
- 1. THREAD SEALANT NOT SHOWN. ALTERNATE THREAD SEALANT P/N 95516915.
  - 2. TEST PER RELIABLE SPEC NUMBER 10130.
  - 3. COUPLING NUTS ARE TO BE FACING THE FRONT OF ASSEMBLY.

THIS DRAWING CONTAINS INFORMATION PROPRIETARY TO THE RELIABLE AUTOMATIC SPRINKLER CORP. IT MAY NOT BE REPRODUCED NOR MAY ANY INFORMATION HEREON BE DISCLOSED TO OTHERS WITHOUT THE SPECIFIC WRITTEN PERMISSION OF RELIABLE.

| REVISIONS |                              |          |          |
|-----------|------------------------------|----------|----------|
| LTR       | DESCRIPTION                  | DATE     | DRAWN BY |
| -         | RELEASE FOR PROD. ERN #13861 | 04/09/18 | MK       |
| A         | ECN #17783                   | 10/01/18 | MK       |



NOTES:

⚠ THREAD SEALANT NOT SHOWN. ALTERNATE THREAD SEALANT P/N 95516915.

THIS DRAWING CONTAINS INFORMATION PROPRIETARY TO THE RELIABLE AUTOMATIC SPRINKLER CORP. IT MAY NOT BE REPRODUCED NOR MAY ANY INFORMATION HEREON BE DISCLOSED TO OTHERS WITHOUT THE SPECIFIC WRITTEN PERMISSION OF RELIABLE.

|    |            |  |           |     |
|----|------------|--|-----------|-----|
| 30 | 89097903   | THREAD SEALANT                                 | NOT SHOWN | A/R |
| 29 | 6990006382 | SWITCH, PRESSURE (PS10-2)                      |           | 1   |
| 28 | 98840237   | VALVE, BALL, 1/4" NPTF x 1/4" NPTM             |           | 3   |
| 27 | 98840188   | VALVE, CHECK, 1/4" NPTM x 1/4" NPTF            |           | 1   |
| 26 | 98840147   | CHECK VALVE, 1/4" NPT, POPPET TYPE INLINE      |           | 1   |
| 25 | 98840109   | VALVE, BALL, 1/2"                              |           | 1   |
| 24 | 98840103   | VALVE, ANGLE, 1/2"                             |           | 1   |
| 23 | 98815200   | UNION, 1/2", IRON, G.J., GALV.                 |           | 2   |
| 22 | 98761651   | TEE, GLVN., 1/2"                               |           | 1   |
| 21 | 98761649   | TEE, GLVN., 1/2 X 1/4 X 1/2                    |           | 1   |
| 20 | 98751005   | FITTING, MULTIPORT, 3/4x1/2x1/2x1/2x1/2        |           | 1   |
| 19 | 98727607   | STRAINER, 1/4"                                 |           | 1   |
| 18 | 98614401   | PLUG, IRON, SQ. HD., 3/4"                      |           | 1   |
| 17 | 98543230   | NIPPLE, STEEL, GALV., 1/2" X 3"                |           | 1   |
| 16 | 98543223   | NIPPLE, STEEL, GALV., 1/2" X 1-1/2"            |           | 6   |
| 15 | 98543210   | NIPPLE, STEEL, GALV., 1/2" X 2-1/2"            |           | 1   |
| 14 | 98543209   | NIPPLE, STEEL, GALV., 1/2" X 2"                |           | 3   |
| 13 | 98248001   | GAUGE, WATER PRESSURE (0-300 PSI)              |           | 1   |
| 12 | 98174408   | ELBOW, STREET, 1/4", GALV.                     |           | 1   |
| 11 | 98174400   | ELBOW, STREET, 1/2", GALV.                     |           | 1   |
| 10 | 98048022   | BUSHING, REDUCER, 3/4" X 1/2", GALV.           |           | 1   |
| 9  | 96920912   | FLEX LINE, 12"                                 |           | 1   |
| 8  | 96816904   | VALVE, CHECK, 1/2"                             |           | 1   |
| 7  | 92500000   | FITTING, 1/4" COMP x 1/4" NPTM                 |           | 1   |
| 6  | 92056810   | CONNECTOR, 3/8" ID TUBE x 1/2" NPT             |           | 1   |
| 5  | 92056735   | 3/8" OD X 1/4" NPT BRS COMP. FITTING, SWAGELOK |           | 2   |
| 4  | 92056704   | CONNECTOR, ELBOW, 3/8" ID TUBE x 1/2" NPT      |           | 2   |
| 3  | 78653800   | ASSEMBLY, BALL DRIP, 1/2"                      |           | 1   |
| 2  | 78653004   | ASSEMBLY, VALVE CAUTION STATION, 1/2"          |           | 1   |
| 1  | 78653000   | ASSEMBLY, MANUAL EMERGENCY STATION             |           | 1   |

A

BILL OF MATERIALS

|  |   |                |              |        |
|--|---|----------------|--------------|--------|
| MTL<br>N/A   | THE RELIABLE AUTOMATIC SPRINKLER CO., INC.<br>LIBERTY, S.C. |                |              |        |
| FINISH:  | PART NO: 77000151   | DWG.SIZE: C    |              |        |
| DO NOT SCALE DRAWING<br>REMOVE BURRS, BREAK SHARP EDGES<br>TOLERANCE UNLESS OTHERWISE SPECIFIED: | PART: TRIM, BASIC, PREPAK 4"-8"                             |                |              |        |
| ANGLE ± 1/2 63°  | PRODUCT: PREPAKS/DRYPAKS                                    |                |              |        |
| MACH. FINISH ✓   | FILE NO: 77000151   | ENG: JJ        | DRW BY: MK   | C'K'D: |
| CONC. TYP. SQUARENESS - PARALLELISM  | SCALE: 1:4  | DATE: 05/22/17 | SHEET 1 of 1 |        |

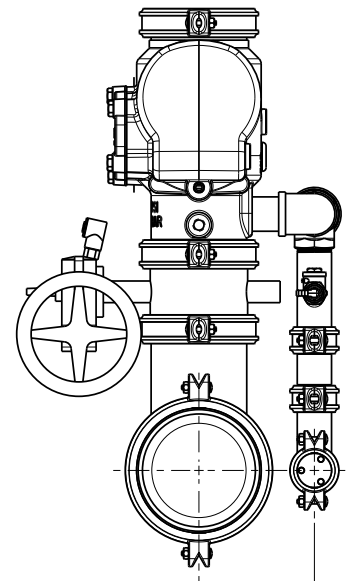
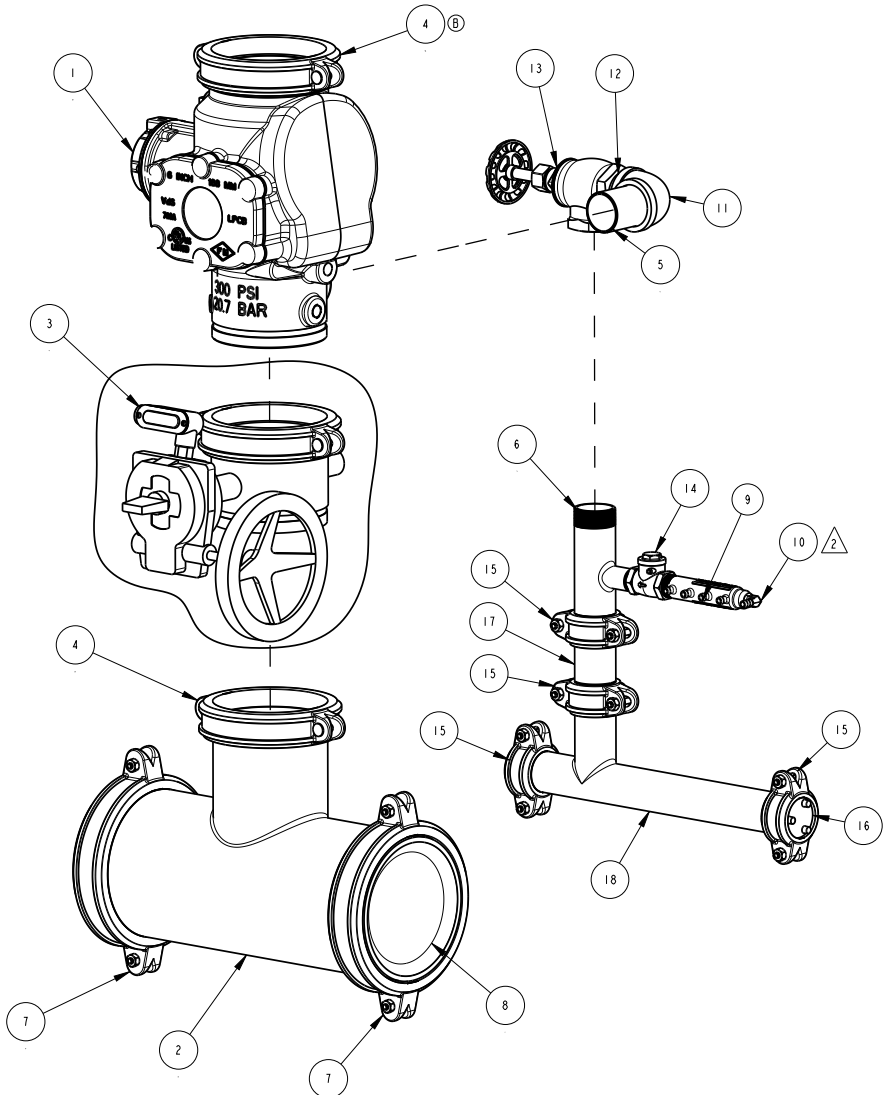
4

3

2

1

| REVISIONS |                              |          |          |
|-----------|------------------------------|----------|----------|
| LTR       | DESCRIPTION                  | DATE     | DRAWN BY |
| ~         | RELEASE FOR PROD. ERN #13861 | 04/09/18 | MK       |
| A         | ECN #18183                   | 09/28/18 | AW       |
| B         | ECN #19183                   | 03/22/19 | MK       |



SIDE VIEW  
SCALE 1:6

| ITEM NO. | PART NO.   | DESCRIPTION                               | REMARKS   | QTY. |
|----------|------------|---|-----------|------|
| 19       | 89097903   | THREAD SEALANT                            | NOT SHOWN | A/R  |
| 18       | 9101423A   | MANIFOLD, DRAIN, 2"                       |           | 1    |
| 17       | 9100421E   | SPOOL, DRAIN, CLEAR                       |           | 1    |
| 16       | 7635080000 | CAP, COUPLING, 2"                         |           | 1    |
| 15       | 7605080800 | COUPLING, RIGID, 2"                       |           | 4    |
| 14       | 98840145   | SWING CHECK VALVE, 1" NPT                 |           | 1    |
| 13       | 98840100   | VALVE, ANGLE, 2"                          |           | 1    |
| 12       | 98543238   | NIPPLE, STEEL, GALV., 2" X CLOSE          |           | 1    |
| 11       | 98174405   | ELL, 2", MALL IRON, GALV.                 |           | 1    |
| 10       | 92056704   | CONNECTOR, ELBOW, 3/8" ID TUBE x 1/2" NPT |           | 1    |
| 9        | 91004296   | MANIFOLD, DRAIN, BARBED                   |           | 1    |
| 8        |            | CAP, COUPLING                             |           | 1    |
| 7        |            | COUPLING, RIGID                           |           | 2    |
| 6        |            | MANIFOLD, GRV/THD/THD                     |           | 1    |
| 5        |            | NIPPLE, STEEL, GALV.                      |           | 1    |
| 4        |            | COUPLING, RIGID                           |           | 2    |
| 3        |            | SUBASSEMBLY, CONTROL VALVE                |           | 1    |
| 2        |            | MANIFOLD, SUPPLY                          |           | 1    |
| 1        |            | ASSEMBLY, VALVE                           |           | 1    |

| PART NUMBER TABLE |                  |                  |                        |                      |                       |                                  |                              |                       |                     |
|-------------------|------------------|------------------|------------------------|----------------------|-----------------------|----------------------------------|------------------------------|-----------------------|---------------------|
| SIZE              | SUB-ASSEMBLY P/N | ITEM 1 DDX VALVE | ITEM 2 MANIFOLD SUPPLY | ITEM 3 CONTROL VALVE | ITEM 4 RIGID COUPLING | ITEM 5 PIPE NIPPLE, STEEL, GALV. | ITEM 6 MANIFOLD, GRV/THD/THD | ITEM 7 RIGID COUPLING | ITEM 8 COUPLING CAP |
| 4"                | 77000155         | 6103040026       | 91014205               | 77000304             | 7605161600            | 98543262 (2" x 3-1/2")           | 9101423B                     | 7605161600            | 7635160000          |
| 6"                | 77000156         | 6103060024       | 9101421P               | 77000306             | 7605242400            | 98543208 (2" x 3")               | 9101423D                     | 7605323200            | 7635320000          |
| 8"                | 77000157         | 6103080003       | 91014295               | 77000308             | 7605323200            | 98543238 (2" x CLOSE)            | 9101423D                     | 7605323200            | 7635320000          |

NOTES:  
 ⚠️ THREAD SEALANT NOT SHOWN. ALTERNATE THREAD SEALANT P/N 95516915.  
 Ⓟ IF AN AIR COMPRESSOR IS NOT INCLUDED WITHIN THE TOP ASSEMBLY, REPLACE ITEM #10 WITH A 1/2" PLUG P/N 98604406.

THIS DRAWING CONTAINS INFORMATION PROPRIETARY TO THE RELIABLE AUTOMATIC SPRINKLER CORP. IT MAY NOT BE REPRODUCED NOR MAY ANY INFORMATION HEREON BE DISCLOSED TO OTHERS WITHOUT THE SPECIFIC WRITTEN PERMISSION OF RELIABLE.

| BILL OF MATERIALS  |  |                |              |
|--|--|----------------|--------------|
| MTL N/A  | THE RELIABLE AUTOMATIC SPRINKLER CO., INC. LIBERTY, S.C. |                |              |
| FINISH:  | PART NO: SEE TABLE                                       | DWG.SIZE: C    |              |
| DO NOT SCALE DRAWING REMOVE BURRS. BREAK SHARP EDGES TOLERANCE UNLESS OTHERWISE SPECIFIED: | PART: RISER SUB-ASSEMBLY                                 |                |              |
| ANGLE ± 1/2 °  | PRODUCT: 4"-8" PREPAK                                    |                |              |
| MACH FINISH  | FILE NO: 77000156  | ENG: JJ        | DRW BY: MK   |
| CONC. TJR  | SCALE 1:5  | DATE: 05/27/17 | SHEET 1 of 1 |
| SQUARENESS - PARALLELISM   |  |                |              |

4

3

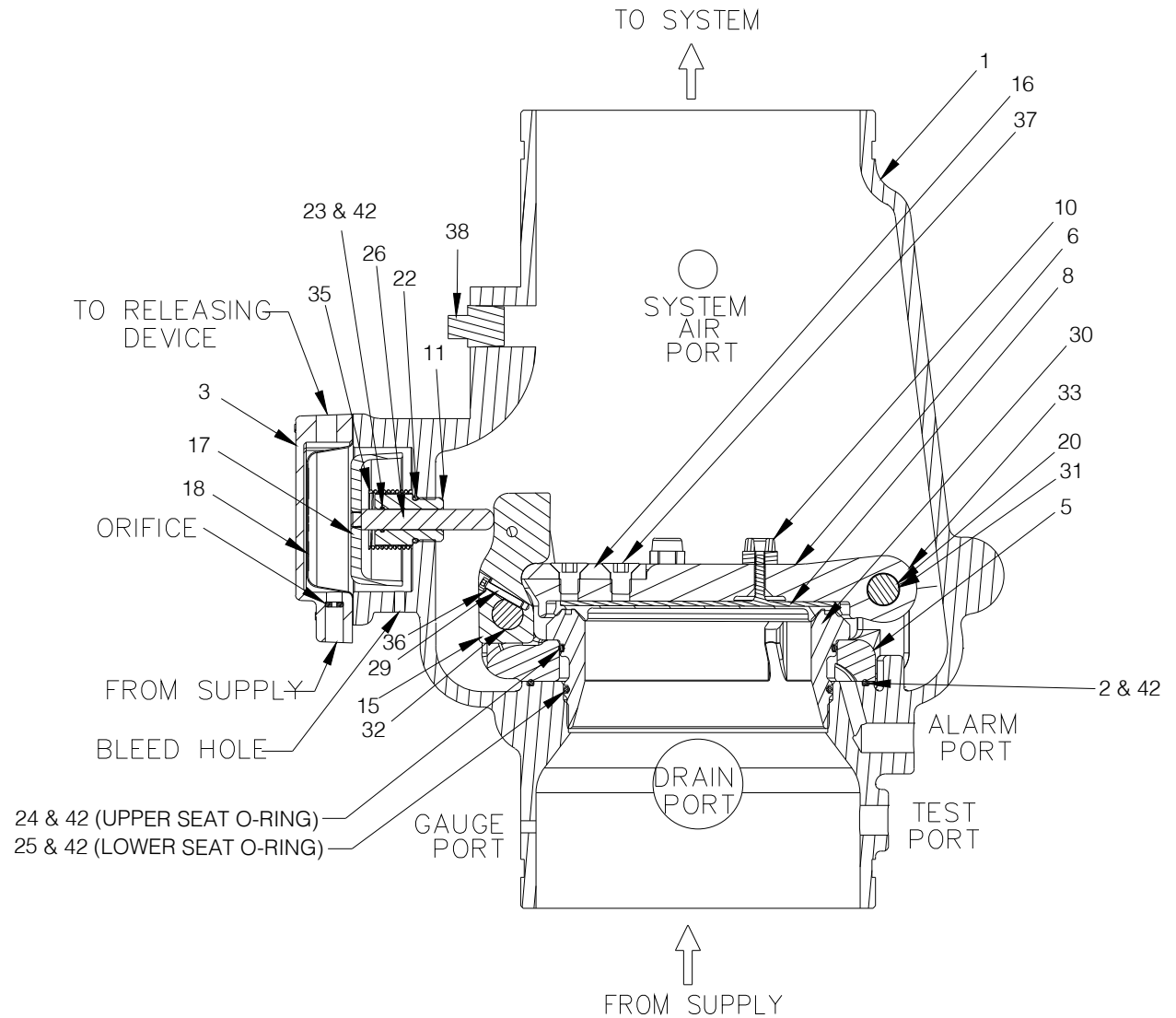
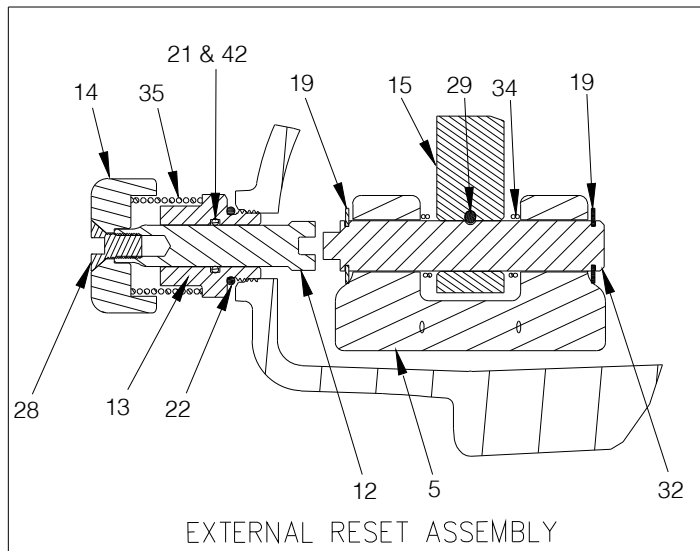
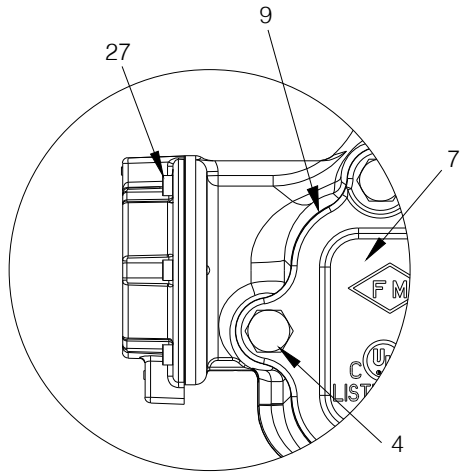
2

1



# MODEL DDX VALVE WITH STAINLESS STEEL SCREW-IN SEAT

**IMPORTANT NOTE:** Early generation 4" and 6" DDX valves may incorporate a brass drop-in seat. Prior to ordering replacement parts, confirm the presence of a stainless steel screw-in seat or brass drop-in seat. For replacement parts for valves with brass drop-in seat, please contact Reliable Sprinkler Company Technical Services ([techserv@reliablesprinkler.com](mailto:techserv@reliablesprinkler.com))



## Model DDX (Screw-In Seat Configuration) Deluge Valves Parts List

| Item No. | Part No.  |            |          |           |            |           |                      |  | Part Description           | QTY.                         | Material                              |
|----------|-----------|------------|----------|-----------|------------|-----------|----------------------|--|----------------------------|------------------------------|---------------------------------------|
|          | 2" (50mm) | 2½" (65mm) | 76mm     | 3" (80mm) | 4" (100mm) | 165mm     | 6" (150mm)           | 8" (200mm)   |                            |                              |                                       |
| 1        | 91006011  | 91006012   | 91006023 | 91006013  | 91006005   | 91006027  | 91006007             | 91006028   | Valve Body Groove/Groove   | 1                            | Ductile Iron 65-45-12                 |
|          | N/A       | N/A        | N/A      | N/A       | 91006045   | N/A       | 91006067             | N/A  | Valve Body Flange/Groove   |                              |                                       |
|          | N/A       | N/A        | N/A      | N/A       | 91006035   | N/A       | 91006037             | 91006039   | Valve Body Flange/Flange   |                              |                                       |
| 2        | N/A       | N/A        | N/A      | N/A       | N/A        | N/A       | N/A                  | 95406414   | O-ring (Mounting Ring)     | 1                            | Buna-N                                |
| 3        | 71040416  |            |          |           |            |           |                      |  | Pushrod Cover Assembly     | 1                            | Ductile Iron 65-45-12 & Brass C360000 |
| 4        | 91106123  |            |          | N/A       | N/A        | N/A       | Hex Bolt ½"-13 x 1¼" |  | 6                          | Zinc Plated Steel            |                                       |
|          | N/A       |            |          | 95606107  | N/A        | N/A       | Hex Bolt ½"-13 x 1½" |  | 6                          |                              |                                       |
|          | N/A       |            |          | N/A       | 91106006   | N/A       | Hex Bolt ¾"-11 x 1¾" |  | 6                          |                              |                                       |
|          | N/A       |            |          | N/A       | N/A        | 95606110  | Hex Bolt ¾"-11 x 2"  |  | 8                          |                              |                                       |
| 5        | 91306013  |            |          | 91306014  | 91306016   | 91306018  |                      | Mounting Ring                                      | 1                          | Stainless Steel CF8 or CF8M  |                                       |
| 6        | 91916003  |            |          | 91916014  | 91916016   | 91916008  |                      | Clapper  | 1                          | Stainless Steel CF8 or CF8M  |                                       |
| 7        | 92116063  |            |          | 92116064  | 92116065   | 92116066  | 92116068             | Access Cover                                       | 1                          | Ductile Iron 65-45-12        |                                       |
| 8        | 93416003  |            |          | 93416014  | 93416016   | 93416008  |                      | Seal Assembly                                      | 1                          | Stainless Steel 304 & EPDM   |                                       |
| 9        | 93706003  |            |          | 93706004  | 93706006   | 93706008  |                      | Access Cover Gasket                                | 1                          | Buna-N or Neoprene           |                                       |
| 10       | 93722000  |            |          | 93722000  | N/A        |           | N/A                  |  | Bumpstop Assembly          | 1                            | Stainless Steel UNS S31600 & EPDM     |
|          | N/A       |            |          | N/A       | 93722000   |           | N/A                  |  |                            | 2                            |                                       |
|          | N/A       |            |          | N/A       | N/A        |           | 93722000             |  |                            | 3                            |                                       |
| 11       | 93916006  |            |          | 93916006  |            | 93916006  |                      | Pushrod Guide                                      | 1                          | Acetal                       |                                       |
| 12       | 94106066  |            |          | 94106066  |            | 94106066  |                      | Reset Shaft  | 1                          | Brass UNS C36000             |                                       |
| 13       | 94356006  |            |          | 94356006  |            | 94356006  |                      | Reset Housing                                      | 1                          | Brass UNS C36000             |                                       |
| 14       | 94506003  |            |          | 94506004  | 94506016   | 94506008  |                      | Reset Knob   | 1                          | Aluminum 6061                |                                       |
| 15       | 95006414  |            |          | 94006412  | 95006410   | 95006410  |                      | Lever  | 1                          | Stainless Steel UNS S17400   |                                       |
| 16       | 95106006  |            |          | 95106006  |            | 95106006  |                      | Striker  | 1                          | Aluminum Bronze C95400       |                                       |
| 17       | 95276006  |            |          | 95276006  |            | 95276006  |                      | Piston   | 1                          | Stainless Steel CF8M         |                                       |
| 18       | 95306267  |            |          | N/A       | N/A        | N/A       |                      | Diaphragm  | 1                          | EPDM & Polyester             |                                       |
| 19       | N/A       |            |          | 95306267  | N/A        | N/A       |                      | Retaining Ring, ⅜" Shaft, Lever Pin                | 2                          | Stainless Steel 15-7 or 17-7 |                                       |
|          | N/A       |            |          | N/A       | 95306269   | N/A       |                      | Retaining Ring, ½" Shaft, Lever Pin                |                            |                              |                                       |
|          | N/A       |            |          | N/A       | N/A        | 95316408  |                      | Retaining Ring, ⅝" Shaft, Lever Pin                |                            |                              |                                       |
|          | N/A       |            |          | N/A       | N/A        | 95316408  |                      | Retaining Ring, ¾" Shaft, Lever Pin                |                            |                              |                                       |
| 20       | 95306268  |            |          | N/A       | N/A        | N/A       |                      | Retaining Ring, ⅜" Shaft, Hinge Pin                | 2                          | Stainless Steel 15-7 or 17-7 |                                       |
|          | N/A       |            |          | 95306267  | 95306267   | N/A       |                      | Retaining Ring, ½" Shaft, Hinge Pin                |                            |                              |                                       |
|          | N/A       |            |          | N/A       | N/A        | 95316408  |                      | Retaining Ring, ¾" Shaft, Hinge Pin                |                            |                              |                                       |
| 21       | 95406007  |            |          | 95406007  |            | 95406007  |                      | O-Ring, Reset Housing ID                           | 1                          | Buna-N                       |                                       |
| 22       | 95406024  |            |          | 95406024  |            | 95406024  |                      | O-Ring, Reset Housing & Pushrod Guide OD           | 2                          | Buna-N                       |                                       |
| 23       | 95406407  |            |          | 95406407  |            | 95406407  |                      | O-Ring, Pushrod Guide ID                           | 1                          | Buna-N                       |                                       |
| 24       | 95406410  |            |          | 95406409  | 95436126   | 95406413  |                      | O-Ring, Upper Seat                                 | 1                          | Buna-N                       |                                       |
| 25       | 95406411  |            |          | 95406420  | 95446226   | 95406412  |                      | O-Ring, Lower Seat                                 | 1                          | Buna-N                       |                                       |
| 26       | 95506006  |            |          | 95506006  |            | 95506006  |                      | Pushrod  | 1                          | Stainless Steel UNS S30300   |                                       |
| 27       | 95606114  |            |          | 95606114  |            | 95606114  |                      | Socket Head Screw, ¼"-20 x ⅝"                      | 6                          | Steel                        |                                       |
| 28       | 95606127  |            |          | 95606127  |            | 95606127  |                      | Flat Head Socket Cap Screw ⅜"-16 x ¾"              | 1                          | Steel                        |                                       |
| 29       | 95606133  |            |          | N/A       | N/A        | N/A       |                      | Socket Head Screw #6-32 x ½"                       | 1                          | Stainless Steel 18-8         |                                       |
|          | N/A       |            |          | 95606130  | 95606130   | 95606130  |                      | Socket Head Screw #10-32 x 1"                      |                            | Stainless Steel UNS S31600   |                                       |
| 30       | 96016003  |            |          | 96016014  | 96016016   | 96016008  |                      | Seat   | 1                          | Stainless Steel CF8M         |                                       |
| 31       | 96206003  |            |          | N/A       | N/A        | N/A       |                      | Hinge Pin  | 1                          | Stainless Steel UNS S30400   |                                       |
|          | N/A       |            |          | 96216086  | 9216086    | 96206008  |                      |  |                            | Stainless Steel UNS S21800   |                                       |
| 32       | 96216003  |            |          | N/A       | N/A        | N/A       |                      | Lever Pin  | 1                          | Stainless Steel UNS S17400   |                                       |
|          | N/A       |            |          | 96216044  | 96216047   | 96216008  |                      |  |                            | Stainless Steel UNS S21800   |                                       |
| 33       | 96310003  |            |          | 96906904  | 96906904   | 96310008  |                      | Clapper Spacer                                     | 2                          | Teflon or Acetal             |                                       |
| 34       | 96406003  |            |          | N/A       | N/A        | N/A       |                      | Lever Spring                                       | 1                          | Stainless Steel UNS S30400   |                                       |
|          | N/A       |            |          | 96406004  | 96406005   | 96406008  |                      |  |                            | Stainless Steel UNS S31600   |                                       |
| 35       | 96406906  |            |          | 96406906  |            | 96406906  |                      | Piston/ Reset Spring                               | 2                          | Stainless Steel UNS S31600   |                                       |
| 36       | 96906112  |            |          | N/A       | N/A        | N/A       |                      | Spring Lock Washer, #6                             | 1                          | Stainless Steel 18-8         |                                       |
|          | N/A       |            |          | 96906111  | 96906111   | 96906111  |                      | Spring Lock Washer, #10                            |                            | Stainless Steel UNS S31600   |                                       |
| 37       | 95606140  |            |          | N/A       | N/A        | N/A       |                      | Flat Head Socket Cap Screw ¼"-20 x ½"              | 2                          | Stainless Steel 18-8         |                                       |
|          | N/A       |            |          | 95606139  | N/A        | N/A       |                      |  |                            | Stainless Steel UNS S31600   |                                       |
|          | N/A       |            |          | N/A       | N/A        | 95606135  |                      | Flat Head Socket Cap Screw ½"-13 x ¾"              | Stainless Steel UNS S31600 |                              |                                       |
| 38       | 98604402  |            |          | 98604402  |            | 98604402  |                      | Plug, ½" NPT                                       | 1                          | Steel                        |                                       |
| 39       | 94616921  |            |          | 94616921  |            | 94616921  |                      | Knob Caution Label (Not Shown)                     | 1                          | Polystyrene                  |                                       |
| 40       | 91556922  |            |          | 91556922  |            | 91556922  |                      | Ball Chain, 1/8" (Not Shown) (Length is in Inches) | 6                          | Nickel Plated Brass          |                                       |
| 41       | 91556923  |            |          | 91556923  |            | 91556923  |                      | Clamping Link, Ball Chain (Not Shown)              | 1                          |                              |                                       |
| 42       | 699993406 |            |          | 699993406 |            | 699993406 |                      | O-Ring Grease, Dupont™ Krytox® GPL-205             | A/R                        | Krytox®                      |                                       |