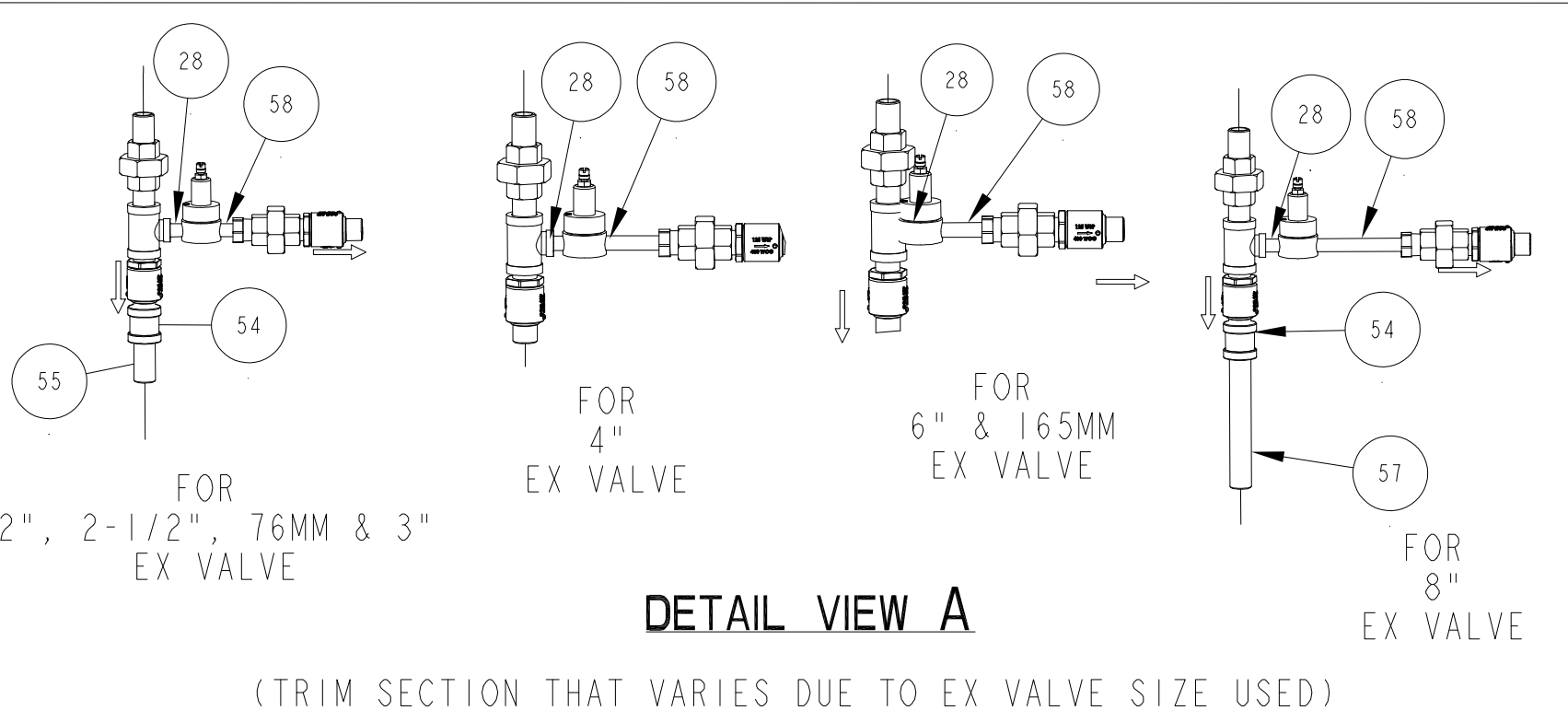
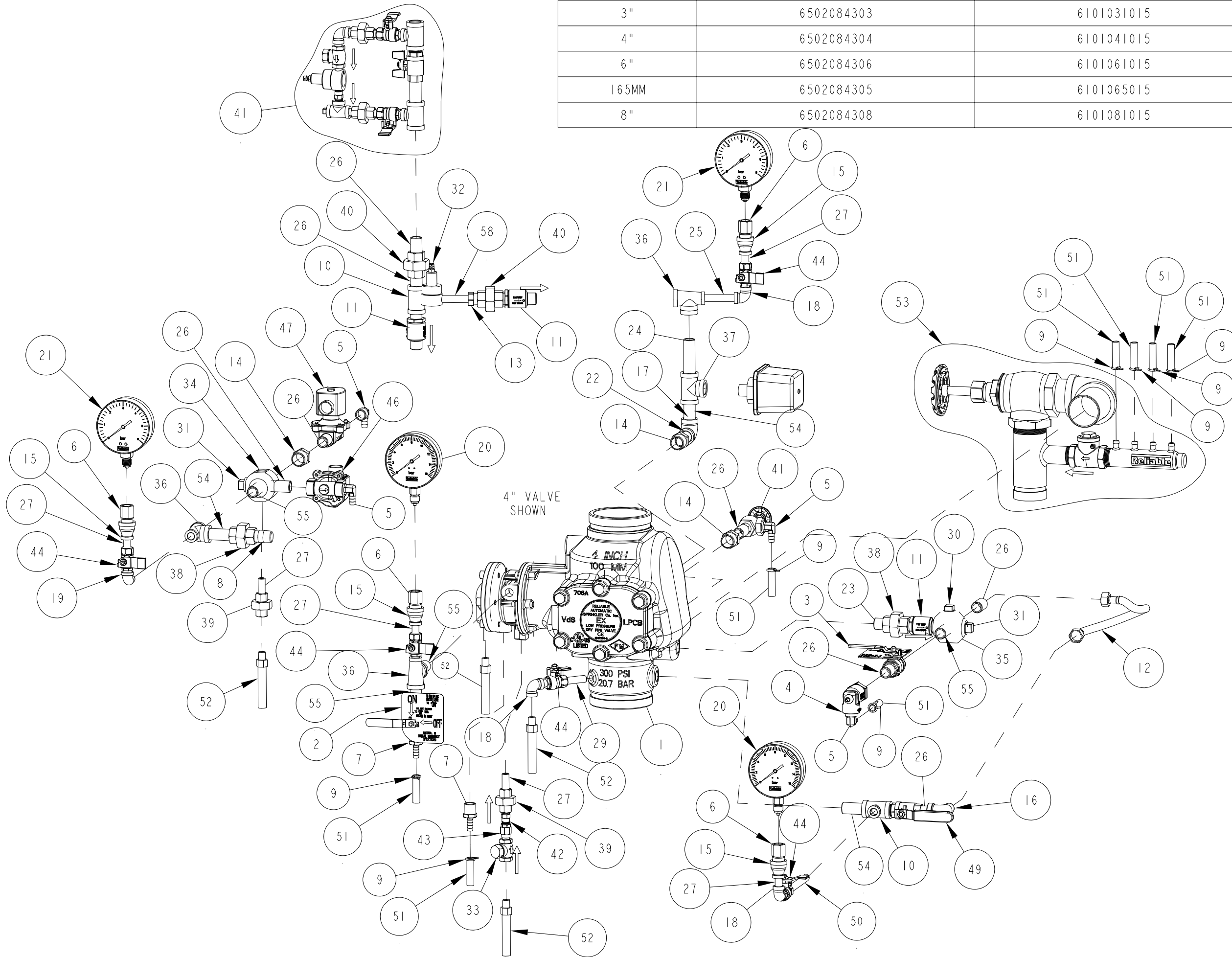


Reliable

TRIM PART NUMBER TABLE

SYSTEM SIZE	PART NUMBER (FULLY-ASSEMBLED TO MODEL EX VALVE ONLY)	MODEL EX VALVE P/N
2"	6502084302	6101021015
2-1/2"	6502084301	6101025015
76MM	6502084307	6101051015
3"	6502084303	6101031015
4"	6502084304	6101041015
6"	6502084306	6101061015
165MM	6502084305	6101065015
8"	6502084308	6101081015



NOTES:

△ P/N 98543209 FOR 2"-3" TRIMS QTY 8.
FOR ALL OTHER TRIM SIZES QTY 7.

**MODEL EX DRY PIP VALVE
LPCB SINGLE INTERLOCK PRE-ACTION TRIM**

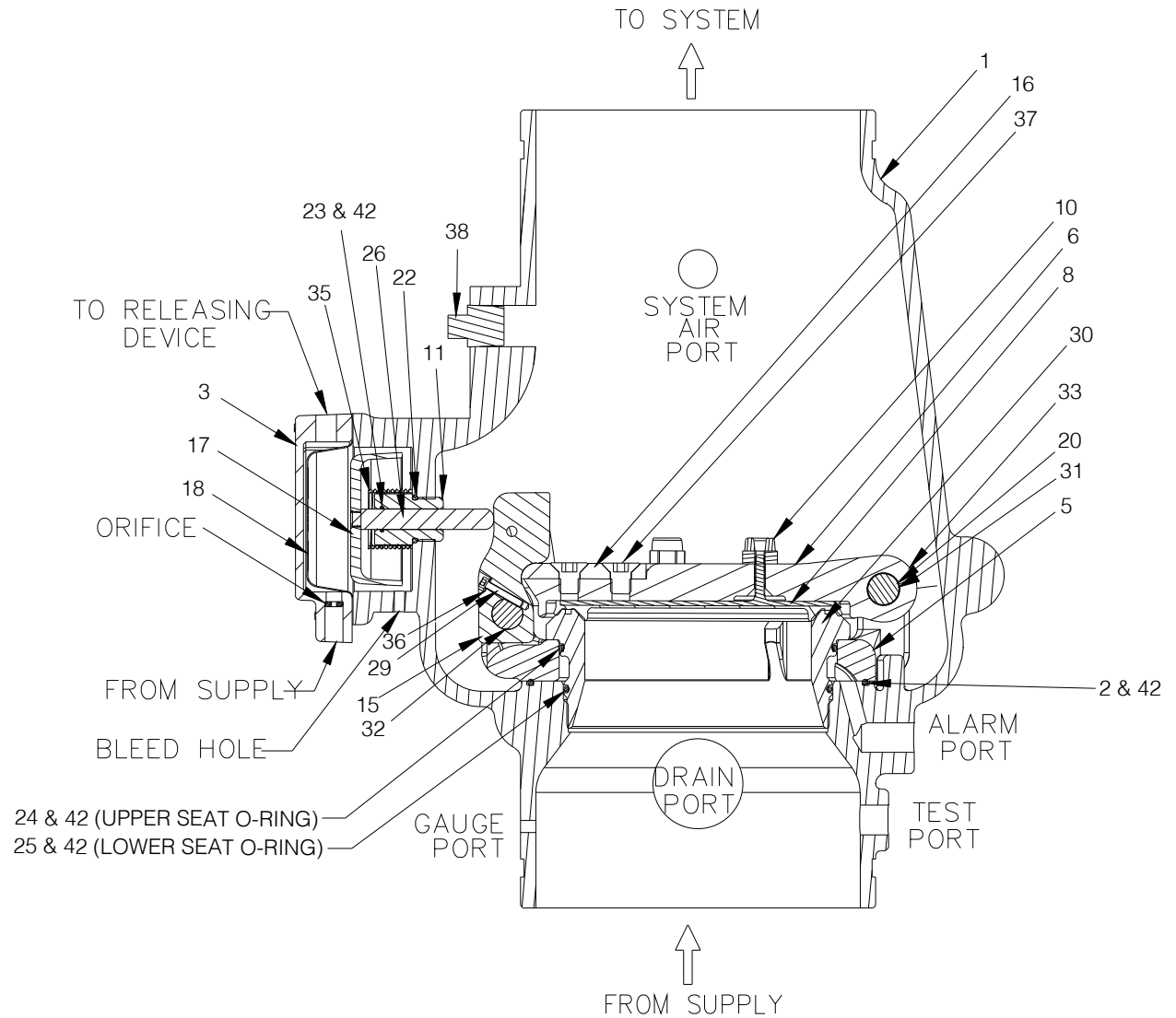
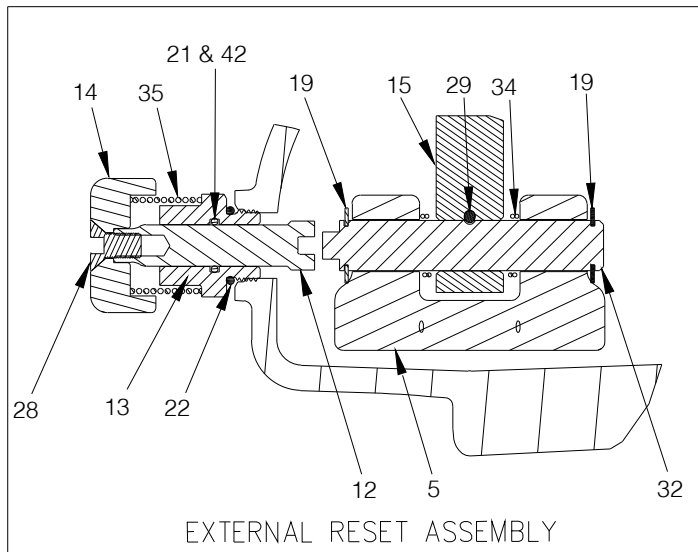
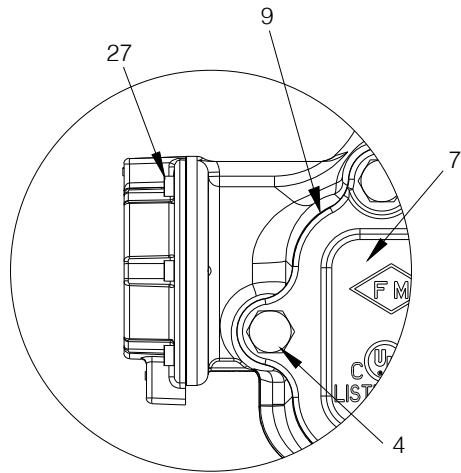
CA-324 P/N 89241294 REV. C

58	98543225	NIPPLE, 1/4" X 2", GALVANIZED STEEL	FOR 4" TRIMS	1
	98543227	NIPPLE, 1/4" X CLOSE, GALVANIZED STEEL	FOR 2"-3" TRIMS	
	98543243	NIPPLE, STEEL, GALV., 1/4" X 4"	FOR 8" TRIMS	
	98543218	NIPPLE, 1/4X3-1/2, GALVANIZED STEEL	FOR 6" TRIMS	
57	98543202	NIPPLE, STEEL, GALV., 1/2" X 5-1/2"	SEE DETAIL VIEW A	1
56	95516915	PERMA-LOK		A/R
55	98543209	NIPPLE, STEEL, GALV., 1/2" X 2"	SEE DETAIL VIEW A	△
54	98085655	COUPLING, 1/2", GALV.		
53	77031006	ASSEMBLY, TRIM, DRAIN	FOR 2"-3" VALVE	1
	77031007	ASSEMBLY, TRIM, DRAIN	FOR 4"-8" VALVE	1
52	96920944	HOSE, FLEXIBLE, S.S., 1/4" NPT X 18" LONG		2
51	96686756	TUBING, PVC, 3/8" I.D. X 6FT LONG	SEE DETAIL VIEW A	1
50	98543224	NIPPLE, STEEL, GALV., 1/4" X 4-1/2"	FOR 2"-4" TRIMS	1
	98543217	NIPPLE, STEEL, GALV., 1/4" X 6"	FOR 6"-8" TRIMS	
49	9884011A	VALVE, BALL, 1/2 NPTF X 1/2 NPTM		1
48	6990006382	SWITCH, PRESSURE (PS10-2)		1
47	6871020010	VALVE, SOLENOID, ASCO		1
46	6871020000	VALVE, SOLENOID, PARKER		1
45	6304001110	MODEL A PRESSURE MAINTENANCE DEVICE		1
44	98840237	VALVE, BALL, 1/4" NPTF x 1/4" NPTM		5
43	98840188	VALVE, CHECK, 1/4" NPTM x 1/4" NPTF		1
42	98840147	CHECK VALVE, 1/4, NPT, POPPET TYPE INLINE		1
41	98840103	VALVE, ANGLE, 1/2"		1
40	98815204	UNION, ORING SEAL, GALV., 1/2		2
39	98815201	UNION, 1/4, IRON, G.J., GALV.		2
38	98815200	UNION, 1/2, IRON, G.J., GALV.		2
37	98761651	TEE, 1/2X1/2X1/2, GALVANIZED		1
36	98761649	TEE, 1/2X1/4X1/2, GALVANIZED		3
35	98751005	FITTING, MULTIPORT, 3/4x1/2x1/2x1/2x1/2		1
34	98751002	FITTING, MULTIPORT, 3/4x1/2x3/4x1/2x1/2x1/4		1
33	98727607	STRAINER, 1/4"		1
32	98681630	REGULATOR, AIR LINE R44-283-RNKA		1
31	98614401	PIPE, PLUG, IRON, SQUARE HEAD, 3/4		2
30	98604406	PIPE, PLUG, IRON, SQUARE HEAD, 1/2		1
29	98543244	NIPPLE, 1/4X2, GALVANIZED STEEL		1
28	98543227	NIPPLE, 1/4XCLOSE, GALVANIZED STEEL		1
27	98543226	NIPPLE, 1/4X1-1/2, GALVANIZED STEEL		6
26	98543223	NIPPLE, 1/2X1-1/2, GALVANIZED STEEL		8
25	98543220	NIPPLE, 1/4X3, GALVANIZED STEEL		1
24	98543216	NIPPLE, 1/2X3-1/2, GALVANIZED STEEL		1
23	98543212	NIPPLE, 1/2XCLOSE, GALVANIZED STEEL		1
22	98543210	NIPPLE, 1/2X2-1/2, GALVANIZED STEEL		1
21	98240100	GAUGE, WATER PRESSURE (6 BAR), 3/8 BSPT		2
20	98240005	GAUGE, WATER PRESSURE (16 BAR), 3/8 BSPT		2
19	98174408	ELBOW, STREET, 1/4", GALV.		1
18	98174404	ELBOW, 1/4", MALL IRON, GALV.		3
17	98174401	ELBOW, 1/2", MALL IRON, GALV.		1
16	98174400	ELBOW, STREET, 1/2", GALV.		1
15	98085666	COUPLING, REDUCER, 1/2" x 1/4", GLVN.		4
14	98048022	BUSHING, REDUCER, 3/4X1/2, GALVANIZED		3
13	98048000	BUSHING, REDUCER, 1/2X1/4, GALVANIZED		1
12	96920912	FLEX LINE, 12		1
11	96816906	VALVE, CHECK, MALE 1/2, MALE 1/2		3
10	96606607	TEE, 1/2X1/2X1/4, GALVANIZED		2
9	95306255	CLAMP, HOSE, 1/2" CONSTANT TENSION, ZINC		8
8	92056817	SOLID CONNECTOR		1
7	92056810	CONNECTOR, 3/8" ID TUBE x 1/2" NPT		2
6	92056809	CONNECTOR, NO-LOSS, 3/8 x 1/2 BSPT		4
5	92056704	CONNECTOR, ELBOW, 3/8" ID TUBE x 1/2" NPT		4
4	78653800	ASSEMBLY, BALL DRIP, 1/2"		1
3	78653004	ASSEMBLY, VALVE CAUTION STATION, 1/2"		1
2	78653000	MODEL B MANUAL EMERGENCY STATION		1
1	-----	SEE TABLE ABOVE		1
ITEM NO.	PART NO.	DESCRIPTION	REMARKS	QTY.

BILL OF MATERIALS

MODEL DDX VALVE WITH STAINLESS STEEL SCREW-IN SEAT

IMPORTANT NOTE: Early generation 4" and 6" DDX valves may incorporate a brass drop-in seat. Prior to ordering replacement parts, confirm the presence of a stainless steel screw-in seat or brass drop-in seat. For replacement parts for valves with brass drop-in seat, please contact Reliable Sprinkler Company Technical Services (techserv@reliablesprinkler.com)



24 & 42 (UPPER SEAT O-RING)
25 & 42 (LOWER SEAT O-RING)

Model EX Dry Pipe Valve Parts List

Item No.	Part No.								Part Description	QTY.	Material
	2" (50mm)	2½" (65mm)	76mm	3" (80mm)	4" (100mm)	165mm	6" (150mm)	8" (200mm)			
1	91006011	91006012	91006023	91006013	91006005	91006027	91006007	91006028	Valve Body Groove/Groove	1	Ductile Iron 65-45-12
	N/A	N/A	N/A	N/A	91006045	N/A	91006067	N/A	Valve Body Flange/Groove		
	N/A	N/A	N/A	N/A	91006035	N/A	91006037	91006039	Valve Body Flange/Flange		
2	N/A	N/A	N/A	N/A	N/A	N/A	N/A	95406414	O-ring (Mounting Ring)	1	Buna-N
3	71040417								Middle Housing Assembly	1	Ductile Iron 65-45-12 & Brass C360000
4	91106123			N/A	N/A	N/A	N/A	N/A	Hex Bolt ½"-13 x 1¼"	6	Zinc Plated Steel
	N/A			95606107	N/A	N/A	N/A	N/A	Hex Bolt ½"-13 x 1½"	6	Zinc Plated Steel
	N/A			N/A	91106006	N/A	N/A	N/A	Hex Bolt ⅝"-11 x 1¾"	6	Zinc Plated Steel
	N/A			N/A	N/A	95606110	N/A	N/A	Hex Bolt ⅝"-11 x 2"	8	Zinc Plated Steel
5	91306013			91306014	91306016	91306018	91306018	91306018	Mounting Ring	1	Stainless Steel CF8 or CF8M
6	91916013			91916014	91916016	91916018	91916018	91916018	Clapper	1	Stainless Steel CF8 or CF8M
7	92116063			92116064	92116065	92116066	92116068	92116068	Access Cover	1	Ductile Iron 65-45-12
8	93416003			93416014	93416016	93416018	93416018	93416018	Seal Assembly	1	Stainless Steel 304 & EPDM
9	93706003			93706004	93706006	93706008	93706008	93706008	Access Cover Gasket	1	Buna-N or Neoprene
10	93722000			93722000	N/A	N/A	N/A	N/A	Bumpstop Assembly	1	Stainless Steel UNS S31600 & EPDM
	N/A			N/A	93722000	N/A	N/A	N/A		2	
	N/A			N/A	N/A	93722000	N/A	N/A		3	
11	93916006			93916006	N/A	N/A	N/A	N/A	Pushrod Guide	1	Acetal
12	93916066			93916066	N/A	N/A	N/A	N/A	Reset Shaft	1	Brass UNS C36000
13	94106066			94106066	N/A	N/A	N/A	N/A	Reset Housing	1	Brass UNS C36000
14	94356006			94356006	N/A	N/A	N/A	N/A	Reset Knob	1	Aluminum 6061
15	94506003			94506004	94506016	94506018	94506018	94506018	Lever	1	Stainless Steel UNS S17400
16	95006412			94006412	95006410	95006410	95006410	95006410	Striker	1	Aluminum Bronze C95400
17	95106006			95106006	N/A	N/A	N/A	N/A	Piston	1	Stainless Steel CF8M
18	95276006			95276006	N/A	N/A	N/A	N/A	Diaphragm	1	EPDM & Polyester
19	95306267			N/A	N/A	N/A	N/A	N/A	Retaining Ring, ⅜" Shaft, Lever Pin	2	Stainless Steel 15-7 or 17-7
	N/A			95306267	N/A	N/A	N/A	N/A	Retaining Ring, ½" Shaft, Lever Pin		
	N/A			N/A	95306269	N/A	N/A	N/A	Retaining Ring, ⅝" Shaft, Lever Pin		
	N/A			N/A	N/A	95316408	N/A	N/A	Retaining Ring, ¾" Shaft, Lever Pin		
20	95306267			N/A	N/A	N/A	N/A	N/A	Retaining Ring, ⅜" Shaft, Hinge Pin	2	Stainless Steel 15-7 or 17-7
	N/A			95306267	95306267	N/A	N/A	N/A	Retaining Ring, ½" Shaft, Hinge Pin		
	N/A			N/A	N/A	95316408	N/A	N/A	Retaining Ring, ¾" Shaft, Hinge Pin		
21	95406007			95406007	N/A	N/A	N/A	N/A	O-Ring, Reset Housing ID	1	Buna-N
22	95406024			95406024	N/A	N/A	N/A	N/A	O-Ring, Reset Housing & Pushrod Guide OD	2	Buna-N
23	95406407			95406407	N/A	N/A	N/A	N/A	O-Ring, Pushrod Guide ID	1	Buna-N
24	95406410			95406409	95436126	95406413	95406413	95406413	O-Ring, Upper Seat	1	Buna-N
25	95406411			95406420	95446226	95406412	95406412	95406412	O-Ring, Lower Seat	1	Buna-N
26	95506006			95506006	N/A	N/A	N/A	N/A	Pushrod	1	Stainless Steel UNS S30300
27	95606114			95606114	N/A	N/A	N/A	N/A	Socket Head Screw, ¼"-20 x ⅝"	6	Steel
28	95606127			95606127	N/A	N/A	N/A	N/A	Flat Head Socket Cap Screw ⅜"-16 x ¾"	1	Steel
29	95606133			N/A	N/A	N/A	N/A	N/A	Socket Head Screw #6-32 x 1½"	1	Stainless Steel 18-8
	N/A			95606130	95606130	95606130	95606130	95606130	Socket Head Screw #10-32 x 1"	1	Stainless Steel UNS S31600
30	96016003			96016014	96016016	96016018	96016018	96016018	Seat	1	Stainless Steel CF8M
31	96206003			N/A	N/A	N/A	N/A	N/A	Hinge Pin	1	Stainless Steel UNS S30400
	N/A			96216086	96216086	96206008	96206008	96206008			
32	96216003			N/A	N/A	N/A	N/A	N/A	Lever Pin	1	Stainless Steel UNS S17400
	N/A			96216044	96216047	96216008	96216008	96216008			
33	96310003			96906904	96906904	96310008	96310008	96310008	Clapper Spacer	2	Teflon or Acetal
34	96406003			N/A	N/A	N/A	N/A	N/A	Lever Spring	1	Stainless Steel UNS S30400
	N/A			96406004	96406005	96406008	96406008	96406008		1	Stainless Steel UNS S31600
35	96406906			96406906	N/A	N/A	N/A	N/A	Piston/Reset Spring	2	Stainless Steel UNS S31600
	96906112			N/A	N/A	N/A	N/A	N/A		Spring Lock Washer, #6	1
36	N/A			96906111	96906111	96906111	96906111	96906111	Spring Lock Washer, #10	1	Stainless Steel UNS S31600
	95606140			N/A	N/A	N/A	N/A	N/A	Flat Head Socket Cap Screw ¼"-20 x ½"	2	Stainless Steel 18-8
	N/A			95606139	N/A	N/A	N/A	N/A	Flat Head Socket Cap Screw ¼"-20 x 1½"	1	Stainless Steel UNS S31600
37	N/A			N/A	N/A	95606135	95606135	95606135	Flat Head Socket Cap Screw ½"-13 x ¾"	1	Stainless Steel UNS S31600
	N/A			N/A	N/A	N/A	N/A	N/A	Flat Head Socket Cap Screw ½"-13 x ¾"	1	Stainless Steel UNS S31600
38	96006908			96006908	N/A	N/A	N/A	N/A	Actuation Seat	1	Brass UNS C36000
39	95406901			95406901	N/A	N/A	N/A	N/A	O-Ring, Actuation Seat	1	Buna-N
40	96406902			96406902	N/A	N/A	N/A	N/A	Actuation Spring	1	Stainless Steel UNS S31600
41	95106911			95106911	N/A	N/A	N/A	N/A	Actuation Facing Plate	1	Brass UNS C36000 & EPDM
42	92206312			92206312	N/A	N/A	N/A	N/A	Actuation Diaphragm	1	EPDM
43	96906311			96906311	N/A	N/A	N/A	N/A	Actuation Washer	1	Stainless Steel UNS S31600
44	94906406			94906406	N/A	N/A	N/A	N/A	Actuation Locking Nut	1	Stainless Steel UNS S31600 & Nylon
45	94106953			94106953	N/A	N/A	N/A	N/A	Side Cover	1	Ductile Iron 65-45-12
46*	95606154			95606154	N/A	N/A	N/A	N/A	Screw, socket cap, 5/16"-18x1"	6	Steel
47	94616921			94616921	N/A	N/A	N/A	N/A	Knob Caution Label (Not Shown)	1	Polystyrene
48	91556922			91556922	N/A	N/A	N/A	N/A	Ball Chain, 1/8" (Not Shown) (Qty. is Length in Inches)	6	Nickel Plated Brass
49	91556923			91556923	N/A	N/A	N/A	N/A	Clamping Link, Ball Chain (Not Shown)	1	Nickel Plated Brass
50	699993406			699993406	N/A	N/A	N/A	N/A	O-Ring Grease, Dupontm Krytox® GPL-205 (Not Shown)	A/R	Krytox®
51	93916410			93916410	N/A	N/A	N/A	N/A	Guide, Side Cover	6	Alloy Steel

*Note: Items 41, 42, 43, and 44 sold only as an assembly; P/N 6501200052