

# Reliable

## EX VALVE TRIMS PART NUMBER CONFIGURATION

SELECTIONS IN **BOLD** ARE STANDARD OPTIONS

### EX VALVE SIZE AND ENDS CONNECTION TYPE

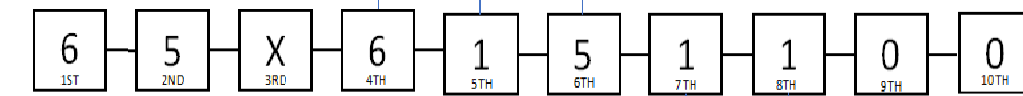
- 0 = NONE (NO VALVE, LOOSE OR SEGMENTED TRIM ONLY)<sup>1</sup>
- 1 = 2 1/2" GE X GE
- 2 = 2" GEX GE
- 3 = 3" GEX GE
- 4 = 4" GEX GE
- 5 = 76MM GE X GE (NO CONTROL VALVE AVAILABLE)
- 6 = 6" GEX GE
- 7 = 165MM GE X GE (NO CONTROL VALVE AVAILABLE)
- 8 = 8" GEX GE
- A = 4" FLANGE<sup>2,7</sup> INLET X GE OUTLET
- B = 4" FLANGE<sup>2,7</sup> INLET X FLANGE<sup>2,7</sup> OUTLET
- C = 4" PN16 FLANGE<sup>2,7</sup> INLET X GE OUTLET
- D = 4" PN16 FLANGE<sup>2,7</sup> INLET X PN16 FLANGE<sup>2,7</sup> OUTLET
- E = 6" FLANGE<sup>2,7</sup> INLET X GE OUTLET
- F = 6" FLANGE<sup>2,7</sup> INLET X FLANGE<sup>2,7</sup> OUTLET
- G = 6" PN16 FLANGE<sup>2,7</sup> INLET X GE OUTLET
- H = 6" PN16 FLANGE<sup>2,7</sup> INLET X PN16 FLANGE<sup>2,7</sup> OUTLET
- I = 165 MM FLANGE<sup>2,7</sup> INLET X GE OUTLET
- J = 165 MM PN16 FLANGE<sup>2,7</sup> INLET X GE OUTLET
- K = 8" FLANGE<sup>2,7</sup> INLET X FLANGE<sup>2,7</sup> OUTLET
- L = 8" PN16 FLANGE<sup>2,7</sup> INLET X PN16 FLANGE<sup>2,7</sup> OUTLET

### VALVE COLOR & TRIM SOURCING

- 0 = NO VALVE (LOOSE OR SEGMENTED TRIM ONLY)<sup>1</sup>
- 1 = BLACK PAINTED VALVE
- 2 = RED PAINTED VALVE
- 3 = RED PAINTED VALVE WITH U.S. SOURCED TRIM
- 4 = CCCF APPROVED VALVE<sup>4</sup>
- 5 = BLACK PAINTED VALVE WITH U.S. SOURCED TRIM

### ASSEMBLY CONFIGURATION, INSTALLED CONTROL VALVE & SPOOL PIECE

- 0 = LOOSE TRIM FOR 2"-3" VALVES<sup>1,6,8</sup>
- 1 = LOOSE TRIM FOR 4"-8" VALVES<sup>1,6,8</sup>
- 2 = SEGMENTALLY ASSEMBLED FOR 2"-3" VALVES<sup>1,6,8</sup>
- 3 = SEGMENTALLY ASSEMBLED FOR 4"-8" VALVES<sup>1,6,8</sup>
- 4 = FULLY ASSEMBLED TO EX VALVE W/O CONTROL VALVE
- 5 = FULLY ASSEMBLED TO EX VALVE WITH CONTROL VALVE, W/O SPOOLPIECE<sup>7</sup>
- 6 = FULLY ASSEMBLED TO EX VALVE WITH CONTROL VALVE & SPOOLPIECE<sup>5,7</sup>



### PRESSURE SWITCH<sup>6</sup>

- 0 = NONE
- 1 = POTTER FM, cULus APPROVED
- 2 = SYSTEM SENSOR FM/ULC APPROVED
- 3 = SYSTEM SENSOR FM/UL APPROVED

### B1 ACCELERATOR

- 0 = NONE
- 1 = WITH B1 ACCELERATOR

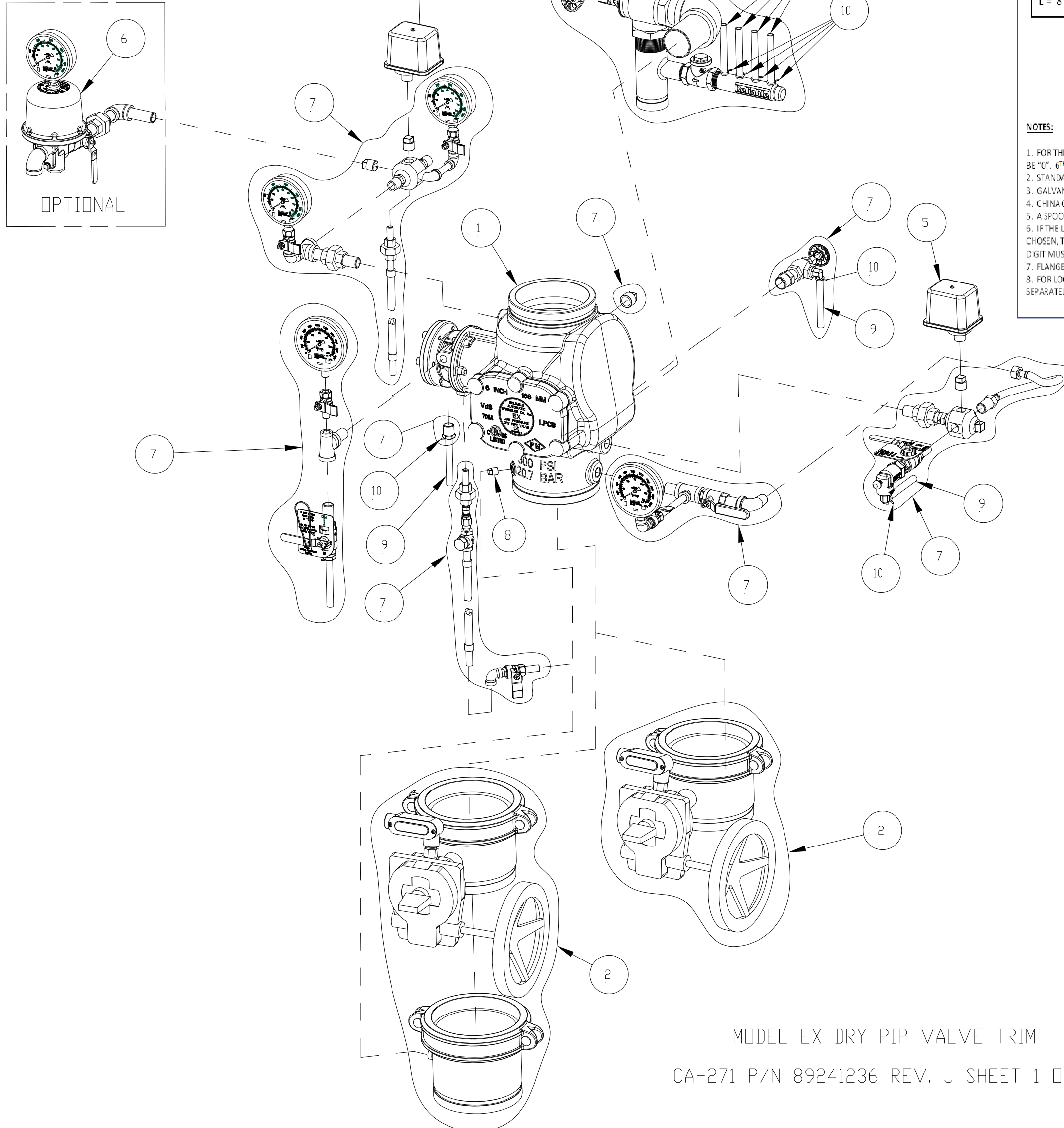
### NOTES:

1. FOR THE 4<sup>TH</sup> DIGIT, SELECT "0" FOR LOOSE OR SEGMENTED TRIMS. 5<sup>TH</sup> DIGIT MUST ALSO BE "0". 6<sup>TH</sup> DIGIT MUST BE "0" OR "1".
2. STANDARD FLANGE TYPE IS CLASS 150 PER ASME B16.5. PN16 FLANGE IS PER ISO 7005-2.
3. GALVANIZED PIPE FITTINGS ARE THE DEFAULT OFFERING.
4. CHINA COMPULSORY CERTIFICATE FOR FIRE PRODUCTS.
5. A SPOOL PIECE IS ONLY AVAILABLE WITH A CONTROL VALVE.
6. IF THE LOOSE OR SEGMENTALLY ASSEMBLED CONFIGURATION (6<sup>TH</sup> DIGIT = 0, 1, 2 OR 3) IS CHOSEN, THEN NO PRESSURE SWITCH IS INCLUDED WITH THE TRIM. THEREFORE THE 7<sup>TH</sup> DIGIT MUST BE "0".
7. FLANGED VALVES ARE NOT AVAILABLE WITH A CONTROL VALVE.
8. FOR LOOSE AND SEGMENTED ASSEMBLED TRIM CONFIGURATIONS, THE EX VALVE IS SOLD SEPARATELY (SEE BULLETIN 399 FOR EX VALVE'S PART NUMBER).

### PART NUMBER TABLE

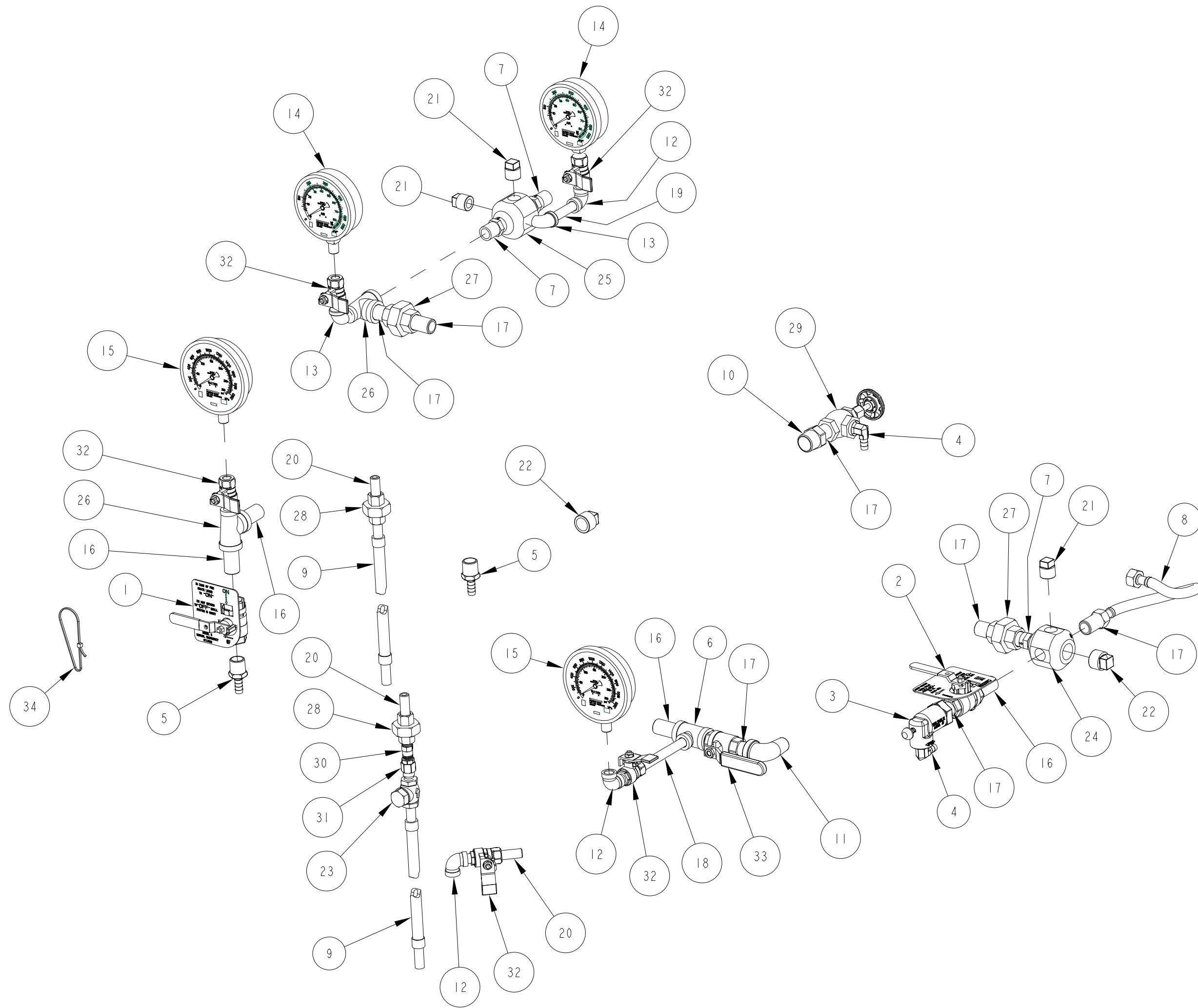
SIZE	VALVE ASSEMBLY BLACK (ITEM 1)	VALVE ASSEMBLY RED (ITEM 1)	CONTROL VALVE S/A (ITEM 2)	CONTROL VALVE W/ INLET SPOOL S/A (ITEM 2)	TRIM, DRAIN (ITEM 3)
2" (50MM) GR/GR	6101021010	6101021015	77000301	77000252	77031006
2-1/2" (65MM) GR/GR	6101025010	6101025015	77000302	77000251	
3" (80MM) GR/GR	6101031010	6101031015	77000303	77000253	
76MM GR/GR	N/A	6101051015	N/A	N/A	77031007
4" (100MM) GR/GR	6101041010	6101041015	77000304	77000254	
4" (100MM) FL/GR CLASS 150	6101041020	6101041025	N/A	N/A	
4" (100MM) FL/GR PN16	N/A	6101041045			
4" (100MM) FL/FL CLASS 150	6101041030	6101041035	N/A	N/A	
4" (100MM) FL/FL PN16	N/A	6101041055			
6" (168MM) GR/GR	6101061010	6101061015			
6" (168MM) FL/GR CLASS 150	6101061020	6101061025	N/A	N/A	
6" (168MM) FL/GR PN16	N/A	6101061045			
6" (168MM) FL/FL CLASS 150	6101061030	6101061035			
6" (168MM) FL/FL PN16	N/A	6101061055			
165MM GR/GR	N/A	6101065015	N/A	N/A	
165MM FL/GR CLASS 150		6101065025			
165MM FL/GR PN16		6101065045			
8" (200MM) GR/GR	6101081010	6101081015	77000308	77000258	N/A
8" (200MM) FL/FL CLASS 150	6101081030	6101081035	N/A	N/A	
8" (200MM) FL/FL PN16	N/A	6101081055			

ITEM NO.	PART NO.	DESCRIPTION	REMARKS	QTY.
11	89097903	THREAD SEALANT (NOT SHOWN)		A/R
10	95306255	HOSE CLAMP		8
9	96686756	HOSE, PVC, CLEAR, 1/2" O.D. X 6 FT		1
8	98614403	PLUG, IRON, SQ. HD., 1/4"	W/ SPOOL ONLY	1
7	77031005	SUBASSEMBLY, BASE TRIM		1
6	6516000013	KIT, ACCELERATOR TRIM (OPTIONAL)		1
5	6990006382	SWITCH, PRESSURE, POTTER, PS10-2, ALARM		1
	6999992360	SWITCH, PRESSURE, SYSTEM SENSOR, EPSA10-2, ALARM		
	6999991212	SWITCH, PRESSURE, SYSTEM SENSOR, EPS10-2, ALARM		
4	6990019313	SWITCH, PRESSURE, POTTER, PS25-2, SYSTEM		1
	6999992361	SWITCH, PRESSURE, SYSTEM SENSOR, EPSA40-2, SYSTEM		
	6999991340	SWITCH, PRESSURE, SYSTEM SENSOR, EPS40-2, SYSTEM		
3	SEE PART NUMBER TABLE	TRIM, SUBASSEMBLY, DRAIN		1
2		SUBASSEMBLY, CONTROL VALVE		1
1		ASSEMBLY, VALVE, EX		1
BILL OF MATERIALS				



MODEL EX DRY PIP VALVE TRIM  
CA-271 P/N 89241236 REV. J SHEET 1 OF 2

# Reliable



MODEL EX DRY PIP VALVE TRIM

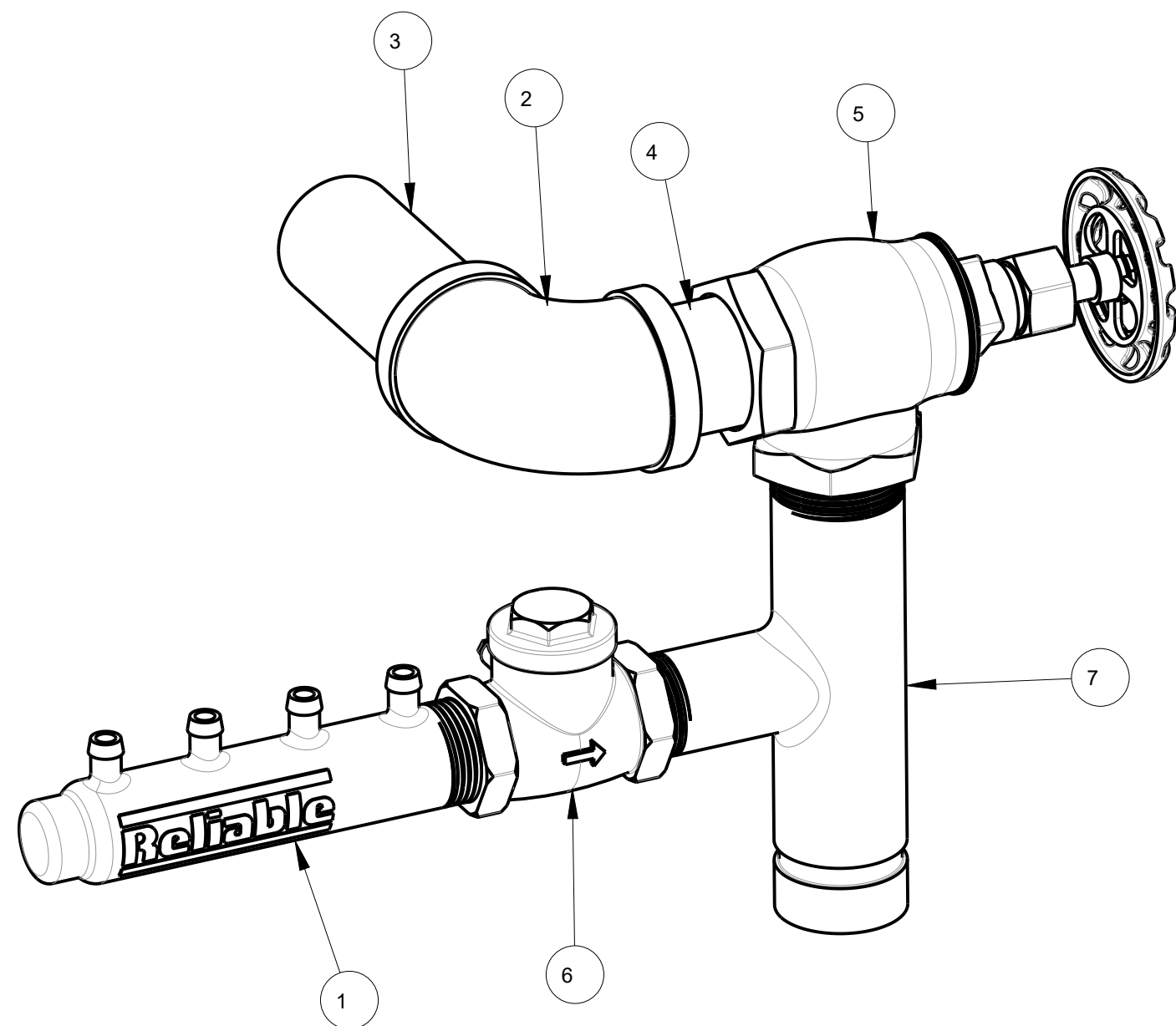
CA-271 P/N 89241236 REV. J SHEET 2 OF 2

34	89141112	TIE, RETAINING		9
33	9884011A	VALVE, BALL, 1/2" NPTF X 1/2" NPTM		1
32	98840237	VALVE, BALL, 1/4" NPTF x 1/4" NPTM		5
31	98840188	VALVE, CHECK, 1/4" NPTM x 1/4" NPTF		1
30	98840147	CHECK VALVE, 1/4" NPT, POPPET TYPE INLINE		1
29	98840103	VALVE, ANGLE, 1/2"		1
28	98815201	UNION, 1/4", IRON, G. J., GALV.		2
27	98815200	UNION, 1/2", IRON, G. J., GALV.		2
26	98761649	TEE, GLVN., 1/2 X 1/4 X 1/2		2
25	98751008	FITTING, MULTIPORT, 1/2x1/2x1/2x1/2x1/4x1/4		1
24	98751005	FITTING, MULTIPORT, 3/4x1/2x1/2x1/2x1/2		1
23	98727607	STRAINER, 1/4"		1
22	98614401	PLUG, IRON, SQ. HD., 3/4"		2
21	98604406	PLUG, IRON, SQ. HD., 1/2"		3
20	98543226	NIPPLE, STEEL, GALV., 1/4" X 1-1/2"		3
19	98543225	NIPPLE, STEEL, GALV., 1/4" X 2-1/2"		1
18	98543224	NIPPLE, STEEL, GALV., 1/4" X 4-1/2"		1
17	98543223	NIPPLE, STEEL, GALV., 1/2" X 1-1/2"		7
16	98543209	NIPPLE, STEEL, GALV., 1/2" X 2"		4
15	98248001	GAUGE, WATER PRESSURE (0-300 PSI)		2
14	98248000	GAUGE, AIR PRESSURE (0-80 PSI)		2
13	98174408	ELBOW, STREET, 1/4", GALV.		2
12	98174404	ELL, 1/4", MALL IRON, GALV.		3
11	98174400	ELBOW, STREET, 1/2", GALV.		1
10	98048022	BUSHING, REDUCER, 3/4" X 1/2", GALV.		1
9	96920944	HOSE, FLEXIBLE, S.S., 1/4" NPT X 18" LONG		2
8	96920912	FLEX LINE, 12"		1
7	96816904	VALVE, CHECK, 1/2"		3
6	96606607	TEE, GLVN., 1/2 X 1/2 X 1/4		1
5	92056810	CONNECTOR, 3/8" ID TUBE x 1/2" NPT		2
4	92056704	CONNECTOR, ELBOW, 3/8" ID TUBE x 1/2" NPT		2
3	78653800	ASSEMBLY, BALL DRIP, 1/2"		1
2	78653004	ASSEMBLY, VALVE CAUTION STATION, 1/2"		1
1	78653000	ASSEMBLY, MANUAL EMERGENCY STATION		1

ITEM NO.	PART NO.	DESCRIPTION	REMARKS	QTY.
----------	----------	-------------	---------	------

BILL OF MATERIALS

REVISIONS			
LTR	DESCRIPTION	DATE	DRAWN BY
~	RELEASED FOR PROD, ERN #13941	03/27/18	JB
A	ECN #18183	09/28/18	AW



NOTES:

1. FOR SEGMENTALLY ASSEMBLED, SEE TOP ASSEMBLY.

2. ALTERNATE PIPE THREAD SEALANT P/N 95516911.

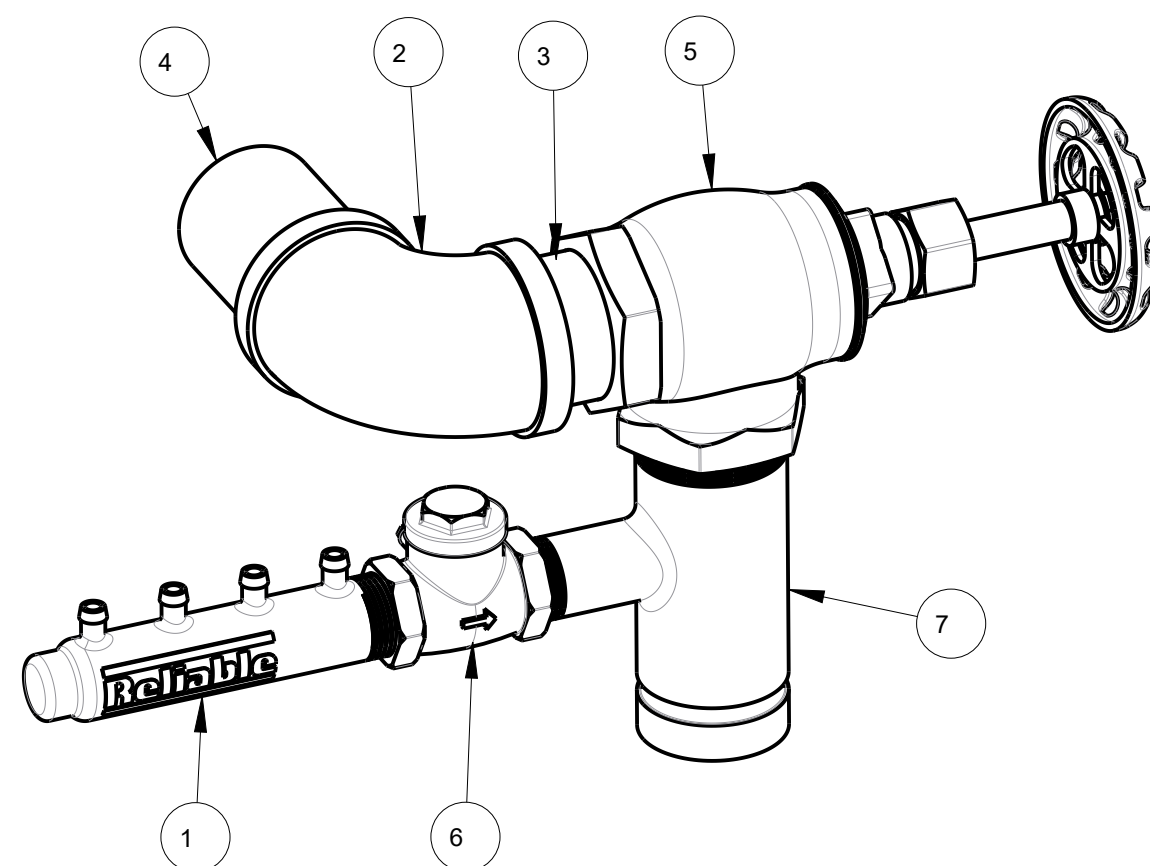
THIS DRAWING CONTAINS INFORMATION PROPRIETARY TO THE RELIABLE AUTOMATIC SPRINKLER CORP. IT MAY NOT BE REPRODUCED NOR MAY ANY INFORMATION HEREON BE DISCLOSED TO OTHERS WITHOUT THE SPECIFIC WRITTEN PERMISSION OF RELIABLE.

ITEM NO.	PART NO.	DESCRIPTION	REMARKS	QTY.
2	89097903	SEALANT, THREAD	NOT SHOWN	A/R
7	9101423C	MANIFOLD, 1-1/4 X 1-1/4 X 1, GRV/THD/THD		1
6	98840145	SWING CHECK VALVE, 1" NPT		1
5	98840106	VALVE, ANGLE, 1 1/4"		1
4	98543285	NIPPLE, STEEL, GALV., 1-1/4" X CLOSE		1
3	98543250	NIPPLE, STEEL, GALV., 1-1/4" X 4"		1
2	98174414	ELL, 1-1/4", MALL IRON, GALV.		1
1	91004294	MANIFOLD, DRAIN, BARBED		1

BILL OF MATERIALS

MTL. N/A	THE RELIABLE AUTOMATIC SPRINKLER CO., INC. LIBERTY, S.C.		
FINISH:	PART NO: 77031006	DWG.SIZE: C	
DO NOT SCALE DRAWING REMOVE BURRS, BREAK SHARP EDGES TOLERANCE UNLESS OTHERWISE SPECIFIED: ANGLE ± 1/2 63 FRACT. ± 1/32 [0.79] MACH. FINISH ✓ DEC. XX ± .010 [0.25] CONC. T.I.R. DEC. XXX ± .005 [0.13] SQUARENESS - PARALLELISM	PART: ASSEMBLY, TRIM, DRAIN		
	PRODUCT: MODEL EX DRY PIPE VALVE, 2"-3"		
FILE NO: 77031006	ENG: JJ	DRW BY: JB	C'K'D:
	SCALE: 1:2	DATE: 01/31/18	SHEET 1of1

REVISIONS			
LTR	DESCRIPTION	DATE	DRAWN BY
~	RELEASED FOR PROD, ERN #13941	03/27/18	JB
A	ECN #18183	09/28/18	AW



- NOTES:
- 1. FOR SEGMENTALLY ASSEMBLED, SEE TOP ASSEMBLY.
  - 2. ALTERNATE PIPE THREAD SEALANT P/N 95516911.

ITEM NO.	PART NO.	DESCRIPTION	REMARKS	QTY.
8	89097903	SEALANT, THREAD	NOT SHOWN	A/R
7	9101423B	MANIFOLD, 2 X 2 X 1, GRV/THD/THD		1
6	98840145	SWING CHECK VALVE, 1" NPT		1
5	98840100	VALVE, ANGLE, 2"		1
4	98543262	NIPPLE, STEEL, GALV., 2" X 3-1/2"		1
3	98543238	NIPPLE, STEEL, GALV., 2" X CLOSE		1
2	98174405	ELL, 2", MALL IRON, GALV.		1
1	91004294	MANIFOLD, DRAIN, BARBED		1

**BILL OF MATERIALS**

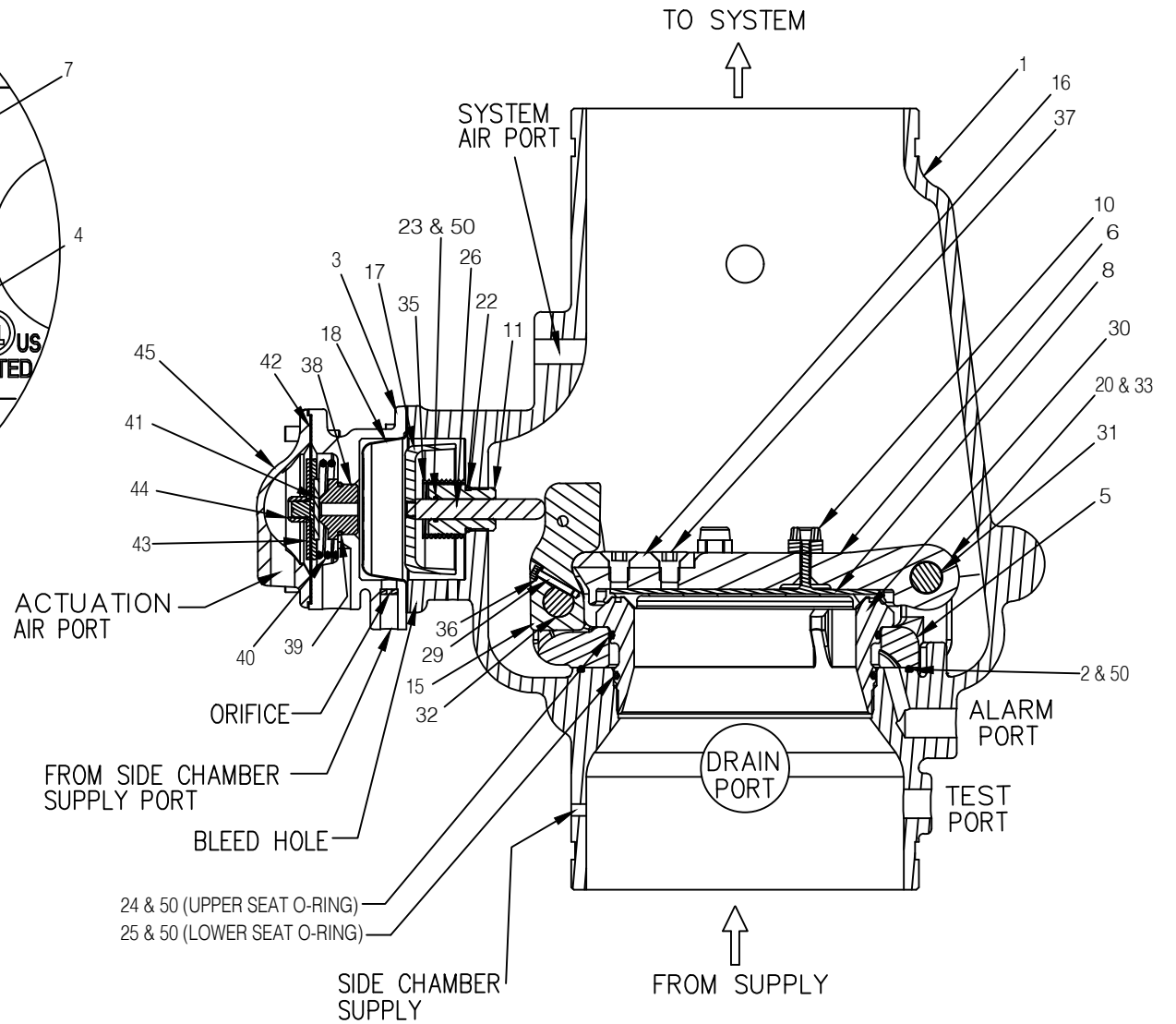
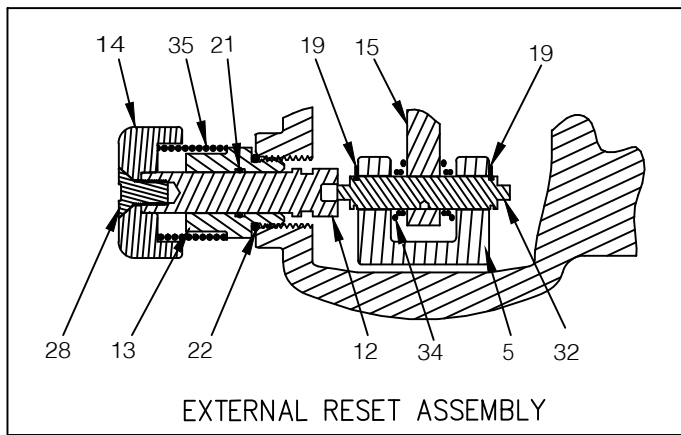
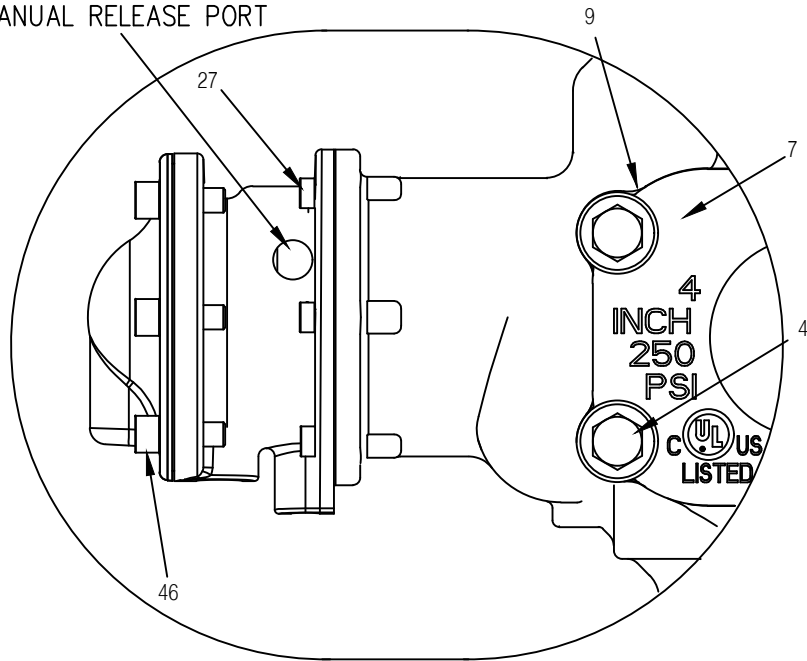
MTL. N/A	THE RELIABLE AUTOMATIC SPRINKLER CO., INC. LIBERTY, S.C.		
FINISH:	PART NO: 77031007	DWG.SIZE: C	
DO NOT SCALE DRAWING REMOVE BURRS, BREAK SHARP EDGES TOLERANCE UNLESS OTHERWISE SPECIFIED: ANGLE ± 1/2 63 FRACT. ± 1/32 [0.79] MACH. FINISH ✓ DEC. XX ± .010 [0.25] CONC. T.I.R. DEC. XXX ± .005 [0.13] SQUARENESS - PARALLELISM	PART: TRIM, SUBASSEMBLY, DRAIN		
PRODUCT: MODEL EX DRY PIPE VALVE 4", 6", 165 MM & 8"			
FILE NO: 77031007	ENG: JJ	DRW BY: JB	C'K'D:
SCALE: 1:3	DATE: 01/31/18	SHEET 1of1	

THIS DRAWING CONTAINS INFORMATION PROPRIETARY TO THE RELIABLE AUTOMATIC SPRINKLER CORP. IT MAY NOT BE REPRODUCED NOR MAY ANY INFORMATION HEREON BE DISCLOSED TO OTHERS WITHOUT THE SPECIFIC WRITTEN PERMISSION OF RELIABLE.



# MODEL EX DRY PIPE VALVE

MANUAL RELEASE PORT



## Model EX Dry Pipe Valve Parts List

Item No.	Part No.								Part Description	QTY.	Material
	2" (50mm)	2½" (65mm)	76mm	3" (80mm)	4" (100mm)	165mm	6" (150mm)	8" (200mm)			
1	91006011	91006012	91006023	91006013	91006005	91006027	91006007	91006028	Valve Body Groove/Groove	1	Ductile Iron 65-45-12
	N/A	N/A	N/A	N/A	91006045	N/A	91006067	N/A	Valve Body Flange/Groove		
	N/A	N/A	N/A	N/A	91006035	N/A	91006037	91006039	Valve Body Flange/Flange		
2	N/A	N/A	N/A	N/A	N/A	N/A	N/A	95406414	O-ring (Mounting Ring)	1	Buna-N
3	71040417								Middle Housing Assembly	1	Ductile Iron 65-45-12 & Brass C360000
4	91106123			N/A	N/A	N/A	N/A	N/A	Hex Bolt ½"-13 x 1¼"	6	Zinc Plated Steel
	N/A			95606107	N/A	N/A	N/A	N/A	Hex Bolt ½"-13 x 1½"	6	Zinc Plated Steel
	N/A			N/A	91106006	N/A	N/A	N/A	Hex Bolt ⅝"-11 x 1¾"	6	Zinc Plated Steel
	N/A			N/A	N/A	95606110	N/A	N/A	Hex Bolt ⅝"-11 x 2"	8	Zinc Plated Steel
5	91306013			91306014	91306016	91306016	91306018	91306018	Mounting Ring	1	Stainless Steel CF8 or CF8M
6	91916013			91916014	91916016	91916016	91916008	91916008	Clapper	1	Stainless Steel CF8 or CF8M
7	92116063			92116064	92116065	92116066	92116068	92116068	Access Cover	1	Ductile Iron 65-45-12
8	93416003			93416014	93416016	93416016	93416008	93416008	Seal Assembly	1	Stainless Steel 304 & EPDM
9	93706003			93706004	93706006	93706006	93706008	93706008	Access Cover Gasket	1	Buna-N or Neoprene
10	93722000			93722000	N/A	N/A	N/A	N/A	Bumpstop Assembly	1	Stainless Steel UNS S31600 & EPDM
	N/A			N/A	93722000	N/A	N/A	N/A		2	
	N/A			N/A	N/A	93722000	N/A	N/A		3	
11	93916006			93916006	N/A	N/A	N/A	N/A	Pushrod Guide	1	Acetal
12	93916066			93916066	N/A	N/A	N/A	N/A	Reset Shaft	1	Brass UNS C36000
13	94106066			94106066	N/A	N/A	N/A	N/A	Reset Housing	1	Brass UNS C36000
14	94356006			94356006	N/A	N/A	N/A	N/A	Reset Knob	1	Aluminum 6061
15	94506003			94506004	94506016	94506008	94506008	94506008	Lever	1	Stainless Steel UNS S17400
16	95006414			94006412	95006410	95006410	95006410	95006410	Striker	1	Aluminum Bronze C95400
17	95106006			95106006	N/A	N/A	N/A	N/A	Piston	1	Stainless Steel CF8M
18	95276006			95276006	N/A	N/A	N/A	N/A	Diaphragm	1	EPDM & Polyester
19	95306267			N/A	N/A	N/A	N/A	N/A	Retaining Ring, ⅜" Shaft, Lever Pin	2	Stainless Steel 15-7 or 17-7
	N/A			95306267	N/A	N/A	N/A	N/A	Retaining Ring, ½" Shaft, Lever Pin		
	N/A			N/A	95306269	N/A	N/A	N/A	Retaining Ring, ⅝" Shaft, Lever Pin		
	N/A			N/A	N/A	95316408	N/A	N/A	Retaining Ring, ¾" Shaft, Lever Pin		
20	95306267			N/A	N/A	N/A	N/A	N/A	Retaining Ring, ⅜" Shaft, Hinge Pin	2	Stainless Steel 15-7 or 17-7
	N/A			95306267	95306267	N/A	N/A	N/A	Retaining Ring, ½" Shaft, Hinge Pin		
	N/A			N/A	N/A	95316408	N/A	N/A	Retaining Ring, ¾" Shaft, Hinge Pin		
21	95406007			95406007	N/A	N/A	N/A	N/A	O-Ring, Reset Housing ID	1	Buna-N
22	95406024			95406024	N/A	N/A	N/A	N/A	O-Ring, Reset Housing & Pushrod Guide OD	2	Buna-N
23	95406407			95406407	N/A	N/A	N/A	N/A	O-Ring, Pushrod Guide ID	1	Buna-N
24	95406410			95406409	95436126	95406413	95406413	95406413	O-Ring, Upper Seat	1	Buna-N
25	95406411			95406420	95446226	95406412	95406412	95406412	O-Ring, Lower Seat	1	Buna-N
26	95506006			95506006	N/A	N/A	N/A	N/A	Pushrod	1	Stainless Steel UNS S30300
27	95606114			95606114	N/A	N/A	N/A	N/A	Socket Head Screw, ¼"-20 x ⅝"	6	Steel
28	95606127			95606127	N/A	N/A	N/A	N/A	Flat Head Socket Cap Screw ⅜"-16 x ¾"	1	Steel
29	95606133			N/A	N/A	N/A	N/A	N/A	Socket Head Screw #6-32 x 1½"	1	Stainless Steel 18-8
	N/A			95606130	95606130	95606130	95606130	95606130	Socket Head Screw #10-32 x 1"	1	Stainless Steel UNS S31600
30	96016003			96016014	96016016	96016008	96016008	96016008	Seat	1	Stainless Steel CF8M
31	96206003			N/A	N/A	N/A	N/A	N/A	Hinge Pin	1	Stainless Steel UNS S30400
	N/A			96216086	96216086	96206008	96206008	96206008			
32	96216003			N/A	N/A	N/A	N/A	N/A	Lever Pin	1	Stainless Steel UNS S17400
	N/A			96216044	96216047	96216008	96216008	96216008			
33	96310003			96906904	96906904	96310008	96310008	96310008	Clapper Spacer	2	Teflon or Acetal
34	96406003			N/A	N/A	N/A	N/A	N/A	Lever Spring	1	Stainless Steel UNS S30400
	N/A			96406004	96406005	96406008	96406008	96406008		1	Stainless Steel UNS S31600
35	96406906			96406906	N/A	N/A	N/A	N/A	Piston/Reset Spring	2	Stainless Steel UNS S31600
36	96906112			N/A	N/A	N/A	N/A	N/A	Spring Lock Washer, #6	1	Stainless Steel 18-8
	N/A			96906111	96906111	96906111	96906111	96906111	Spring Lock Washer, #10	1	Stainless Steel UNS S31600
37	95606140			N/A	N/A	N/A	N/A	N/A	Flat Head Socket Cap Screw ¼"-20 x ½"	2	Stainless Steel 18-8
	N/A			95606139	N/A	N/A	N/A	N/A	Flat Head Socket Cap Screw ¼"-20 x 1½"	1	Stainless Steel UNS S31600
	N/A			N/A	N/A	95606135	N/A	N/A	Flat Head Socket Cap Screw ½"-13 x ¾"	1	Stainless Steel UNS S31600
38	96006908			96006908	N/A	N/A	N/A	N/A	Actuation Seat	1	Brass UNS C36000
39	95406901			95406901	N/A	N/A	N/A	N/A	O-Ring, Actuation Seat	1	Buna-N
40	96406902			96406902	N/A	N/A	N/A	N/A	Actuation Spring	1	Stainless Steel UNS S31600
41	95106911			95106911	N/A	N/A	N/A	N/A	Actuation Facing Plate	1	Brass UNS C36000 & EPDM
42	92206312			92206312	N/A	N/A	N/A	N/A	Actuation Diaphragm	1	EPDM
43	96906311			96906311	N/A	N/A	N/A	N/A	Actuation Washer	1	Stainless Steel UNS S31600
44	94906406			94906406	N/A	N/A	N/A	N/A	Actuation Locking Nut	1	Stainless Steel UNS S31600 & Nylon
45	94106953			94106953	N/A	N/A	N/A	N/A	Side Cover	1	Ductile Iron 65-45-12
46*	95606154			95606154	N/A	N/A	N/A	N/A	Screw, socket cap, 5/16"-18x1"	6	Steel
47	94616921			94616921	N/A	N/A	N/A	N/A	Knob Caution Label (Not Shown)	1	Polystyrene
48	91556922			91556922	N/A	N/A	N/A	N/A	Ball Chain, 1/8" (Not Shown) (Qty. is Length in Inches)	6	Nickel Plated Brass
49	91556923			91556923	N/A	N/A	N/A	N/A	Clamping Link, Ball Chain (Not Shown)	1	Nickel Plated Brass
50	699993406			699993406	N/A	N/A	N/A	N/A	O-Ring Grease, Dupontm Krytox® GPL-205 (Not Shown)	A/R	Krytox®
51	93916410			93916410	N/A	N/A	N/A	N/A	Guide, Side Cover	6	Alloy Steel

\*Note: Items 41, 42, 43, and 44 sold only as an assembly; P/N 6501200052