

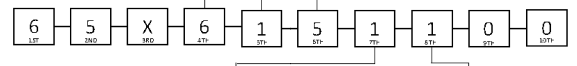
EX VALVE TRIMS PART NUMBER CONFIGURATION

SELECTIONS IN **BOLD>** ARE STANDARD OPTIONS

- EX VALVE TRIMS PART NUMBER CONFIGURATION**
- 0 = NONE (NO VALVE, LOOSE OR SEGMENTALLY ASSEMBLED TRIM ONLY)
 - 1 = 2" GE X GE
 - 2 = 2" GE X GE
 - 3 = 3" GE X GE
 - 4 = 4" GE X GE
 - 5 = 76MM GE X GE (NO CONTROL VALVE AVAILABLE)
 - 6 = 6" GE X GE
 - 7 = 165MM GE X GE (NO CONTROL VALVE AVAILABLE)
 - 8 = 8" GE X GE
 - A = 4" FLANGE¹ INLET X GE OUTLET
 - B = 4" FLANGE¹ INLET X FLANGE² OUTLET
 - C = 4" FN16 FLANGE² INLET X GE OUTLET
 - D = 4" FN16 FLANGE² INLET X FN16 FLANGE² OUTLET
 - E = 6" FLANGE² INLET X GE OUTLET
 - F = 6" FLANGE² INLET X FLANGE² OUTLET
 - G = 6" FN16 FLANGE² INLET X GE OUTLET
 - H = 6" FN16 FLANGE² INLET X FN16 FLANGE² OUTLET
 - J = 165MM FN16 FLANGE² INLET X GE OUTLET
 - K = 8" FLANGE² INLET X FLANGE² OUTLET
 - L = 8" FN16 FLANGE² INLET X FN16 FLANGE² OUTLET

- VALVE COLOURS - FINISHES**
- 0 = NO VALVE (LOOSE OR SEGMENTALLY ASSEMBLED TRIM ONLY)
 - 1 = BLACK PAINTED VALVE
 - 2 = RED PAINTED VALVE
 - 3 = RED PAINTED VALVE WITH U.S. SOURCED TRIM
 - 4 = CCC APPROVED VALVE*
 - 5 = BLACK PAINTED VALVE WITH U.S. SOURCED TRIM

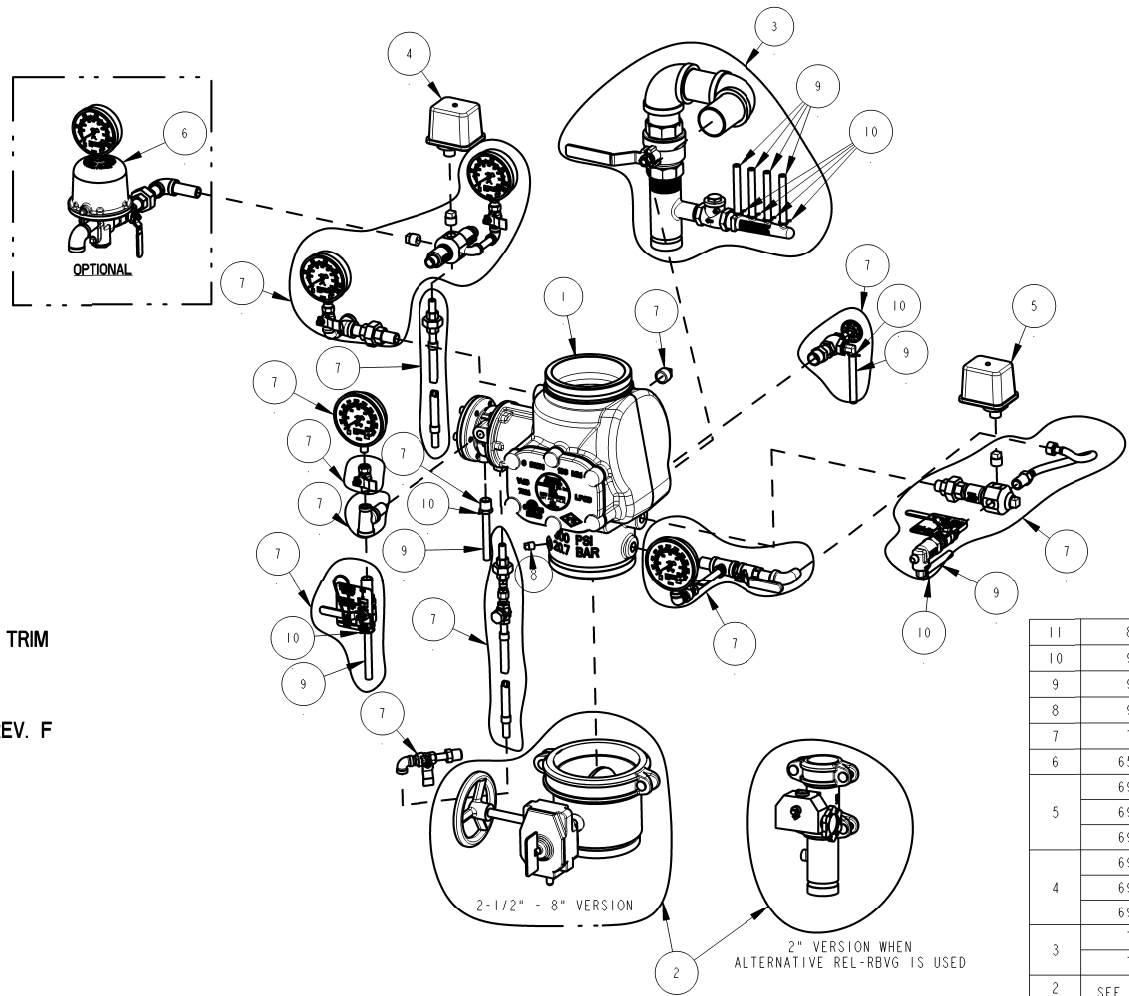
- ASSEMBLY CONTROL VALVE TRIM**
- 0 = LOOSE TRIM FOR 2"-3" VALVES**
 - 1 = LOOSE TRIM FOR 4"-8" VALVES**
 - 2 = SEGMENTALLY ASSEMBLED FOR 2"-3" VALVES**
 - 3 = SEGMENTALLY ASSEMBLED FOR 4"-8" VALVES**
 - 4 = FULLY ASSEMBLED TO EX VALVE W/O CONTROL VALVE
 - 5 = FULLY ASSEMBLED TO EX VALVE WITH CONTROL VALVE



- NOTES:**
1. CONTROL VALVE IS SUBJECT TO LOSS OF PRESSURE AND/OR FLUID LEAKAGE. USE WITH CARE AND FOLLOW ALL INSTRUCTIONS.
 2. FLANGE¹ AND FLANGE² ARE SUBJECT TO LOSS OF PRESSURE AND/OR FLUID LEAKAGE. USE WITH CARE AND FOLLOW ALL INSTRUCTIONS.
 3. CONTROL VALVE IS SUBJECT TO LOSS OF PRESSURE AND/OR FLUID LEAKAGE. USE WITH CARE AND FOLLOW ALL INSTRUCTIONS.
 4. CONTROL VALVE IS SUBJECT TO LOSS OF PRESSURE AND/OR FLUID LEAKAGE. USE WITH CARE AND FOLLOW ALL INSTRUCTIONS.
 5. CONTROL VALVE IS SUBJECT TO LOSS OF PRESSURE AND/OR FLUID LEAKAGE. USE WITH CARE AND FOLLOW ALL INSTRUCTIONS.
 6. CONTROL VALVE IS SUBJECT TO LOSS OF PRESSURE AND/OR FLUID LEAKAGE. USE WITH CARE AND FOLLOW ALL INSTRUCTIONS.
 7. CONTROL VALVE IS SUBJECT TO LOSS OF PRESSURE AND/OR FLUID LEAKAGE. USE WITH CARE AND FOLLOW ALL INSTRUCTIONS.
 8. CONTROL VALVE IS SUBJECT TO LOSS OF PRESSURE AND/OR FLUID LEAKAGE. USE WITH CARE AND FOLLOW ALL INSTRUCTIONS.
 9. CONTROL VALVE IS SUBJECT TO LOSS OF PRESSURE AND/OR FLUID LEAKAGE. USE WITH CARE AND FOLLOW ALL INSTRUCTIONS.
 10. CONTROL VALVE IS SUBJECT TO LOSS OF PRESSURE AND/OR FLUID LEAKAGE. USE WITH CARE AND FOLLOW ALL INSTRUCTIONS.

- CONTROL VALVE TRIM**
- 0 = NONE
 - 1 = POTTER FM, CULUS APPROVED
 - 2 = SYSTEM SENSOR - M/J/C APPROVED
 - 3 = SYSTEM SENSOR - W/J/L APPROVED

- ACCELERATOR TRIM**
- 0 = NONE
 - 1 = WITH ACCELERATOR



MODEL EX DRY PIPE VALVE TRIM
CA-271 P/N 8924123
ASSEMBLY P/N 65X6061010 REV. F

PART NUMBER TABLE			
SIZE	VALVE ASSEMBLY BLACK (ITEM 1)	VALVE ASSEMBLY RED (ITEM 1)	CONTROL VALVE S/A (ITEM 2)
2" (50MM) GR/GR	6101021010	6101021015	77000301
2-1/2" (65MM) GR/GR	6101025010	6101025015	77000302
3" (80MM) GR/GR	6101031010	6101031015	77000303
76MM GR/GR	N/A	6101051015	N/A
4" (100MM) GR/GR	6101041010	6101041015	77000304
4" (100MM) FL/GR CLASS 150	6101041020	6101041025	N/A
4" (100MM) FL/GR PN16	N/A	6101041045	
4" (100MM) FL/FL CLASS 150	6101041030	6101041035	
4" (100MM) FL/FL PN16	N/A	6101041055	
6" (168MM) GR/GR	6101061010	6101061015	77000306
6" (168MM) FL/GR CLASS 150	6101061020	6101061025	N/A
6" (168MM) FL/GR PN16	N/A	6101061045	
6" (168MM) FL/FL CLASS 150	6101061030	6101061035	
6" (168MM) FL/FL PN16	N/A	6101061055	
165MM GR/GR	N/A	6101065015	N/A
165MM FL/GR CLASS 150		6101065025	
165MM FL/GR PN16		6101065045	
8" (200MM) GR/GR	6101081010	6101081015	77000308
8" (200MM) FL/FL CLASS 150	6101081030	6101081035	N/A
8" (200MM) FL/FL PN16	N/A	6101081055	

ITEM NO.	PART NO.	DESCRIPTION	REMARKS	QTY.
11	89097903	THREAD SEALANT (NOT SHOWN)		A/R
10	95306255	HOSE CLAMP		8
9	96686756	HOSE, PVC, CLEAR, 1/2" O.D. X 6 FT		1
8	98614403	PIPE, PLUG, IRON, SQUARE HEAD, 1/4"	W/ SPOOL ONLY	1
7	77031005	SUBASSEMBLY, BASE TRIM		1
6	6516000013	KIT, ACCELERATOR TRIM (OPTIONAL)	(SHOWN IN YELLOW)	1
5	6990006382	SWITCH, PRESSURE, POTTER, PS10-2, ALARM		1
	6999992360	SWITCH, PRESSURE, SYSTEM SENSOR, EPSA10-2, ALARM		
	6999991212	SWITCH, PRESSURE, SYSTEM SENSOR, EPS10-2, ALARM		
4	6990019313	SWITCH, PRESSURE, POTTER, PS25-2, SYSTEM		1
	6999992361	SWITCH, PRESSURE, SYSTEM SENSOR, EPSA40-2, SYSTEM		
3	6999991340	SWITCH, PRESSURE, SYSTEM SENSOR, EPSA0-2, SYSTEM		1
	77031006	TRIM, SUBASSEMBLY, DRAIN, 2"-3"	(SHOWN IN BLUE)	
2	77031007	TRIM, SUBASSEMBLY, DRAIN, 4"-8"		1
	SEE PART NUMBER TABLE	SUBASSEMBLY, CONTROL VALVE		
1	SEE PART NUMBER TABLE	ASSEMBLY, VALVE, EX		1

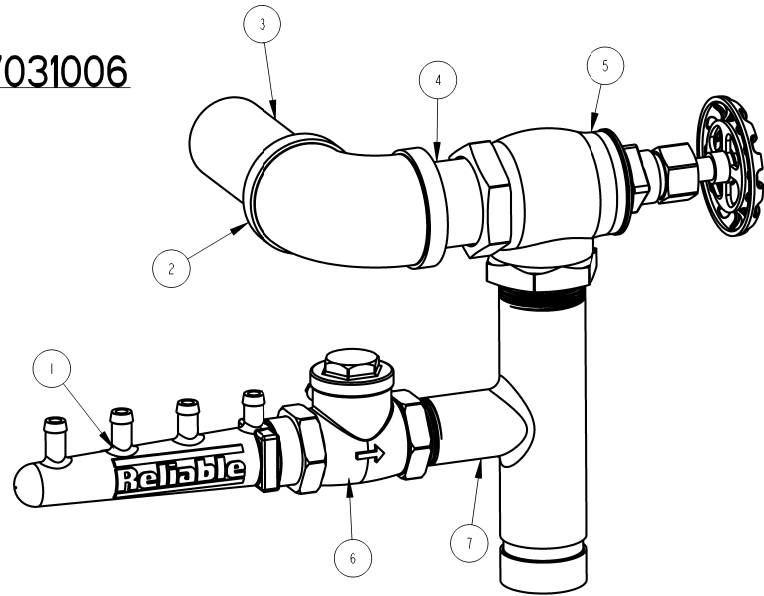
BILL OF MATERIALS

MODEL EX DRY PIPE VALVE TRIM
 CA-271 P/N 89241236
 SUBASSEMBLY P/N 77031005 REV. C



36	89141112	TIE, RETAINING		9
35	9884011A	VALVE, BALL, 1/2 NPTF X 1/2 NPTM		1
34	98840237	VALVE, BALL, 1/4" NPTF x 1/4" NPTM		5
33	98840188	VALVE, CHECK, 1/4" NPTM x 1/4" NPTF		1
32	98840147	CHECK VALVE, 1/4, NPT, POPPET TYPE INLINE		1
31	98840103	VALVE, ANGLE, 1/2"		1
30	98815201	UNION, 1/4, IRON, G. J., GALV.		2
29	98815200	UNION, 1/2, IRON, G. J., GALV.		2
28	98761649	TEE, 1/2X1/4X1/2, GALVANIZED		2
27	98751008	FITTING, MULTIPORT, 1/2x1/2x1/2x1/2x1/4x1/4		1
26	98751005	FITTING, MULTIPORT, 3/4x1/2x1/2x1/2x1/2		1
25	98727607	STRAINER, 1/4"		1
24	98614401	PIPE, PLUG, IRON, SQUARE HEAD, 3/4		2
23	98604406	PIPE, PLUG, IRON, SQUARE HEAD, 1/2		3
22	98543226	NIPPLE, 1/4X1-1/2, GALVANIZED STEEL		3
21	98543225	NIPPLE, 1/4X2-1/2, GALVANIZED STEEL		1
20	98543224	NIPPLE, 1/4X4-1/2, GALVANIZED STEEL		1
19	98543223	NIPPLE, 1/2X1-1/2, GALVANIZED STEEL		6
18	98543212	NIPPLE, 1/2XCLOSE, GALVANIZED STEEL		1
17	98543209	NIPPLE, 1/2X2, GALVANIZED STEEL		4
16	98248001	GAUGE, WATER PRESSURE (0-300 PSI)		2
15	98248000	GAUGE, AIR PRESSURE (0-80 PSI)		2
14	98174408	ELBOW, STREET, 1/4", GALV.		2
13	98174404	ELBOW, 1/4", MALL IRON, GALV.		3
12	98174400	ELBOW, STREET, 1/2", GALV.		1
11	98048022	BUSHING, REDUCER, 3/4X1/2, GALVANIZED		1
10	98048000	BUSHING, REDUCER, 1/2X1/4, GALVANIZED		1
9	96920944	HOSE, FLEXIBLE, STAINLESS STEEL, 1/4 NPT X 18 LONG		2
8	96920912	FLEX LINE, 12		1
7	96816906	VALVE, CHECK, MALE 1/2, MALE 1/2		3
6	96606607	TEE, 1/2X1/2X1/4, GALVANIZED		1
5	92056810	CONNECTOR, 3/8" ID TUBE x 1/2" NPT		2
4	92056704	CONNECTOR, ELBOW, 3/8" ID TUBE x 1/2" NPT		2
3	78653800	ASSEMBLY, BALL DRIP, 1/2"		1
2	78653004	ASSEMBLY, VALVE CAUTION STATION, 1/2"		1
1	78653000	ASSEMBLY, MANUAL EMERGENCY STATION		1
ITEM NO.	PART NO.	DESCRIPTION	REMARKS	QTY.
BILL OF MATERIALS				

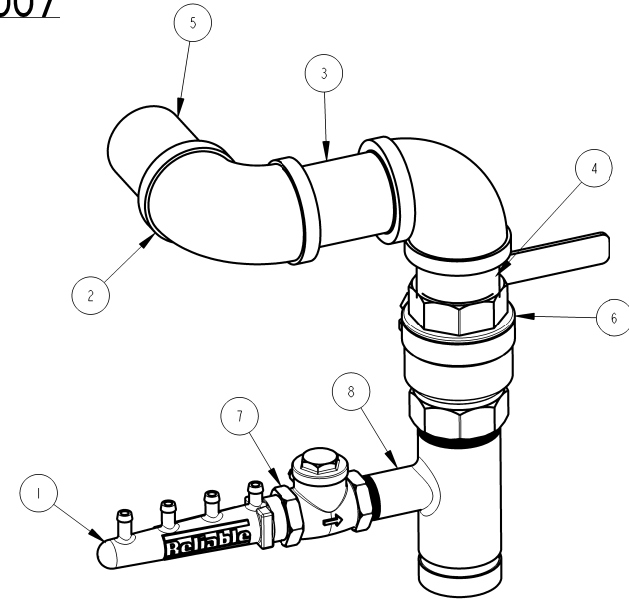
77031006



7	9101423C	MANIFOLD, 1-1/4 X 1-1/4 X 1, GRV/THD/THD		1
6	98840145	SWING CHECK VALVE, 1" NPT		1
5	98840106	VALVE, ANGLE, 1 1/4		1
4	98543285	NIPPLE, 1-1/4XCLOSE,GALVANIZED STEEL		1
3	98543250	NIPPLE, 1-1/4X4,GALVANIZED STEEL		1
2	98174414	ELBOW, 1-1/4", MALL IRON, GALV.		1
1	91004299	MANIFOLD, DRAIN, BARBED, 6-3/16		1
ITEM NO.	PART NO.	DESCRIPTION	REMARKS	QTY.

BILL OF MATERIALS

77031007



8	9101423B	MANIFOLD, 2 X 2 X 1, GRV/THD/THD		1
7	98840145	SWING CHECK VALVE, 1" NPT		1
6	98840136	VALVE, BALL, 2"		1
5	98543262	NIPPLE, 2X3-1/2,GALVANIZED STEEL		1
4	98543238	NIPPLE, 2XCLOSE,GALVANIZED STEEL		1
3	98543208	NIPPLE, 2X3,GALVANIZED STEEL		1
2	98174405	ELBOW, 2", MALL IRON, GALV.		2
1	91004299	MANIFOLD, DRAIN, BARBED, 6-3/16		1
ITEM NO.	PART NO.	DESCRIPTION	REMARKS	QTY.

BILL OF MATERIALS