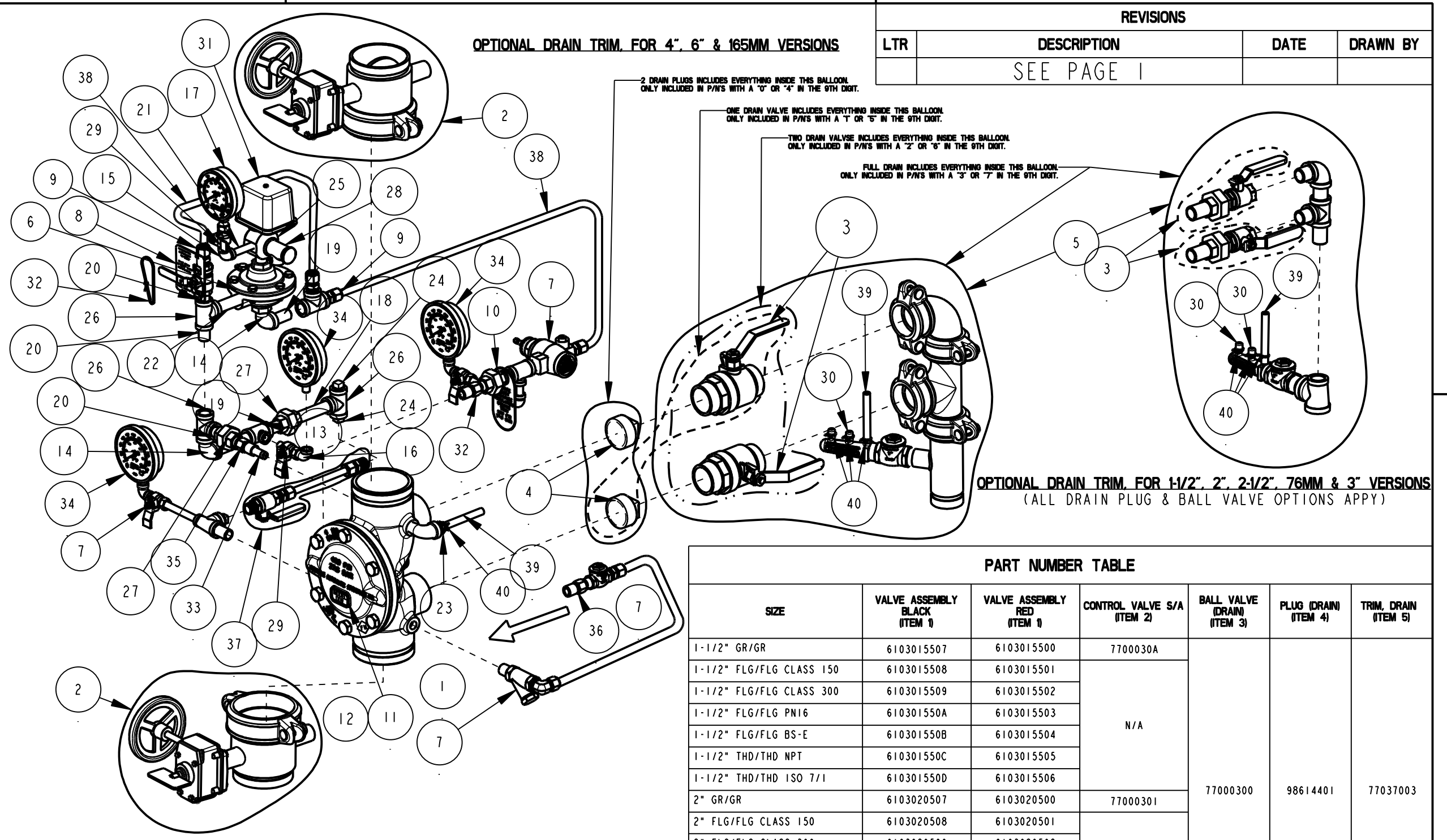
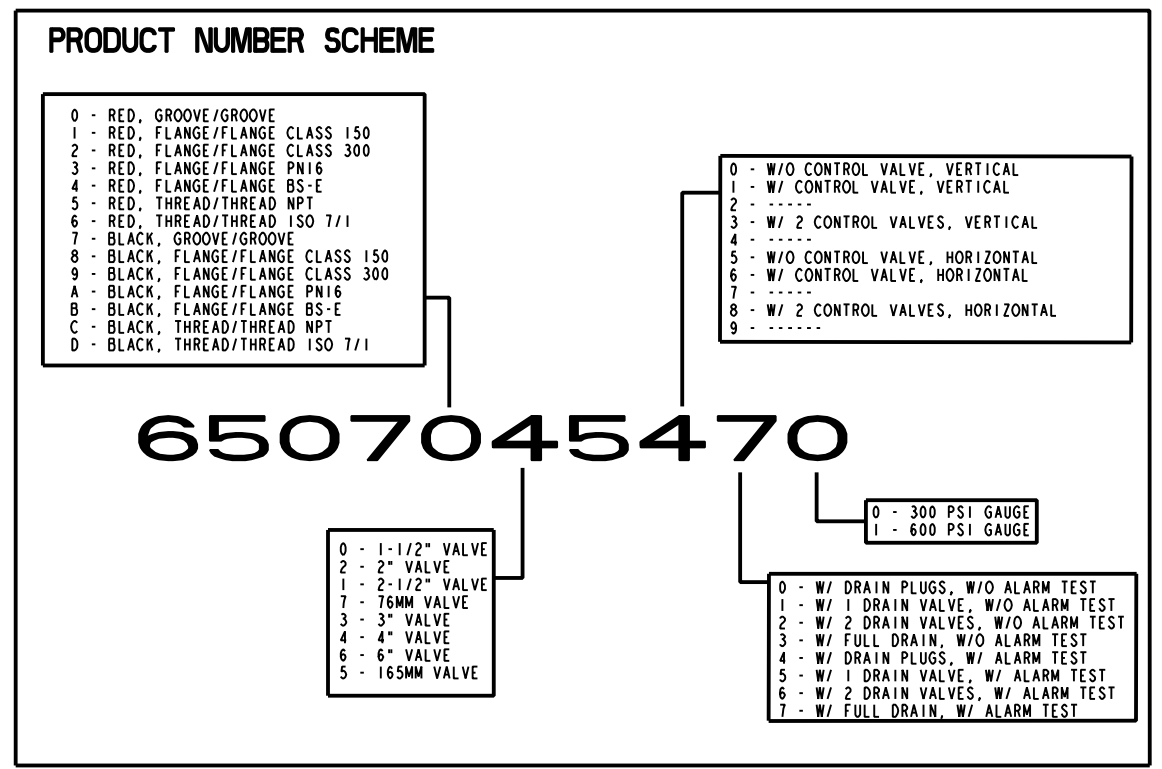


| | | | | |
|----------|-----------------------|---|--------------------|------|
| 42 | 95516918 | LOCTITE 271, THREAD LOCKER | NOT SHOWN | A/R |
| 41 | 89097903 | THREAD SEALANT | NOT SHOWN | A/R |
| 40 | 95306255 | CLAMP, HOSE, 1/2" CONSTANT TENSION, ZINC | | 4 |
| 39 | 96686756 | TUBING, PVC, 3/8" I.D. X 6 FT. | | A/R |
| 38 | 98768010 | COPPER TUBE, 1/2" | 50 IN | A/R |
| 37 | 77000283 | ALARM TEST KIT | | A/R |
| 36 | 98580015 | ORIFICE, RESTRICTING, 1/2" NPT, .125 ORIF. | 6" | 2 |
| | 98580023 | ORIFICE, RESTRICTING, 1/2" NPT, .093 ORIF. | 4" | |
| | 98580022 | ORIFICE, RESTRICTING, 1/2" NPT, .078 ORIF. | 3" | |
| | 98580022 | ORIFICE, RESTRICTING, 1/2" NPT, .078 ORIF. | 2-1/2" | |
| | 98580017 | ORIFICE, RESTRICTING, 1/2" NPT, .062 ORIF. | 2" | |
| | 98580017 | ORIFICE, RESTRICTING, 1/2" NPT, .062 ORIF. | 1-1/2" | |
| 35 | 98580018 | ORIFICE, RESTRICTING, 1/2" NPT, .188 ORIF. | 6" | 1 |
| | 98580015 | ORIFICE, RESTRICTING, 1/2" NPT, .125 ORIF. | 4" | |
| | 98580024 | ORIFICE, RESTRICTING, 1/2" NPT, .109 ORIF. | 3" | |
| | 98580024 | ORIFICE, RESTRICTING, 1/2" NPT, .109 ORIF. | 2-1/2" | |
| | 98580023 | ORIFICE, RESTRICTING, 1/2" NPT, .093 ORIF. | 2" | |
| | 98580022 | ORIFICE, RESTRICTING, 1/2" NPT, .078 ORIF. | 1-1/2" | |
| 34 | 98248005 | GAUGE, WATER PRESSURE (0-600 PSI) | | 3 |
| | 98248001 | GAUGE, WATER PRESSURE (0-300 PSI) | | |
| 33 | 98768201 | PICKUP TUBE, 3-1/2" | 6" ONLY | 1 |
| | 98768200 | PICKUP TUBE, 1-1/2" | 4" ONLY | |
| 32 | 89141112 | TIE, RETAINING | | 1 |
| 31 | 6990019313 | SWITCH, POTTER PRESSURE (PS25-2) | | 1 |
| 30 | 99050906 | END CAP, PVC, 1/2" | | 2 |
| 29 | 98840237 | VALVE, BALL, 1/4" NPT x 1/4" NPTM | | 2 |
| 28 | 98840228 | VALVE, RELIEF, 1/2", 50 PSI | | 1 |
| 27 | 98815200 | UNION, 1/2, IRON, G.J., GALV. | | 2 |
| 26 | 98761651 | TEE, 1/2X1/2X1/2, GALVANIZED | | 4 |
| 25 | 98751007 | FITTING, MULTIPORT, 3/4X1/2X1/2X1/2X1/4 | | 1 |
| 24 | 98604406 | PIPE, PLUG, IRON, SQUARE HEAD, 1/2 | | 2 |
| 23 | 98580016 | ORIFICE, DRAIN, BARBED | | 1 |
| 22 | 98543230 | NIPPLE, 1/2X3, GALVANIZED STEEL | | 1 |
| 21 | 98543225 | NIPPLE, 1/4X2-1/2, GALVANIZED STEEL | | 1 |
| 20 | 98543223 | NIPPLE, 1/2X1-1/2, GALVANIZED STEEL | | 4 |
| 19 | 98543209 | NIPPLE, 1/2X2, GALVANIZED STEEL | | 2 |
| 18 | 98543207 | NIPPLE, 1/2X4, GALVANIZED STEEL | | 2 |
| 17 | 98248000 | GAUGE, AIR PRESSURE (0-80 PSI) | | 1 |
| 16 | 98174408 | ELBOW, STREET, 1/4", GALV. | | 1 |
| 15 | 98174404 | ELBOW, 1/4", MALL IRON, GALV. | | 1 |
| 14 | 98174400 | ELBOW, STREET, 1/2", GALV. | | 2 |
| 13 | 96606607 | TEE, 1/2X1/2X1/4, GALVANIZED | | 1 |
| 12 | 94617015 | PLATE | | 1 |
| 11 | 94616999 | ADHESIVE, BACKING PAD | | 1 |
| 10 | 94616959 | NAMEPLATE | | 1 |
| 9 | 92056816 | ADAPTER, STRAIGHT, 1/2 O.D. TUBE X 1/2 NPT, BRASS | | 3 |
| 8 | 78653000 | ASSEMBLY, MANUAL EMERGENCY STATION | | 1 |
| 7 | 77037021 | BASE TRIM, PRESSURE REGULATING | | 1 |
| 6 | 71030010 | MODEL LP PILOT LINE ACTUATOR | | 1 |
| 5 | | TRIM, SUB-ASSY, DRAIN | | 1 |
| 4 | SEE PART NUMBER TABLE | PLUG (DRAIN) | SEE NOTES FOR QTY. | A/R |
| 3 | | BALL VALVE (DRAIN) | SEE NOTES FOR QTY. | A/R |
| 2 | | SUBASSEMBLY, CONTROL VALVE | SEE NOTES FOR QTY. | A/R |
| 1 | | ASSEMBLY, VALVE, DDV | | 1 |
| ITEM NO. | PART NO. | DESCRIPTION | REMARKS | QTY. |

BILL OF MATERIALS



**MODEL DDV
DRY PILOT-PRESSURE REGULATING DELUGE TRIM
ASSEMBLY P/N 6507045470 REV. K**



THIS DRAWING CONTAINS INFORMATION PROPRIETARY TO THE RELIABLE AUTOMATIC SPRINKLER CORP. IT MAY NOT BE REPRODUCED NOR MAY ANY INFORMATION HEREON BE DISCLOSED TO OTHERS WITHOUT THE SPECIFIC WRITTEN PERMISSION OF RELIABLE.

MTL. N/A
FINISH:
DO NOT SCALE DRAWING
REMOVE BURRS, BREAK SHARP EDGES
TOLERANCE UNLESS OTHERWISE SPECIFIED:
ANGLE ± 1/2 63
MACH FINISH
CONC. T.J.R.
SQUARENESS - PARALLELISM

FRACT. ± 1/32 [0.79]
DEC. XX ± .010 [0.25]
DEC. XXX ± .005 [0.13]

| REVISIONS | | | |
|-----------|-------------|------|----------|
| LTR | DESCRIPTION | DATE | DRAWN BY |
| | SEE PAGE 1 | | |

| SIZE | VALVE ASSEMBLY BLACK (ITEM 1) | VALVE ASSEMBLY RED (ITEM 1) | CONTROL VALVE S/A (ITEM 2) | BALL VALVE (DRAIN) (ITEM 3) | PLUG (DRAIN) (ITEM 4) | TRIM, DRAIN (ITEM 5) | |
|--------------------------|-------------------------------|-----------------------------|----------------------------|-----------------------------|-----------------------|----------------------|----------|
| 1-1/2" GR/GR | 6103015507 | 6103015500 | 7700030A | 77000300 | 98614401 | 77037003 | |
| 1-1/2" FLG/FLG CLASS 150 | 6103015508 | 6103015501 | N/A | | | | |
| 1-1/2" FLG/FLG CLASS 300 | 6103015509 | 6103015502 | | | | | |
| 1-1/2" FLG/FLG PN16 | 610301550A | 6103015503 | | | | | |
| 1-1/2" FLG/FLG BS-E | 610301550B | 6103015504 | | | | | |
| 1-1/2" THD/THD NPT | 610301550C | 6103015505 | | | | | |
| 1-1/2" THD/THD ISO 7/1 | 610301550D | 6103015506 | | | | | |
| 2" GR/GR | 6103020507 | 6103020500 | | | | | 77000301 |
| 2" FLG/FLG CLASS 150 | 6103020508 | 6103020501 | | | | | N/A |
| 2" FLG/FLG CLASS 300 | 6103020509 | 6103020502 | | | | | |
| 2" FLG/FLG PN16 | 610302050A | 6103020503 | | | | | |
| 2" FLG/FLG BS-E | 610302050B | 6103020504 | | | | | |
| 2" THD/THD NPT | 610302050C | 6103020505 | | | | | |
| 2" THD/THD ISO 7/1 | 610302050D | 6103020506 | | | | | |
| 2-1/2" GR/GR | 6103025507 | 6103025500 | 77000302 | | | | |
| 2-1/2" FLG/FLG CLASS 150 | 6103025508 | 6103025501 | N/A | | | | |
| 2-1/2" FLG/FLG CLASS 300 | 6103025509 | 6103025502 | | | | | |
| 2-1/2" FLG/FLG PN16 | 610302550A | 6103025503 | | | | | |
| 2-1/2" FLG/FLG BS-E | 610302550B | 6103025504 | | | | | |
| 2-1/2" THD/THD NPT | 610302550C | 6103025505 | | | | | |
| 2-1/2" THD/THD ISO 7/1 | 610302550D | 6103025506 | | | | | |
| 76MM GR/GR | 6103076507 | 6103076500 | | N/A | 77000299 | 95200126 | 77037004 |
| 3" GR/GR | 6103030507 | 6103030500 | | 77000303 | N/A | | |
| 3" FLG/FLG CLASS 150 | 6103030508 | 6103030501 | | N/A | | | |
| 3" FLG/FLG CLASS 300 | 6103030509 | 6103030502 | | | | | |
| 3" FLG/FLG PN16 | 610303050A | 6103030503 | | | | | |
| 3" FLG/FLG BS-E | 610303050B | 6103030504 | | | | | |
| 3" THD/THD NPT | 610303050C | 6103030505 | | | | | |
| 3" THD/THD ISO 7/1 | 610303050D | 6103030506 | | | | | |
| 4" GR/GR | 6103040507 | 6103040500 | 77000304 | | | | |
| 4" FLG/FLG CLASS 150 | 6103040508 | 6103040501 | N/A | | | | |
| 4" FLG/FLG CLASS 300 | 6103040509 | 6103040502 | | | | | |
| 4" FLG/FLG PN16 | 610304050A | 6103040503 | | | | | |
| 4" FLG/FLG BS-E | 610304050B | 6103040504 | | | | | |
| 6" GR/GR | 6103060507 | 6103060500 | | | 77000306 | 9884011D | 95206106 |
| 6" FLG/FLG CLASS 150 | 6103060508 | 6103060501 | | N/A | | | |
| 6" FLG/FLG CLASS 300 | 6103060509 | 6103060502 | | | | | |
| 6" FLG/FLG PN16 | 610306050A | 6103060503 | | | | | |
| 6" FLG/FLG BS-E | 610306050B | 6103060504 | | | | | |
| 165MM GR/GR | 6103065507 | 6103065500 | | | N/A | | |

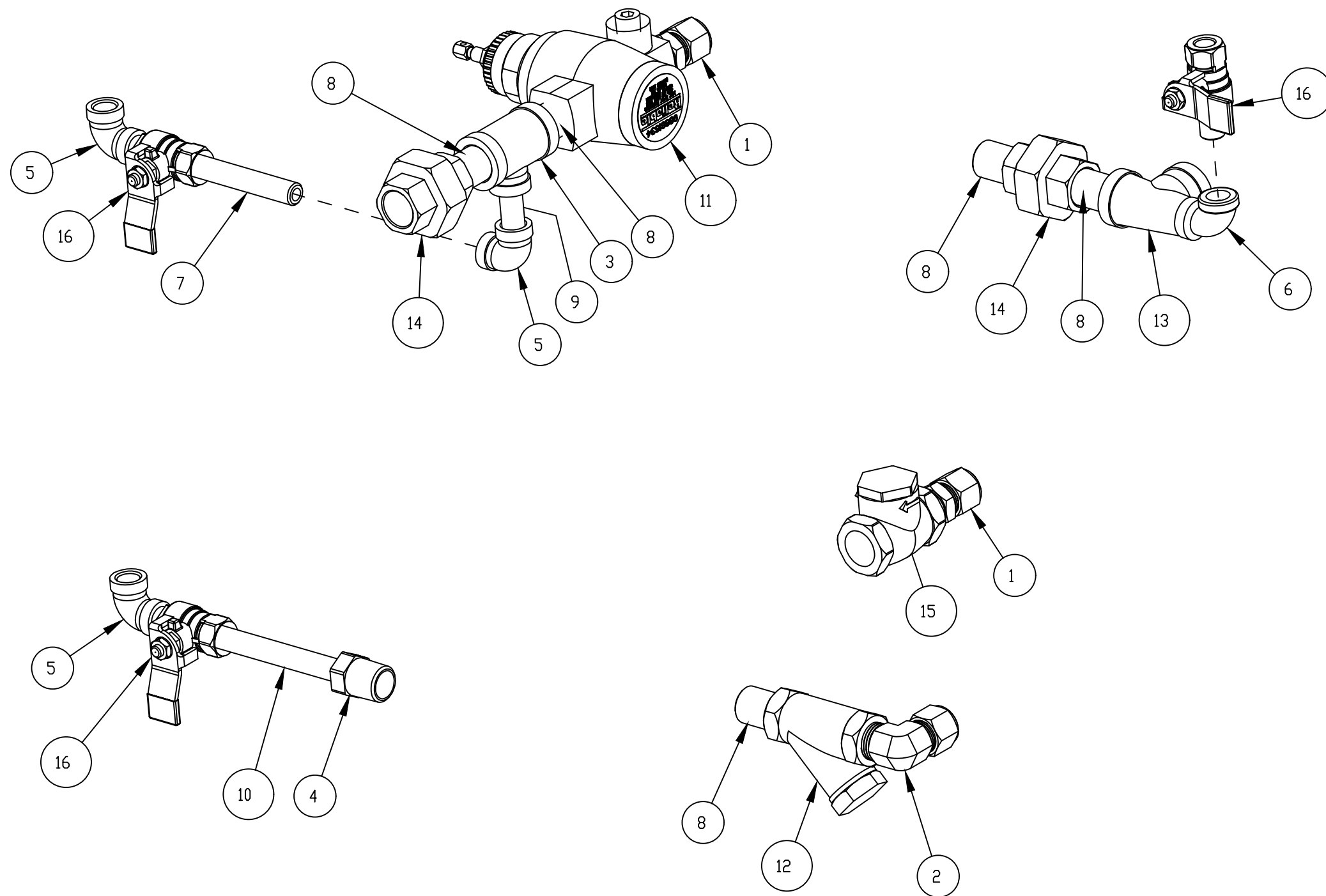
THE RELIABLE AUTOMATIC SPRINKLER CO., INC.
LIBERTY, S.C.

PART NO: 6507045470 DWG.SI: C

PART: ASSEMBLY, DRY PILOT, PRESSURE REGULATING

PRODUCT: MODEL DDV, DIAPHRAGM VALVE TRIM

FILE NO: 6507045470 ENG: DD DRW BY: C'K'D: SCALE: 1:8 DATE: SHEET 2 of 2



| 16 | 98840237 | VALVE, BALL, 1/4" NPTF x 1/4" NPTM | | 3 |
|----------|----------|---|---------|------|
| 15 | 98840181 | HORIZ. SWING CHECK VALVE, 1/2" NPT | | 1 |
| 14 | 98815200 | UNION, 1/2, IRON, G.J., GALV. | | 2 |
| 13 | 98761649 | TEE, 1/2X1/4X1/2, GALVANIZED | | 1 |
| 12 | 98727615 | STRAINER, TRIM | | 1 |
| 11 | 98681634 | ASSEMBLY, REGULATOR, MODIFIED | | 1 |
| 10 | 98543243 | NIPPLE, 1/4X4, GALVANIZED STEEL | | 1 |
| 9 | 98543226 | NIPPLE, 1/4X1-1/2, GALVANIZED STEEL | | 1 |
| 8 | 98543223 | NIPPLE, 1/2X1-1/2, GALVANIZED STEEL | | 5 |
| 7 | 98543220 | NIPPLE, 1/4X3, GALVANIZED STEEL | | 1 |
| 6 | 98174408 | ELBOW, STREET, 1/4", GALV. | | 1 |
| 5 | 98174404 | ELBOW, 1/4", MALL IRON, GALV. | | 3 |
| 4 | 98048000 | BUSHING, REDUCER, 1/2X1/4, GALVANIZED | | 1 |
| 3 | 96606607 | TEE, 1/2X1/2X1/4, GALVANIZED | | 1 |
| 2 | 92606707 | ADAPTER, ELBOW, 90°, 1/2 OD TUBE, 1/2 NPT, BRASS | | 1 |
| 1 | 92056816 | ADAPTER, STRAIGHT, 1/2 D.D. TUBE X 1/2 NPT, BRASS | | 2 |
| ITEM NO. | PART NO. | DESCRIPTION | REMARKS | QTY. |

BILL OF MATERIALS

| | |
|---|------------------|
| MTL. N/A | REV. 0 VER. 0 |
| FINISH: | |
| DO NOT SCALE DRAWING REMOVE BURRS, BREAK SHARP EDGES TOLERANCE UNLESS OTHERWISE SPECIFIED: ANGLE ± 1/2° FRACT. ± 1/32 [0.75] MACH. FINISH DEC. XX ± .010 [0.25] CONC. T.I.R. 63/ DEC. XXX ± .005 [0.13] SQUARENESS - PARALLELISM | |

| | | | |
|---|----------------|--------------|----------|
| THE RELIABLE AUTOMATIC SPRINKLER CO., INC. LIBERTY, S.C. | | | |
| PART NO: 77037021 | | DWG.SIZE: C | |
| PART: BASE TRIM, PRESSURE REGULATING | | | |
| PRODUCT: MODEL DDV DIAPHRAGM TRIM | | | |
| FILE NO: 77037021 | ENG: DD | DRW BY: JB | C'K'D: ~ |
| SCALE: 2:5 | DATE: 01/16/17 | SHEET 1 of 1 | |

THIS DRAWING CONTAINS INFORMATION PROPRIETARY TO THE RELIABLE AUTOMATIC SPRINKLER CORP. IT MAY NOT BE REPRODUCED NOR MAY ANY INFORMATION HEREON BE DISCLOSED TO OTHERS WITHOUT THE SPECIFIC WRITTEN PERMISSION OF RELIABLE.

4

3

2

1

D

D

C

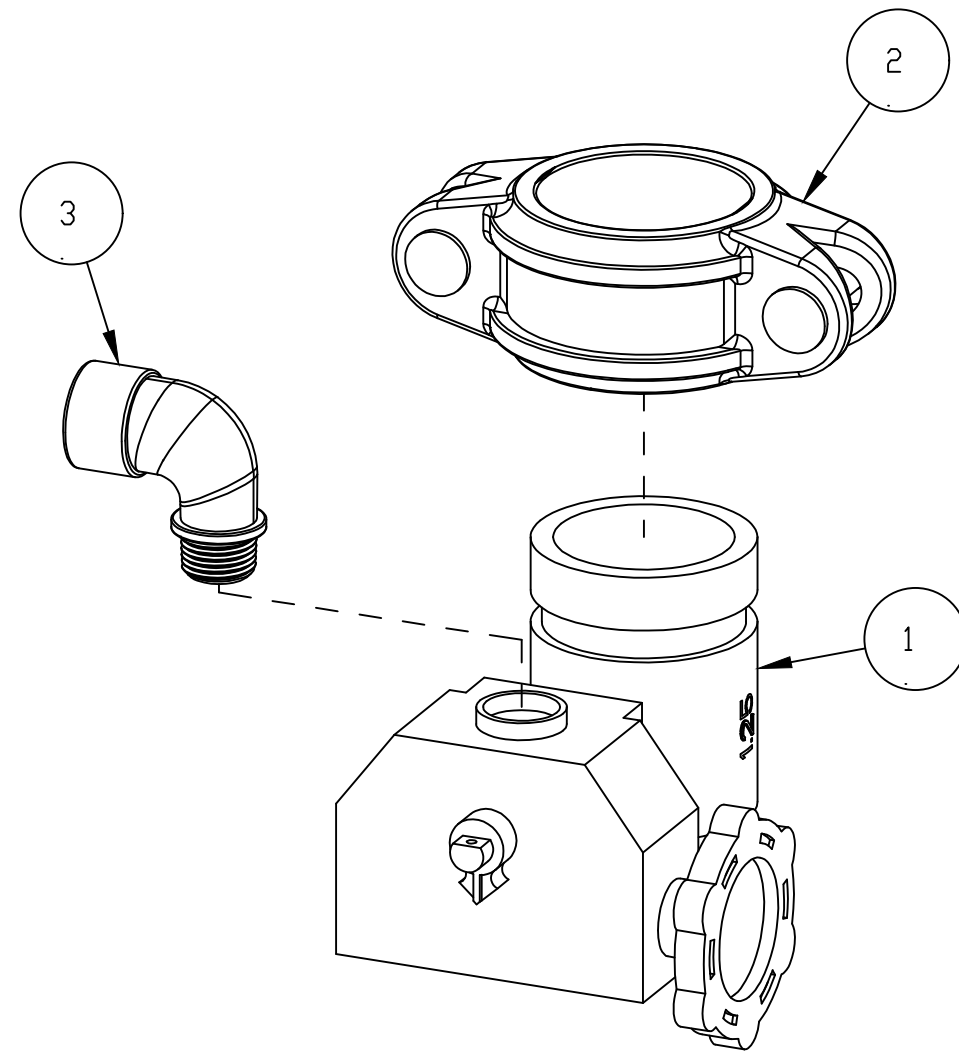
C

B

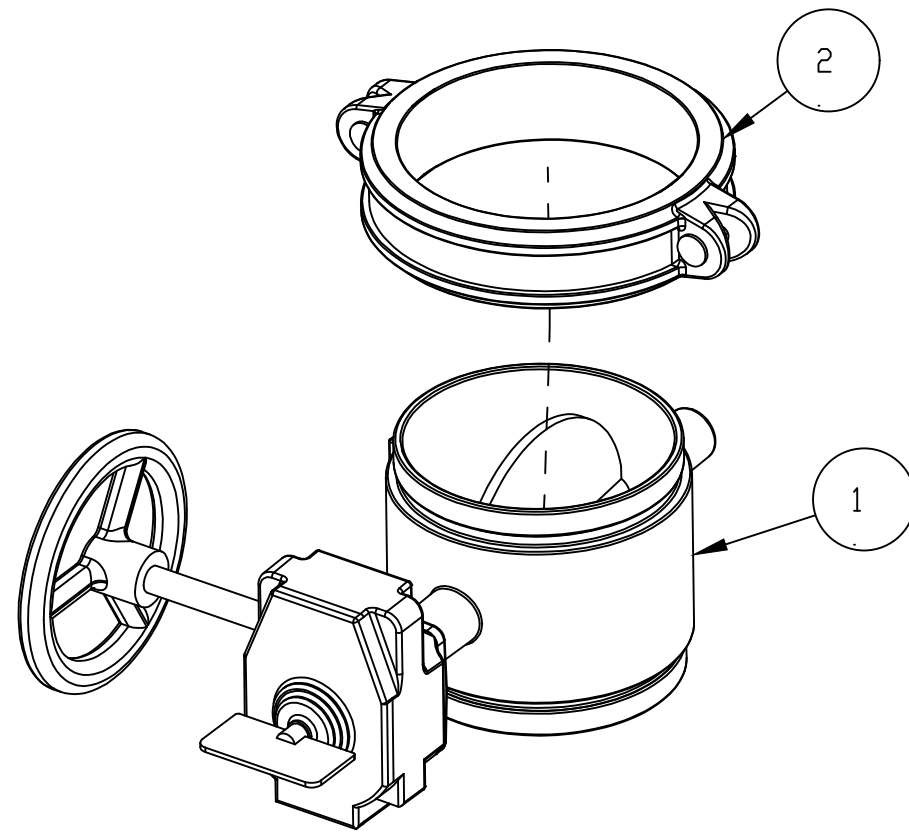
B

A

A



ASSEMBLY VIEW FOR
1-1/2" AND 2"



ASSEMBLY VIEW FOR
2-1/2" - 8"

EEG

P/N TABLE AND BOM

| ITEM NO. | DESCRIPTION | QTY | 1-1/2" (40MM) P/N 7700030A | 2" (100MM) P/N 77000301 | 2-1/2" (100MM) P/N 77000302 | 3" (100MM) P/N 77000303 | 4" (100MM) P/N 77000304 | 6" (150MM) P/N 77000306 | 8" (200MM) P/N 77000308 | 76MM P/N 77000305 | 165MM P/N 77000307 |
|------------------------|-------------------------------|-----|----------------------------|-------------------------|-----------------------------|-------------------------|-------------------------|-------------------------|-------------------------|-------------------|--------------------|
| 1 | BUTTERFLY VALVE, 1-1/2" | 1 | 7M99004568 | | | | | | | | |
| | BUTTERFLY VALVE, 2" | 1 | | 7M99004569 | | | | | | | |
| | BUTTERFLY VALVE, 2-1/2" | 1 | | | 7M99004938 | | | | | | |
| | BUTTERFLY VALVE, 3" | 1 | | | | 7M99004939 | | | | | |
| | BUTTERFLY VALVE, 4" | 1 | | | | | 7M99004940 | | | | |
| | BUTTERFLY VALVE, 6" | 1 | | | | | | 7M99004941 | | | |
| | BUTTERFLY VALVE, 8" | 1 | | | | | | | 7M99004942 | | |
| | BUTTERFLY VALVE, 76MM | 1 | | | | | | | | 7U99002805 | |
| BUTTERFLY VALVE, 165MM | 1 | | | | | | | | | 7U99002806 | |
| 2 | COUPLING, RIGID, 1-1/2" | 1 | 7G05060600 | | | | | | | | |
| | COUPLING, RIGID, 2" | 1 | | 7G05080800 | | | | | | | |
| | COUPLING, RIGID, 2-1/2" | 1 | | | 7G05101000 | | | | | | |
| | COUPLING, RIGID, 3" | 1 | | | | 7G05121200 | | | | | |
| | COUPLING, RIGID, 4" | 1 | | | | | 7G05161600 | | | | |
| | COUPLING, RIGID, 6" | 1 | | | | | | 7G05242400 | | | |
| | COUPLING, RIGID, 8" | 1 | | | | | | | 7G05323200 | | |
| | COUPLING, RIGID, 76MM | 1 | | | | | | | | 7T15101009 | |
| | COUPLING, RIGID, 165MM | 1 | | | | | | | | | 7T15242409 |
| 3 | ELBOW, RIGID, STREET, CONDUIT | 1 | | 98174451 | | | | | | | 98174451 |

THIS DRAWING CONTAINS INFORMATION PROPRIETARY TO THE RELIABLE AUTOMATIC SPRINKLER CORP. IT MAY NOT BE REPRODUCED NOR MAY ANY INFORMATION HEREON BE DISCLOSED TO OTHERS WITHOUT THE SPECIFIC WRITTEN PERMISSION OF RELIABLE.

MTL. N/A
FINISH:
DO NOT SCALE DRAWING
REMOVE BURRS, BREAK SHARP EDGES
TOLERANCE UNLESS OTHERWISE SPECIFIED:
ANGLE ± 1/2° FRACT. ± 1/32
[0.79]
MACH. FINISH DEC. XX ± .010
[0.25]
CONC. T.I.R. 63/ DEC. XXX ± .005
[0.13]
SQUARENESS - PARALLELISM 0041P

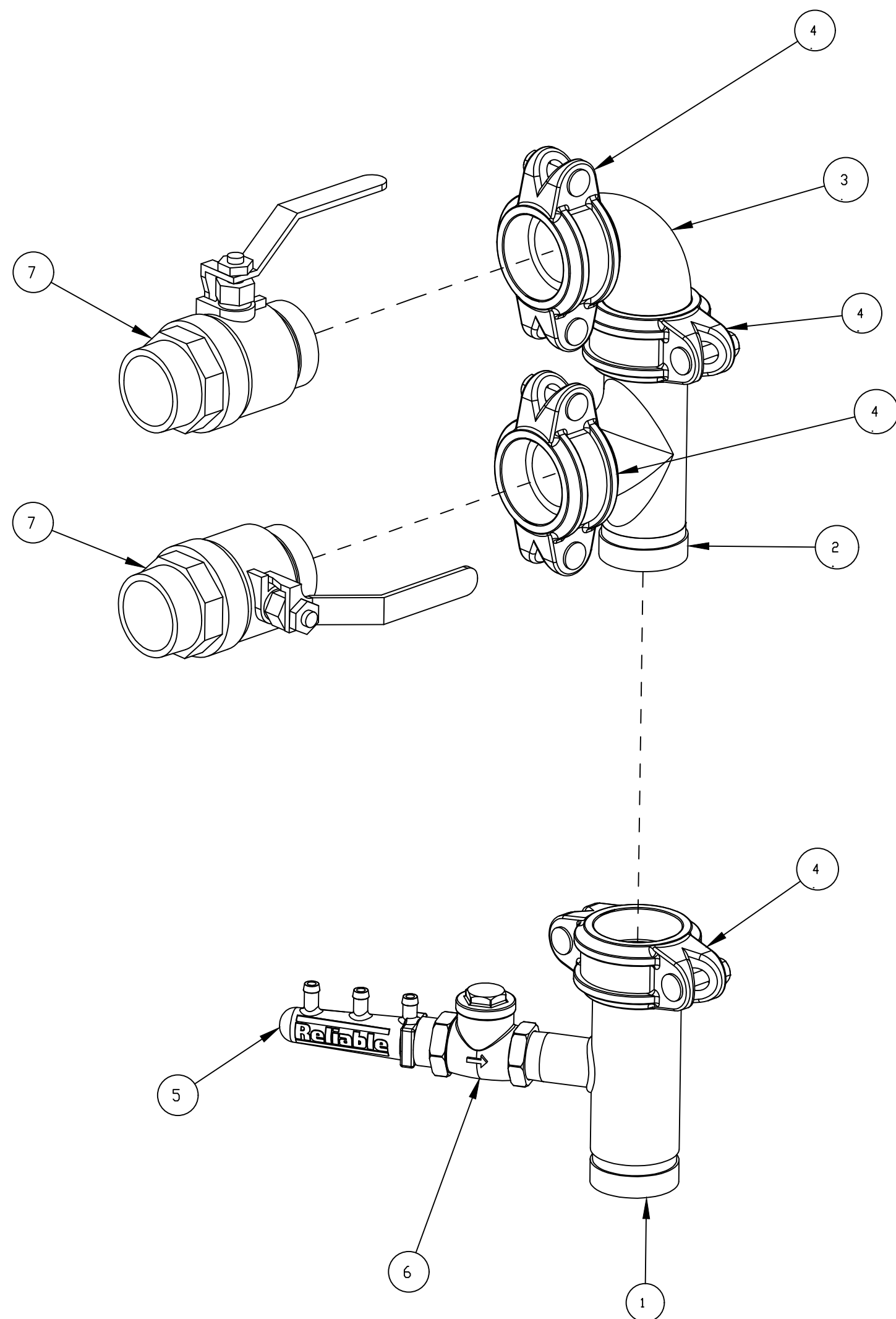
THE RELIABLE AUTOMATIC SPRINKLER CO., INC.
LIBERTY, S.C.
PART NO: 77000306 DWG.SI: EEG
PART: SUBASSEMBLY, CONTROL VALVE
PRODUCT: VARIOUS TRIMS
FILE NO: 77000306 ENG: DD DRW BY: MK C'K'D:
SCALE: 1:4 DATE: 02/08/16 SHEET 1 of 1

4

3

2

1



| ITEM NO. | PART NO. | DESCRIPTION | PAINTED | GALVANIZED |
|----------|------------|--|-----------------------------|-----------------------------|
| | | | SUB-ASSY P/N 77037002 | SUB-ASSY P/N 77037005 |
| 1 | 96610014 | TEE, WELDED, 2" GRV x 2" GRV x 1" THRD, PTD | 1 | - |
| | 96610021 | TEE, WELDED, 2" GRV x 2" GRV x 1" THRD, GALV | - | 1 |
| 2 | 96613020 | TEE, 2" x 2" x 2", GRV, PTD | 1 | - |
| | 96613021 | TEE, 2" x 2" x 2", GRV, GALV | - | 1 |
| 3 | 98174500 | EL. BOW, 2", GRV, PTD | 1 | - |
| | 98174501 | EL. BOW, 2", GRV, GALV | - | 1 |
| 4 | 7G05080800 | COUPLING, RIGID, 2", PTD | 4 | - |
| | 7G05080801 | COUPLING, RIGID, 2", GALV | - | 4 |

| | | | | |
|---|-----------|--|--|---|
| 7 | 9884011D | VALVE, BALL 2 GROOVED X THREADED, TRIM | | 2 |
| 6 | 98840145 | SWING CHECK VALVE, 1" NPT | | 1 |
| 5 | 91004298 | MANIFOLD, DRAIN, BARBED, 4-7/8 | | 1 |
| 4 | SEE TABLE | COUPLING, RIGID, 2" | | 4 |
| 3 | | TEE, 2 x 2 x 2, GRV/GRV | | 1 |
| 2 | | TEE, 2 x 2 x 2, GRV/GRV | | 1 |
| 1 | | TEE, WELDED, 2" GRV X 2" GRV X 1" THRD | | 1 |

| ITEM NO. | PART NO. | DESCRIPTION | REMARKS | QTY. |
|-------------------|----------|-------------|---------|------|
| BILL OF MATERIALS | | | | |

MTL.
N/A

FINISH:

DO NOT SCALE DRAWING
REMOVE BURRS, BREAK SHARP EDGES
TOLERANCE UNLESS OTHERWISE SPECIFIED:
ANGLE ± 1/2° FRACT. ± 1/32
[0.79]
MACH. FINISH DEC. XX ± .010
[0.25]
CONC. T.I.R. 63/ DEC. XXX ± .005
[0.13]
SQUARENESS - PARALLELISM

THE RELIABLE AUTOMATIC SPRINKLER CO., INC.
LIBERTY, S.C.

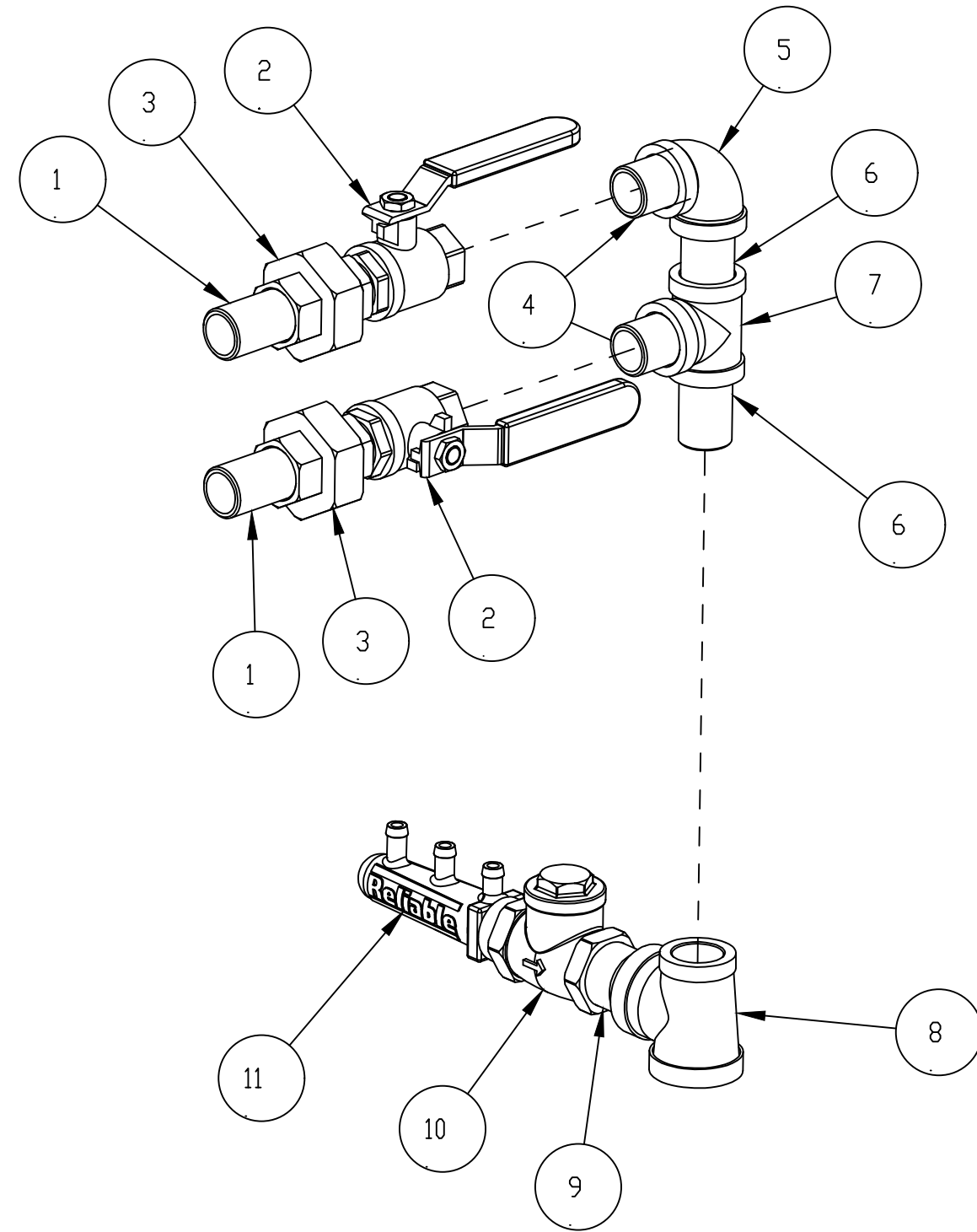
PART NO: SEE TABLE DWG. SIZE: C

PART: TRIM, DRAIN SUB-ASSY

PRODUCT: MODEL DDV 4" - 10"

| | | | |
|----------------------|----------------|--------------|--------|
| FILE NO: 77037002 | ENG: DD | DRW BY: MK | C'K'D: |
| SCALE: 1:3 | DATE: 05/20/16 | SHEET 1 of 1 | |

THIS DRAWING CONTAINS INFORMATION PROPRIETARY TO THE RELIABLE AUTOMATIC SPRINKLER CORP. IT MAY NOT BE REPRODUCED NOR MAY ANY INFORMATION HEREON BE DISCLOSED TO OTHERS WITHOUT THE SPECIFIC WRITTEN PERMISSION OF RELIABLE.



DRAIN SUB-ASSY P/N 0266P 1-1/2" - 2" SHOWN

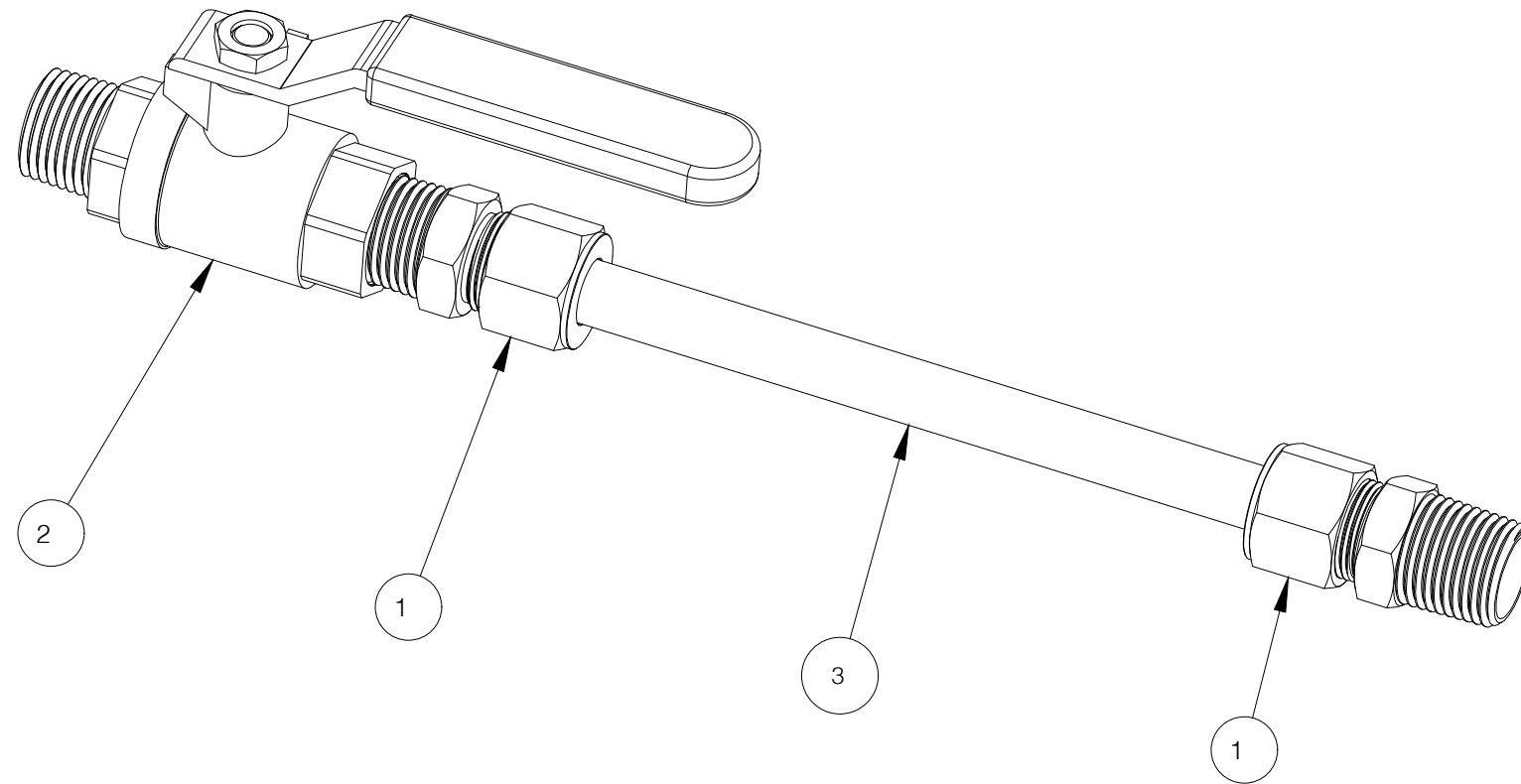
| | | | | |
|--------------|----------|--|---|--------------|
| 11 | 91004298 | MANIFOLD, DRAIN, BARBED | 1 | 1 |
| 10 | 98840145 | VALVE, CHECK, 1" | 1 | 1 |
| 9 | 98543213 | NIPPLE, STEEL, GALV., 1" X 1-1/2" | 1 | 1 |
| 8 | 96606630 | TEE, GLVN., 1-1/4" X 1-1/4" X 1" | — | 1 |
| | 96606602 | TEE, GLVN., 3/4" X 1" X 1" | 1 | — |
| 7 | 96606634 | TEE, GLVN., 1-1/4" X 1-1/4" X 1-1/4" | — | 1 |
| | 96606601 | TEE, GLVN., 3/4" | 1 | — |
| 6 | 98543296 | NIPPLE, STEEL, GALV., 1-1/4" X 2-1/2" | — | 2 |
| | 98543232 | NIPPLE, STEEL, GALV., 3/4" X 2" | 2 | — |
| 5 | 98174414 | ELL, 1-1/4", MALL IRON, GALV. | — | 1 |
| | 98174402 | ELL, 3/4", MALL IRON, GALV. | 1 | — |
| 4 | 98543285 | NIPPLE, STEEL, GALV., 1-1/4" X CLOSE" | — | 2 |
| | 98543215 | NIPPLE, STEEL, GALV., 3/4" X 1-1/2" | 2 | — |
| 3 | 98815208 | UNION, 1-1/4", IRON, G.J., GALV. | — | 2 |
| | 98815202 | UNION, 3/4", IRON, G.J., GALV. | 2 | — |
| 2 | 9884011C | VALVE, BALL, 1-1/4" NPTM X 1-1/4" NPTF | — | 2 |
| | 9884011B | VALVE, BALL, 3/4" NPTM X 3/4" NPTF | 2 | — |
| 1 | 98543297 | NIPPLE, STEEL, GAL., 1-1/4" X 2" | — | 2 |
| | 98543232 | NIPPLE, STEEL, GALV., 3/4" X 2" | 2 | — |
| X | 77037004 | TRIM, DRAIN SUB-ASSY, 2-1/2" - 3" | — | X |
| X | 77037003 | TRIM, DRAIN SUB-ASSY, 1-1/2" - 2" | — | X |

| ITEM NO. | PART NO. | DESCRIPTION | QTY. | |
|-------------------|----------|-------------|------|--|
| BILL OF MATERIALS | | | | |

| | |
|---|--------------|
| MTL. N/A | REV. VER. |
| FINISH: | |
| DO NOT SCALE DRAWING REMOVE BURRS, BREAK SHARP EDGES TOLERANCE UNLESS OTHERWISE SPECIFIED: ANGLE ± 1/2° FRACT. ± 1/32 [0.75] MACH. FINISH DEC. XX ± .010 [0.25] CONC. T.I.R. 63/ DEC. XXX ± .005 [0.13] SQUARENESS - PARALLELISM | |

| | | | |
|---|----------------|-------------|--------|
| THE RELIABLE AUTOMATIC SPRINKLER CO., INC. LIBERTY, S.C. | | | |
| PART NO: VARIOUS | | DWG.SIZE: C | |
| PART: TRIM, DRAIN SUB-ASSY | | | |
| PRODUCT: MODEL DDV 1-1/2" - 3" | | | |
| FILE NO: 77037003 | ENG: DD | DRW BY: JB | C'K'D: |
| SCALE: 1:3 | DATE: 02/10/17 | SHEET 1of1 | |

THIS DRAWING CONTAINS INFORMATION PROPRIETARY TO THE RELIABLE AUTOMATIC SPRINKLER CORP. IT MAY NOT BE REPRODUCED NOR MAY ANY INFORMATION HEREON BE DISCLOSED TO OTHERS WITHOUT THE SPECIFIC WRITTEN PERMISSION OF RELIABLE.



ALARM TEST CONNECTION
PRESSURE REGULATING DDV DELUGE

| | | | | |
|-------------------|----------|---|---------|------|
| 3 | 98768010 | COPPER TUBE, 1/2" | 18 IN | A/R |
| 2 | 9884011A | VALVE, BALL, 1/2 NPTF X 1/2 NPTM | | 1 |
| 1 | 92056816 | ADAPTER, STRAIGHT, 1/2 O.D. TUBE X 1/2 NPT, BRASS | | 2 |
| ITEM NO. | PART NO. | DESCRIPTION | REMARKS | QTY. |
| BILL OF MATERIALS | | | | |