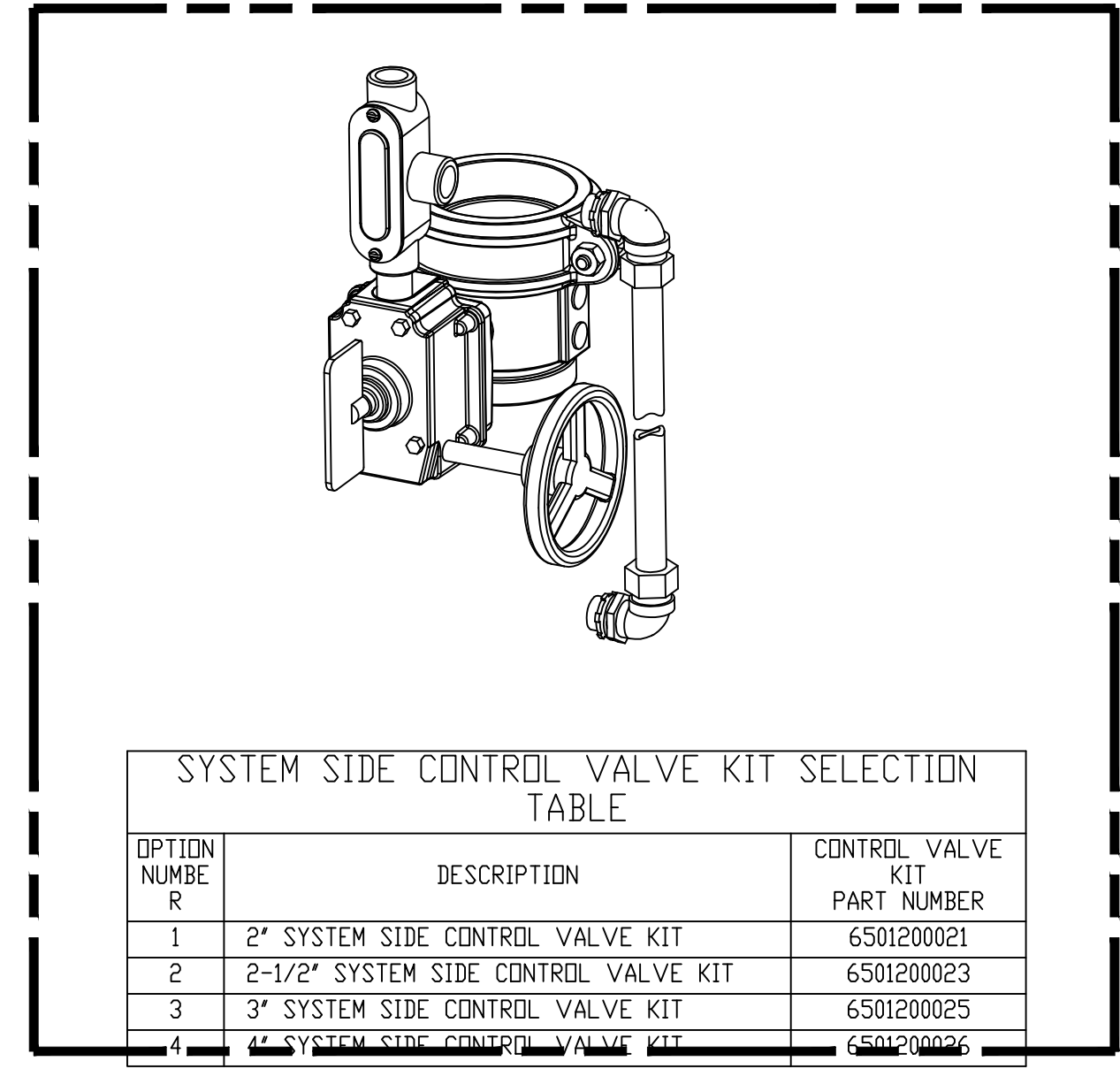
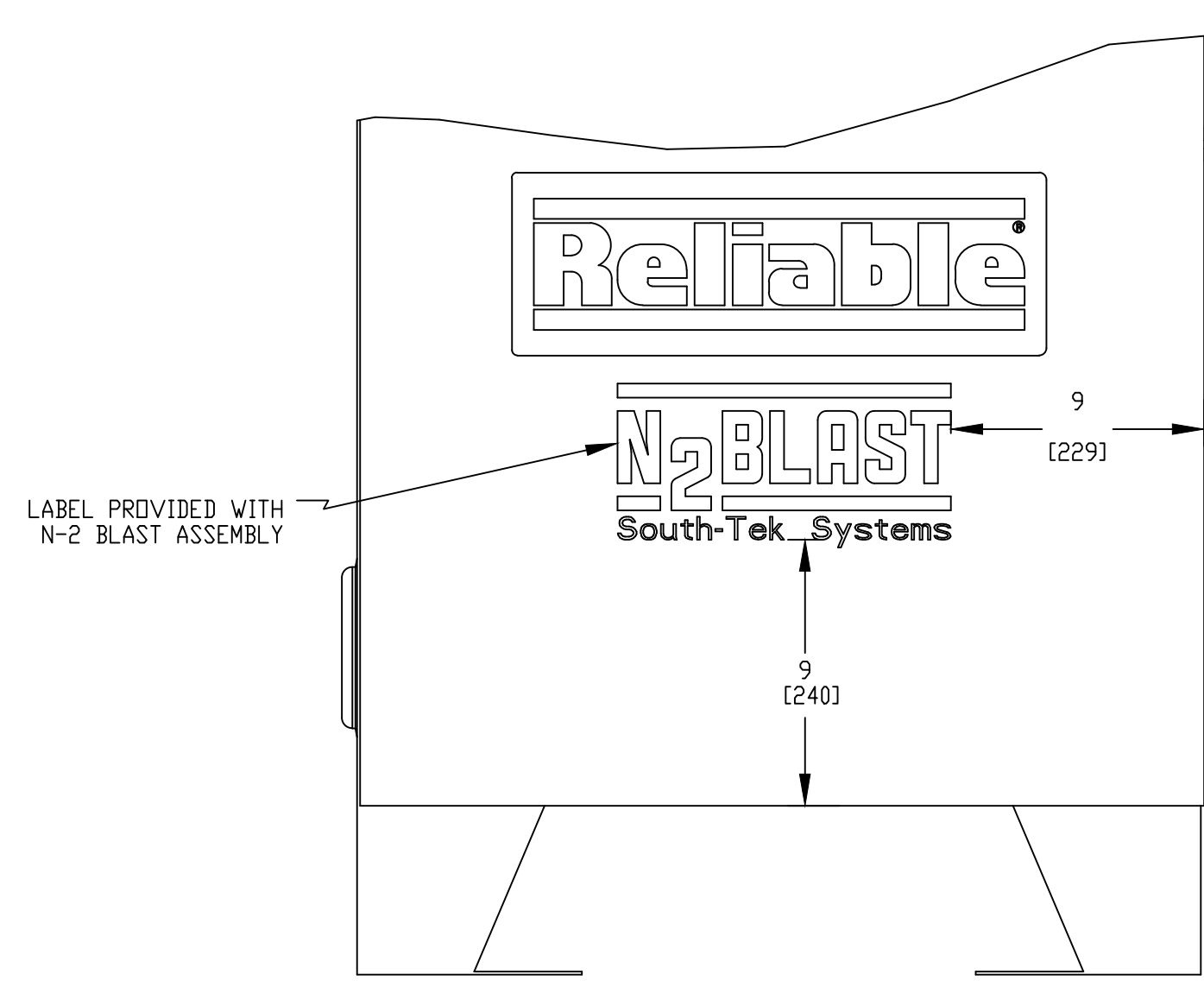
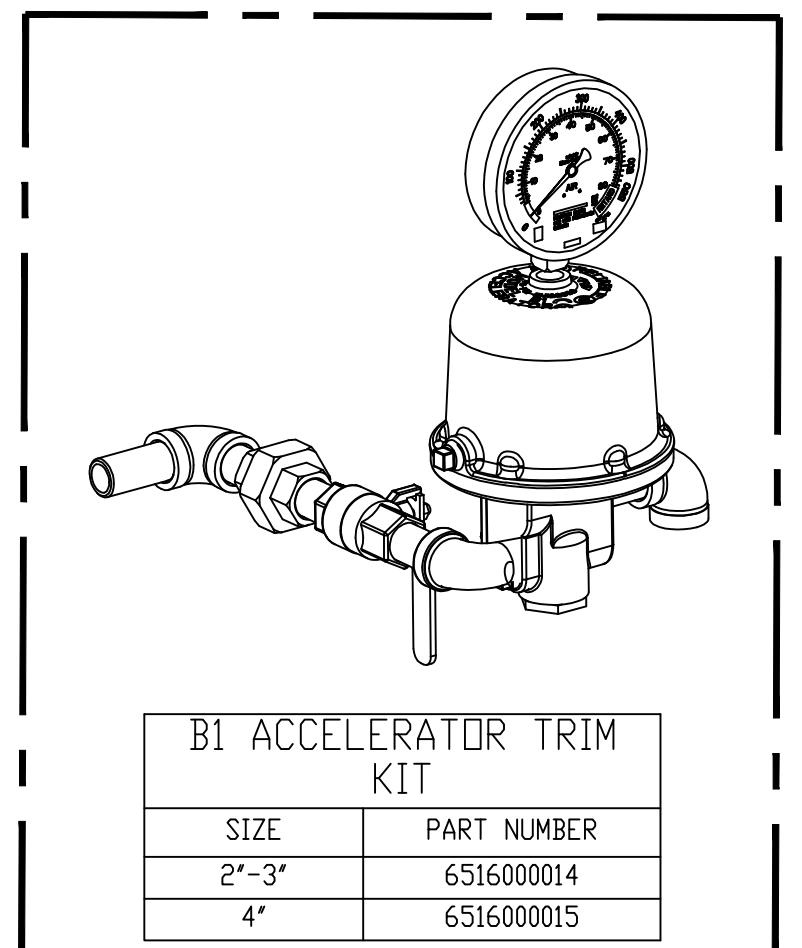


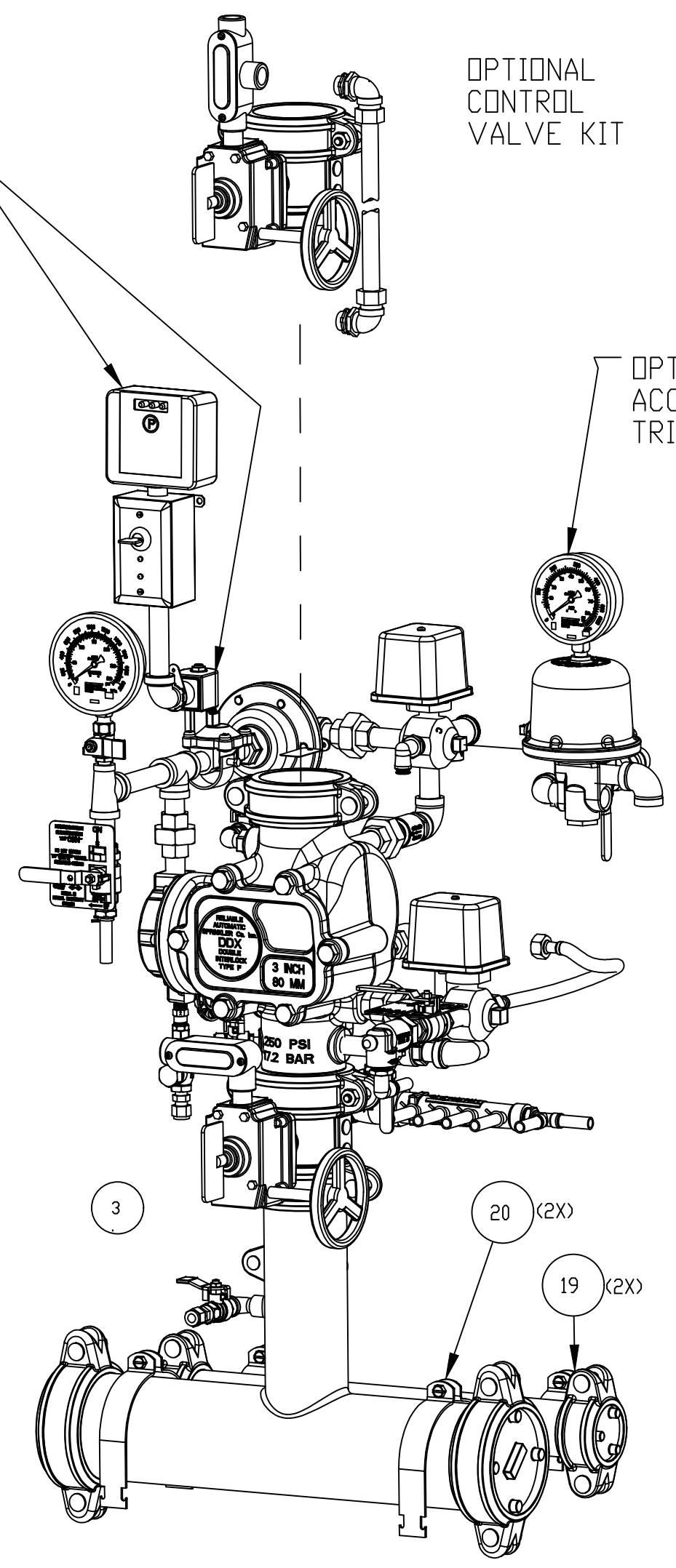
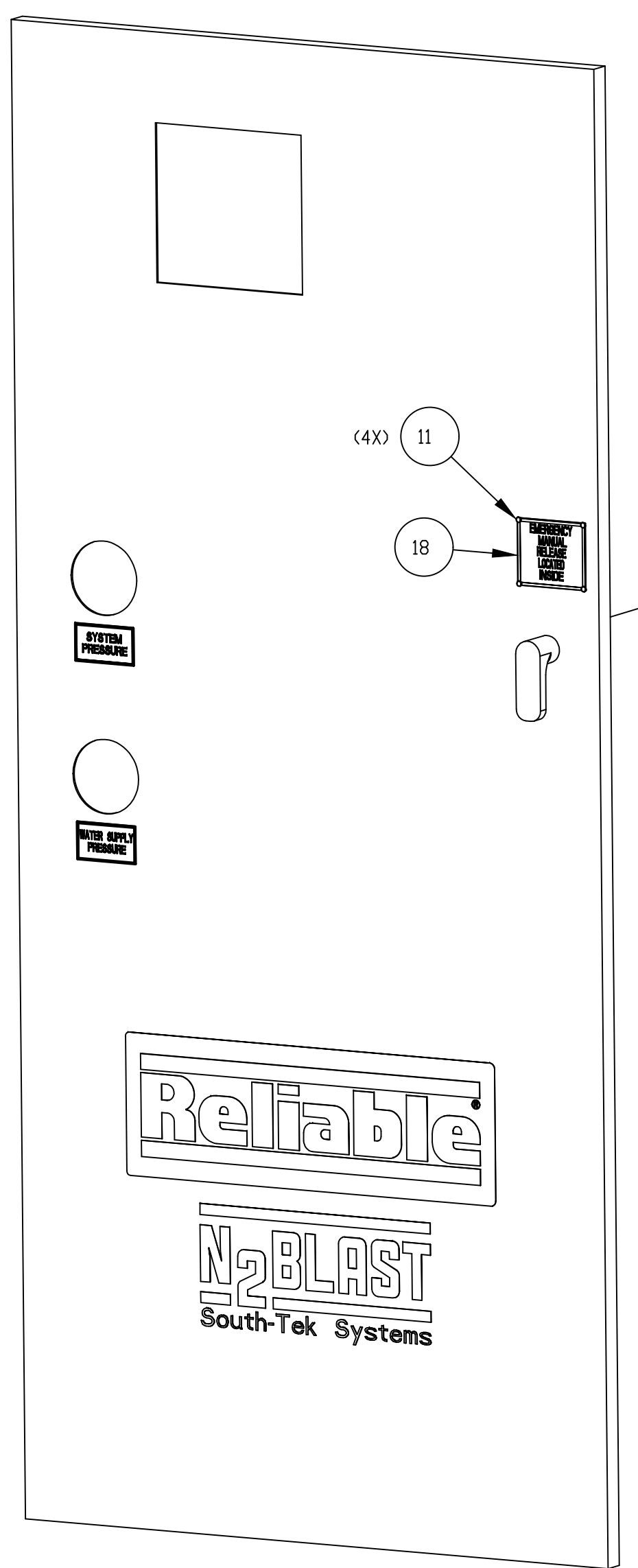
N-2 BLAST ASSEMBLY



OPTION NUMBER	DESCRIPTION	CONTROL VALVE KIT PART NUMBER
1	2" SYSTEM SIDE CONTROL VALVE KIT	650120001
2	2-1/2" SYSTEM SIDE CONTROL VALVE KIT	650120003
3	3" SYSTEM SIDE CONTROL VALVE KIT	650120005
4	4" SYSTEM SIDE CONTROL VALVE KIT	650120006



SIZE	PART NUMBER
2"-3"	651600014
4"	651600015



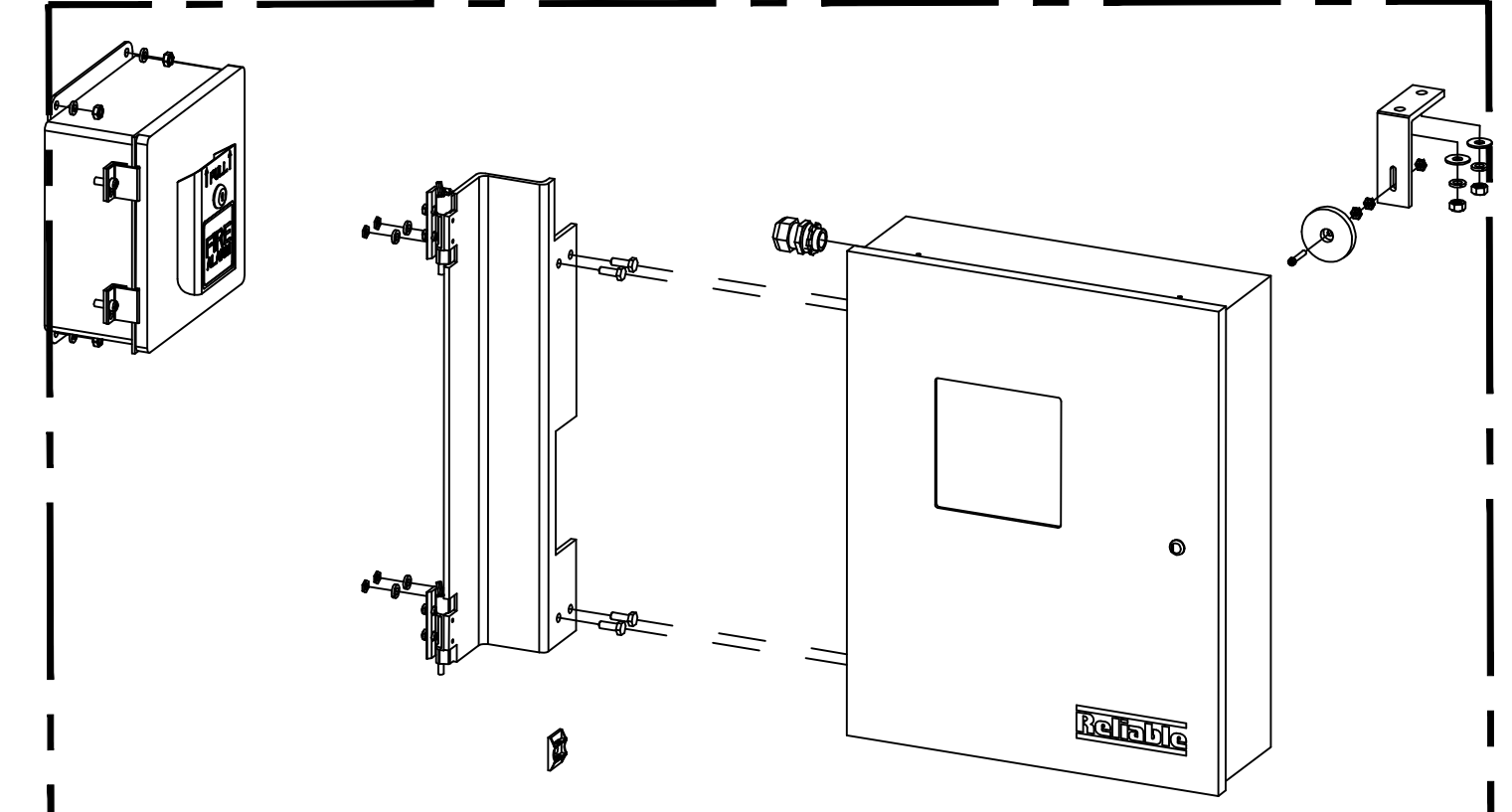
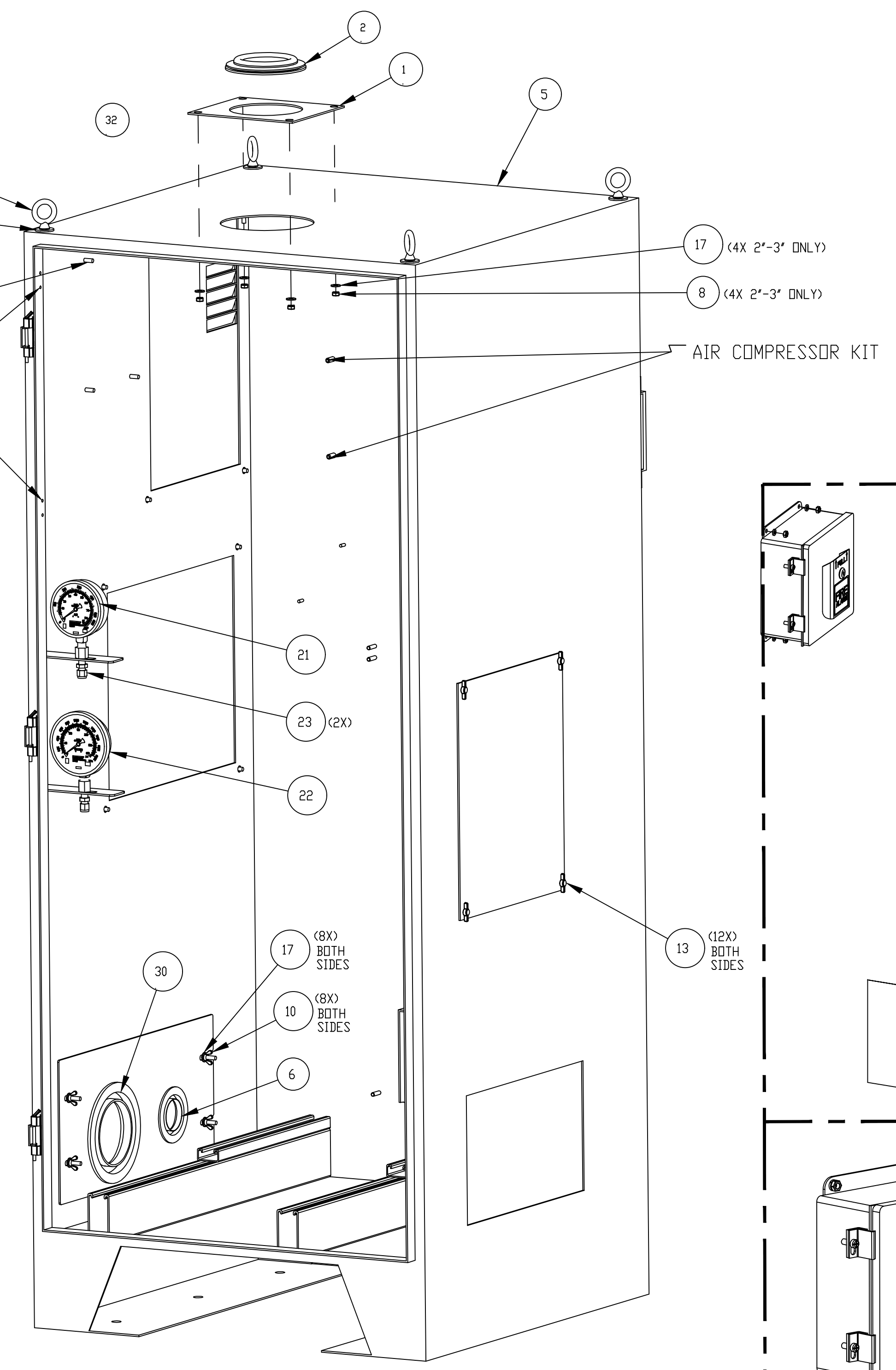
SOLENOID VALVE OR OPTIONAL SOLENOID VALVE W/ COILKEEPER SUPERVISORY SWITCH (SEE SOLENOID VALVE SELECTION TABLE)

OPTIONAL CONTROL VALVE KIT

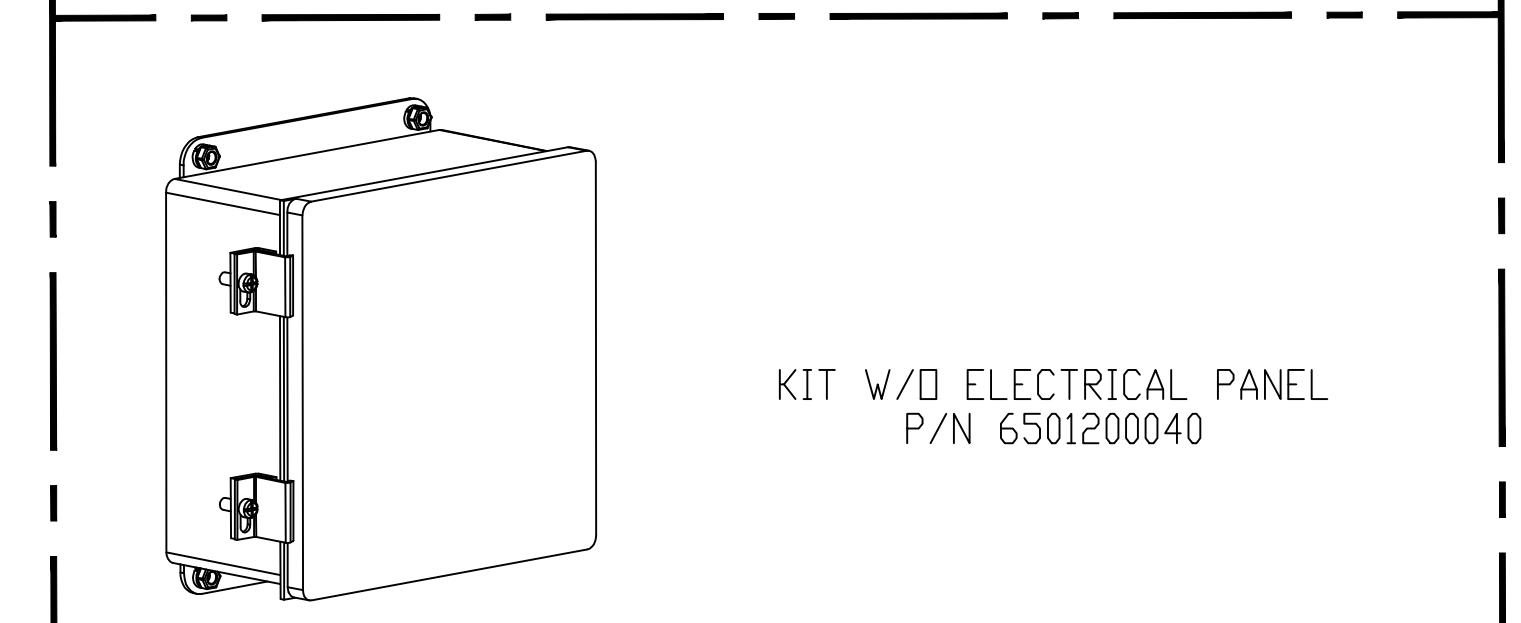
OPTIONAL BI ACCELERATOR TRIM KIT

ELECTRICAL SUBASSEMBLY SYSTEM

OPTIONAL CONTROL PANEL



CONTROL PANEL KIT P/N 661172015



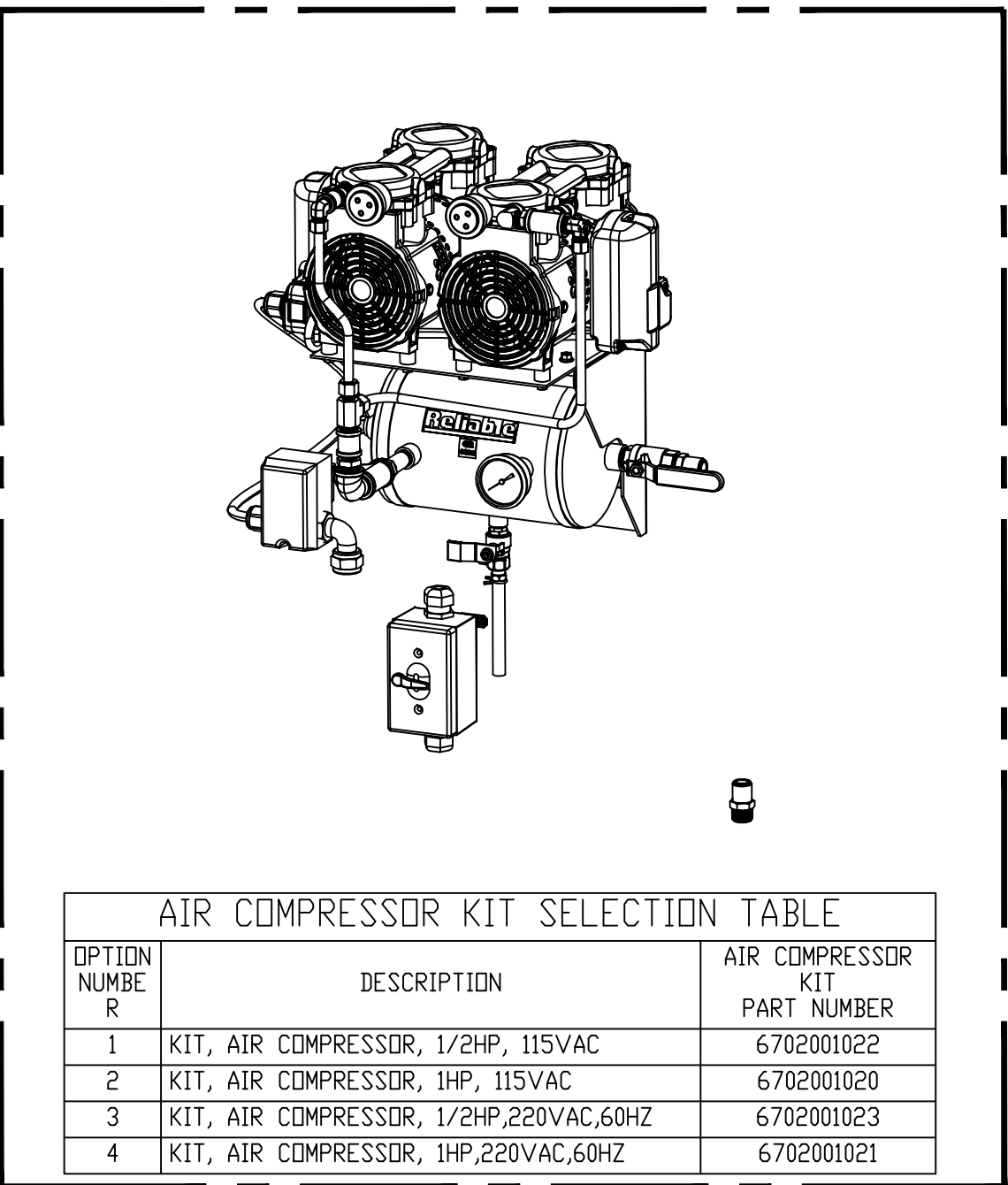
KIT W/D ELECTRICAL PANEL P/N 6501200040

OPTION NUMBER	DESCRIPTION	KIT PART NUMBER
0	KIT, NO CONTROL PANEL	6501200040
1	KIT, CONTROL PANEL	661172015

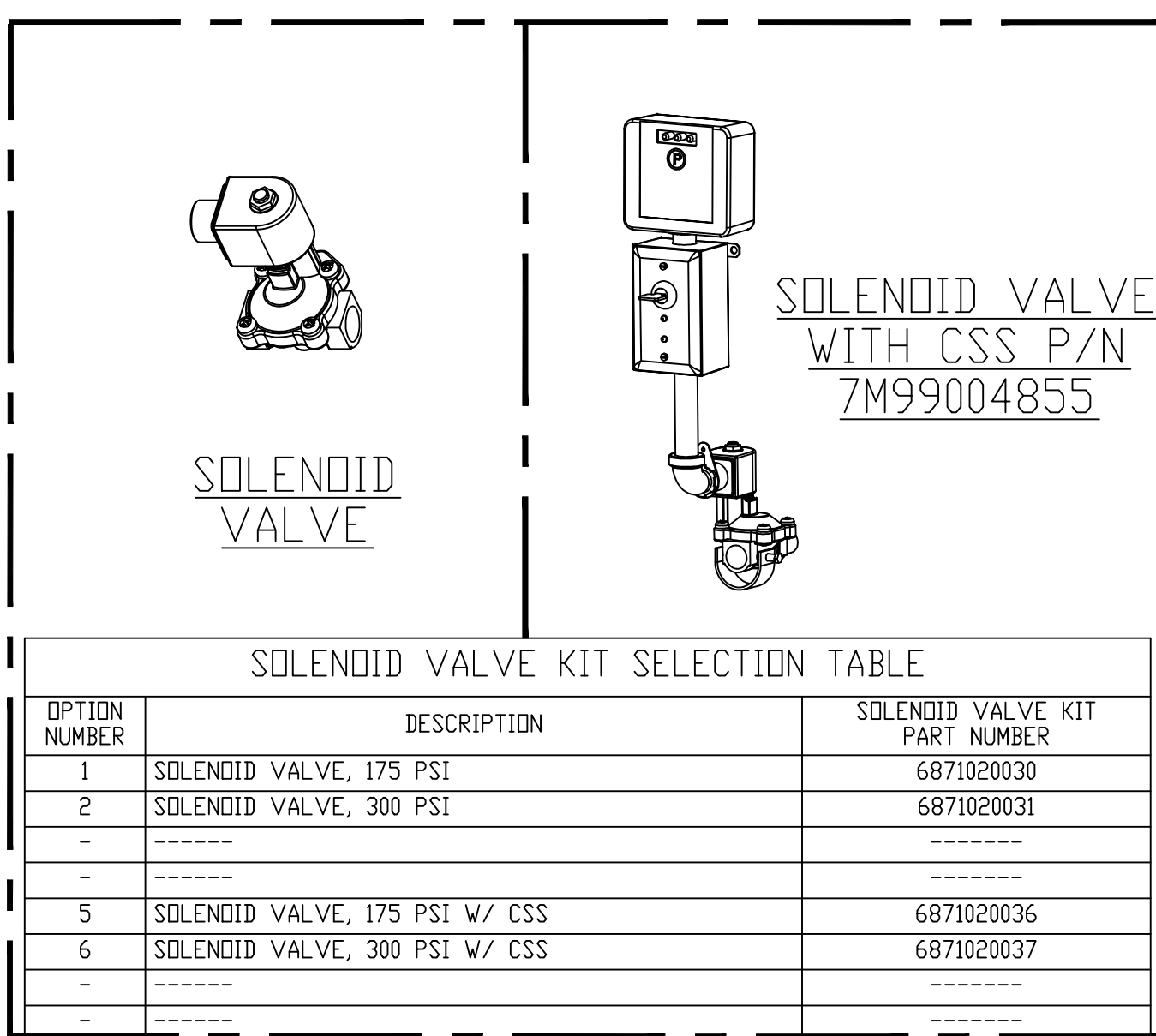
SYSTEM SIZE	3000 PSI INTERLOCK TYPE F (1/2" BSPT IS D)	3000 PSI INTERLOCK TYPE B (1/2" BSPT IS D)	DRYPAK (1/2" BSPT IS D)
2"	7701600	7701700	7701800
2-1/2"	7701620	7701720	7701820
3"	7701630	7701730	7701830
4"	7701640	7701740	7701840

NOTE: PART NUMBERS IN BOLD ARE THE FILED UNDER NUMBERS

ITEM #	DESCRIPTION	QTY.	SYSTEM SIZE (4th DIGIT OF PREPAK P/N)			
			2"	2-1/2"	3"	4"
1	PLATE, TOP ACCESS	1	96906306	96906305	96906304	N/A
2	GROMMET, TOP ACCESS	1	93730003	93730002	93730007	93730004



OPTION NUMBER	DESCRIPTION	AIR COMPRESSOR KIT PART NUMBER
1	KIT, AIR COMPRESSOR, 1/2HP, 115VAC	670200102
2	KIT, AIR COMPRESSOR, 1HP, 115VAC	670200100
3	KIT, AIR COMPRESSOR, 1/2HP, 220VAC, 60HZ	670200103
4	KIT, AIR COMPRESSOR, 1HP, 220VAC, 60HZ	670200101



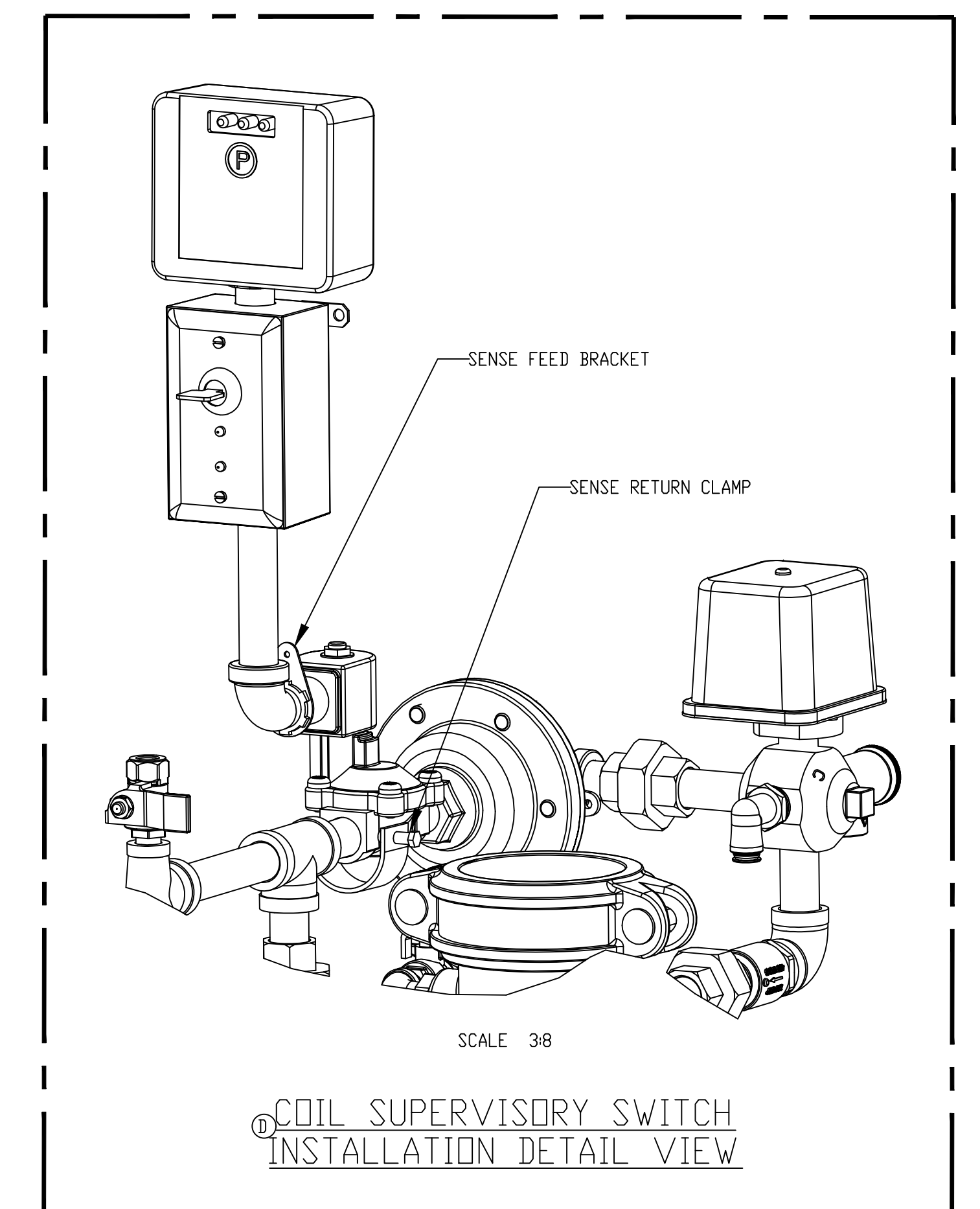
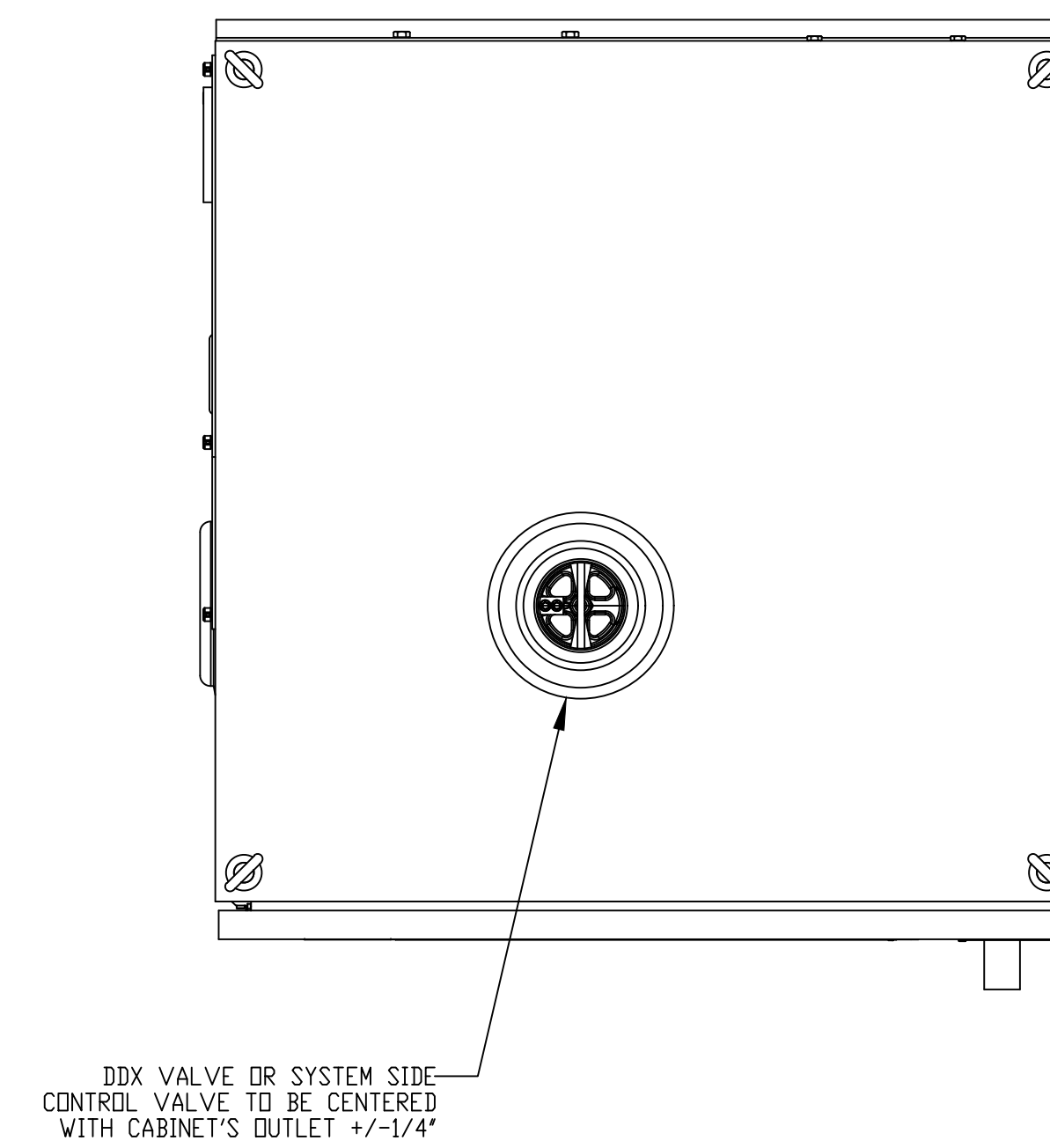
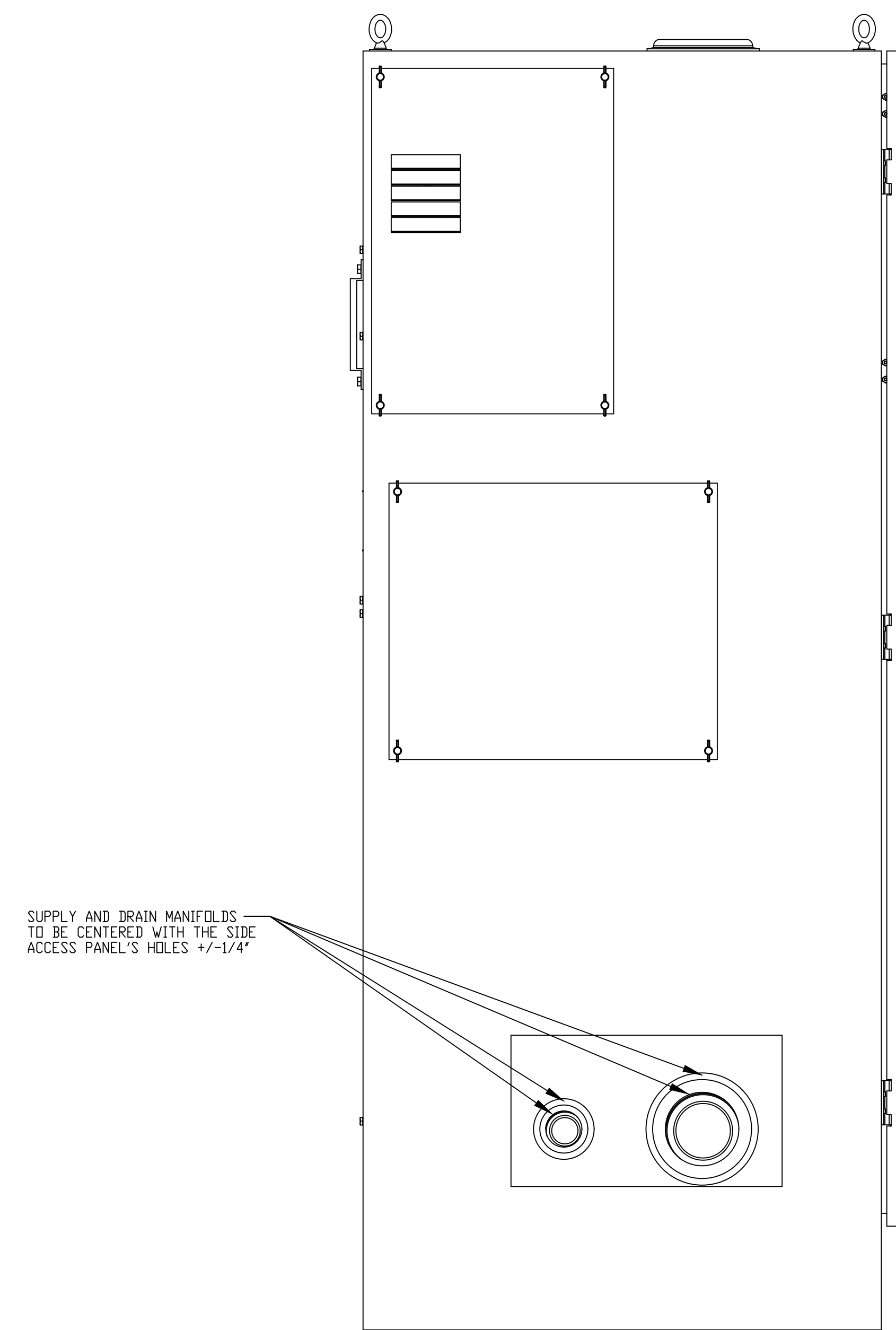
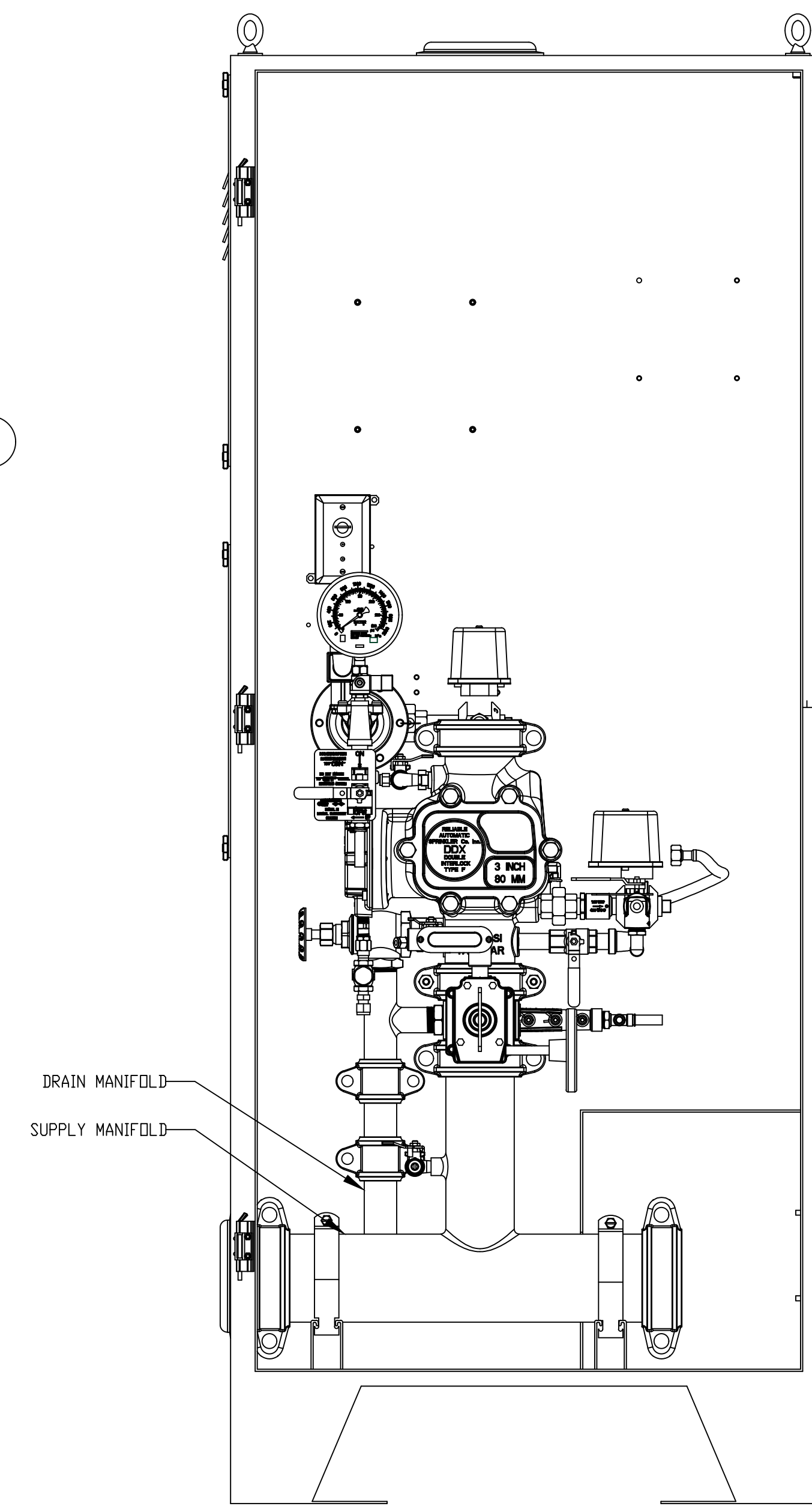
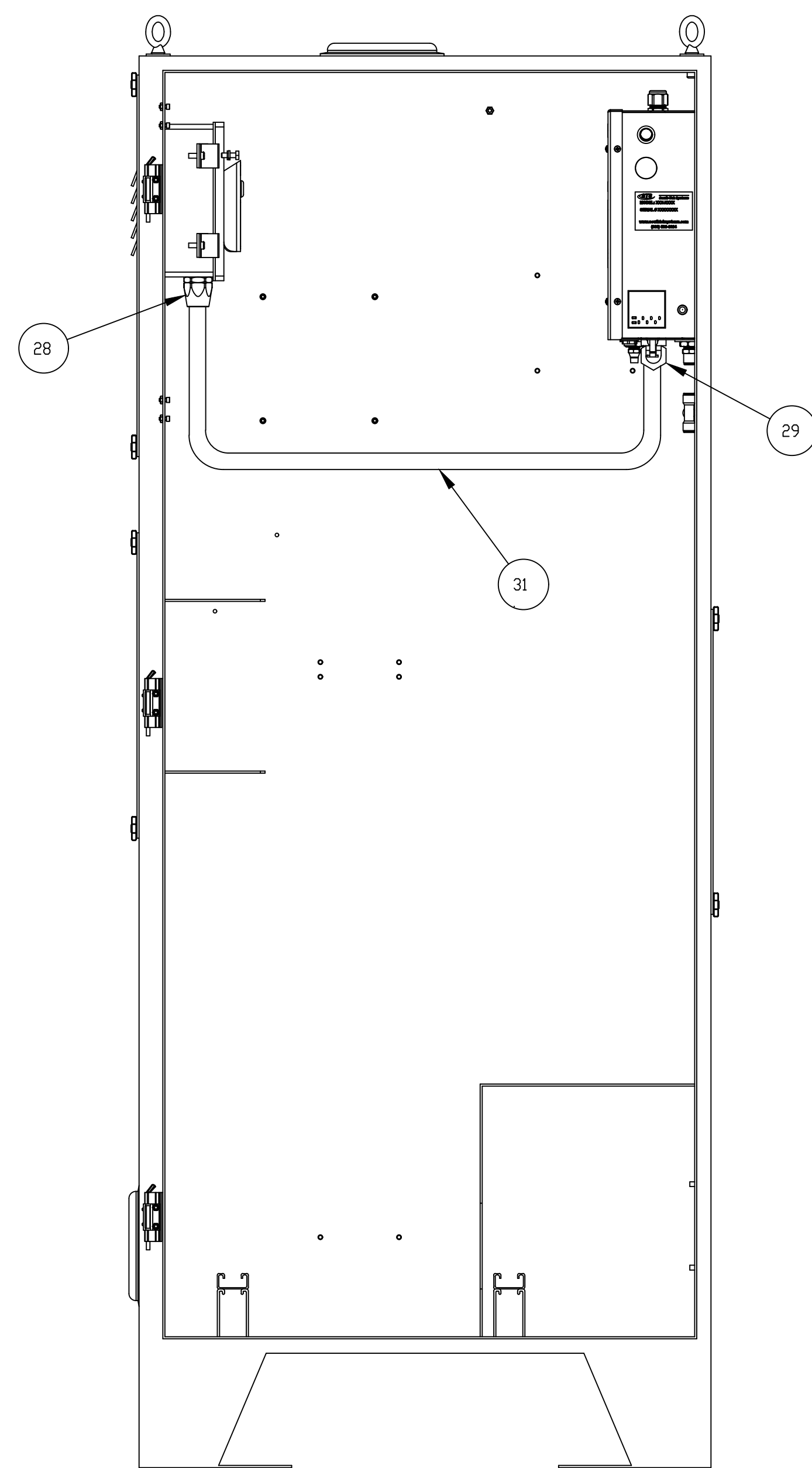
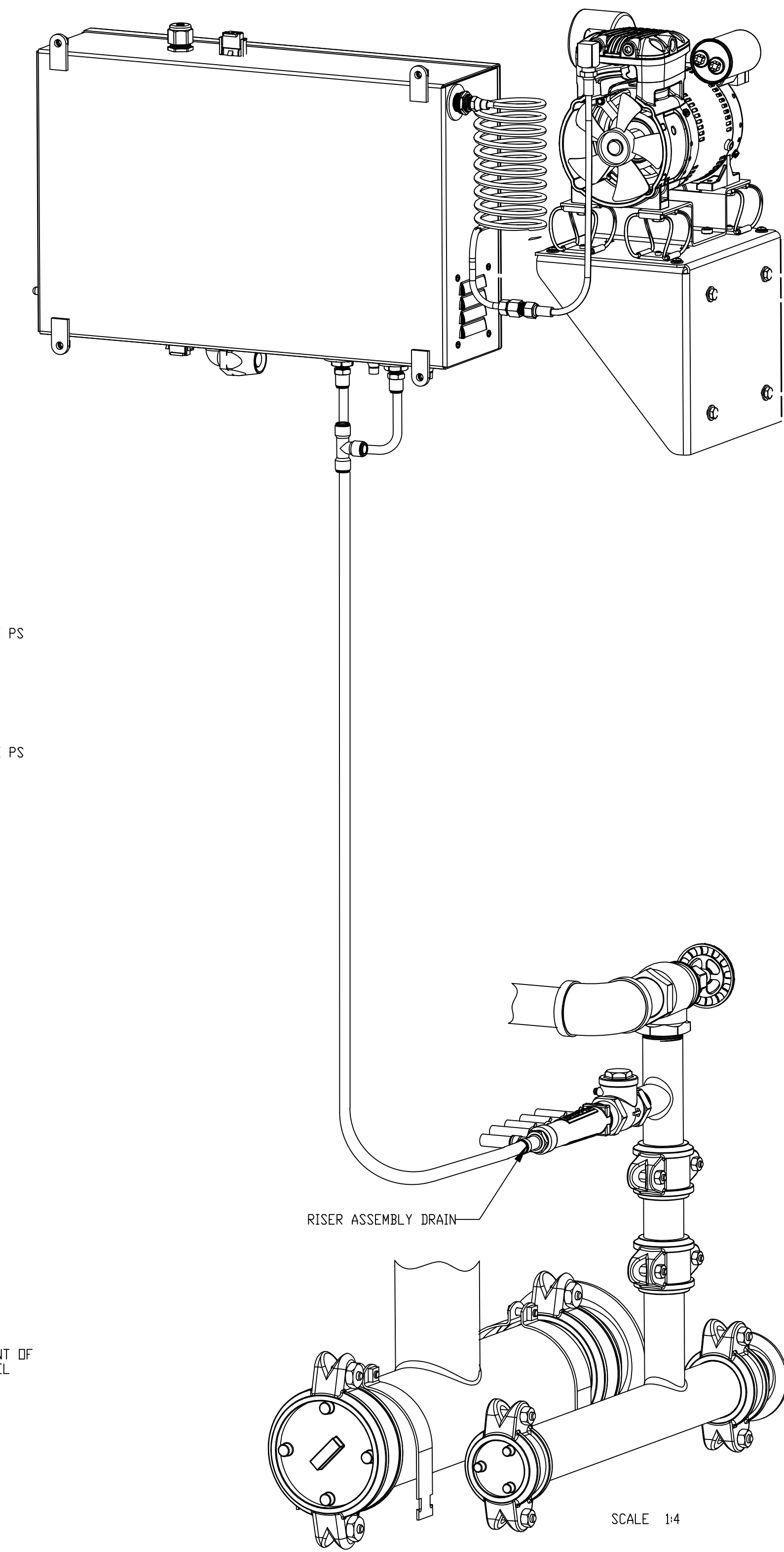
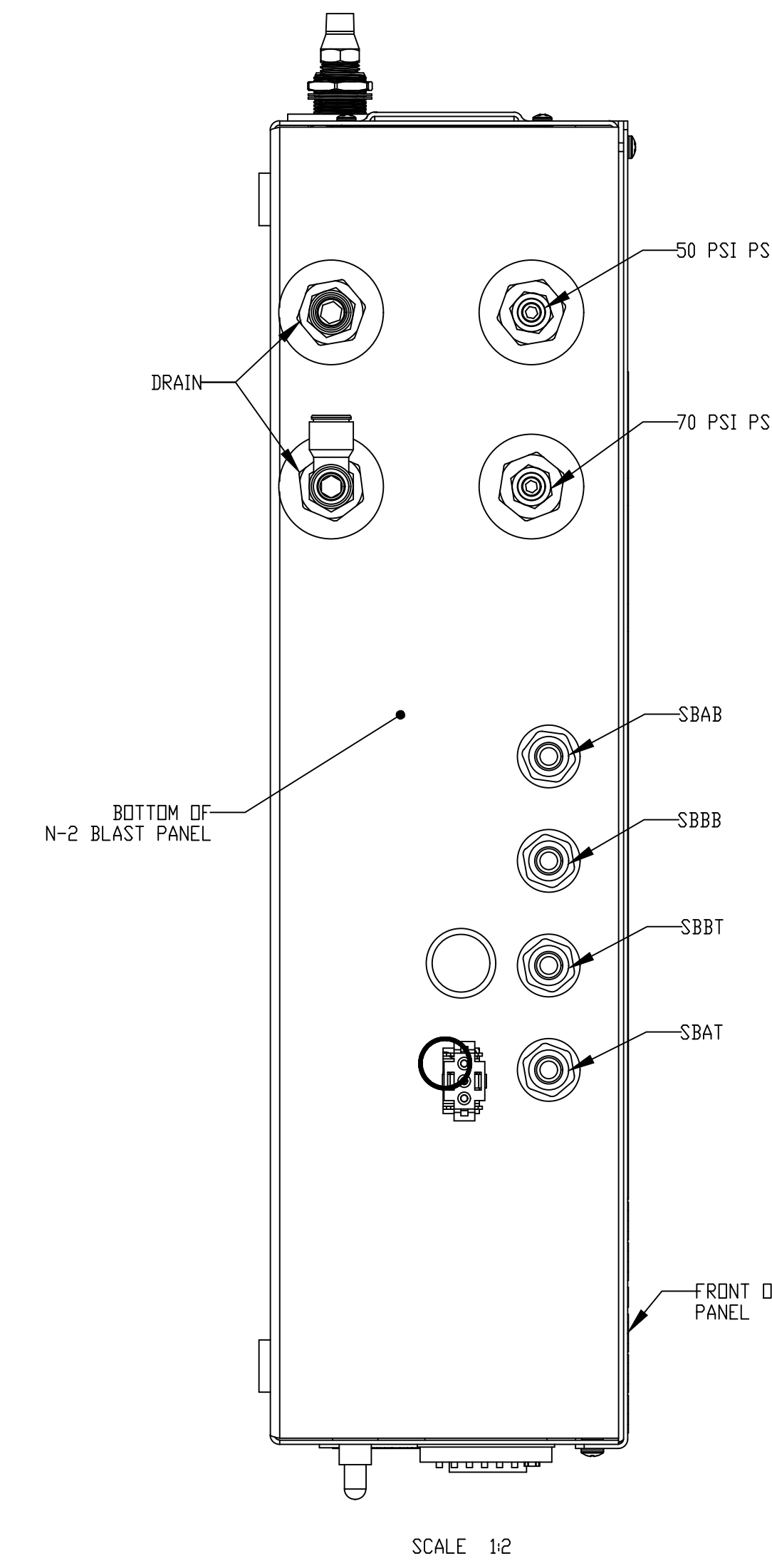
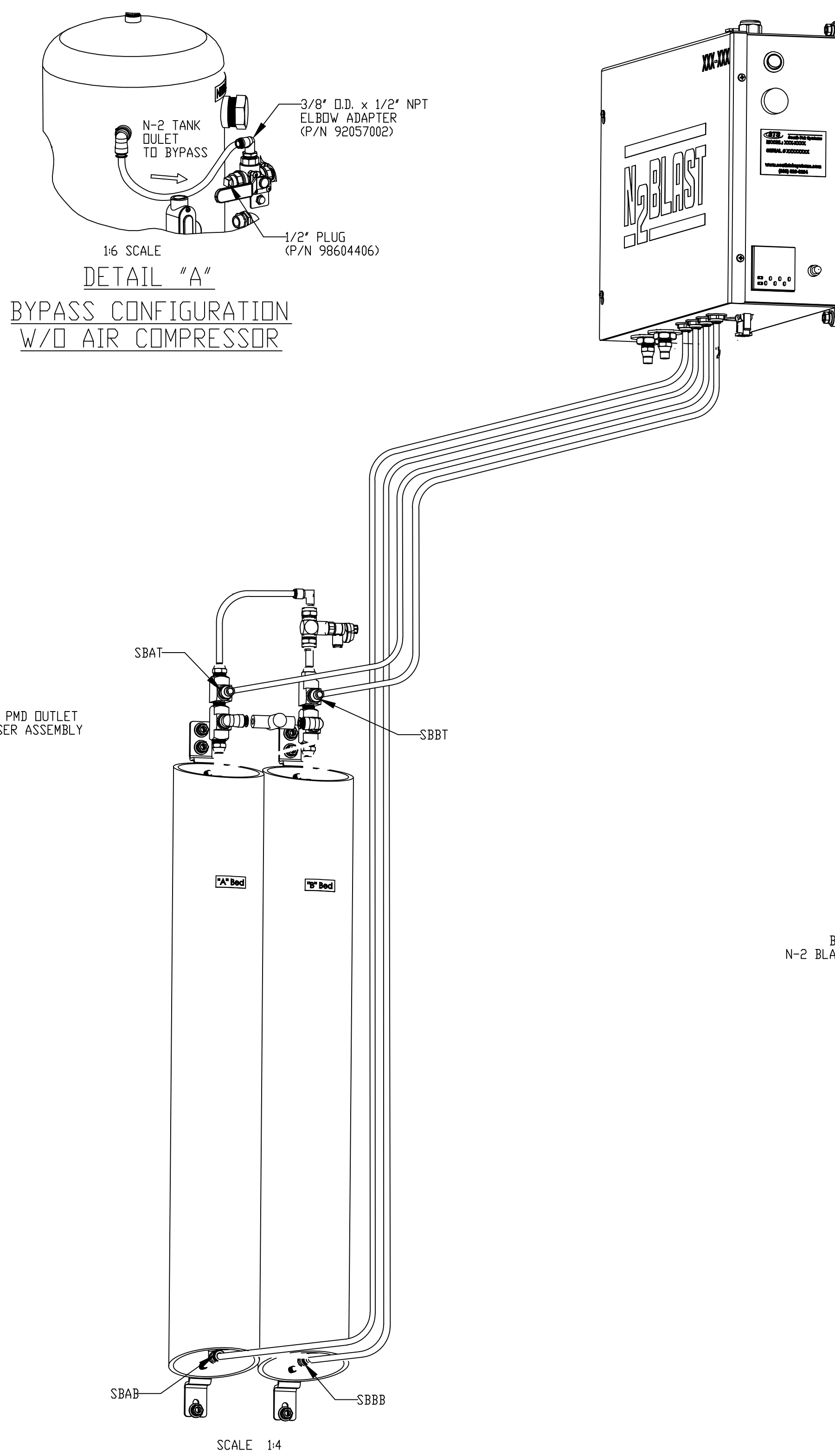
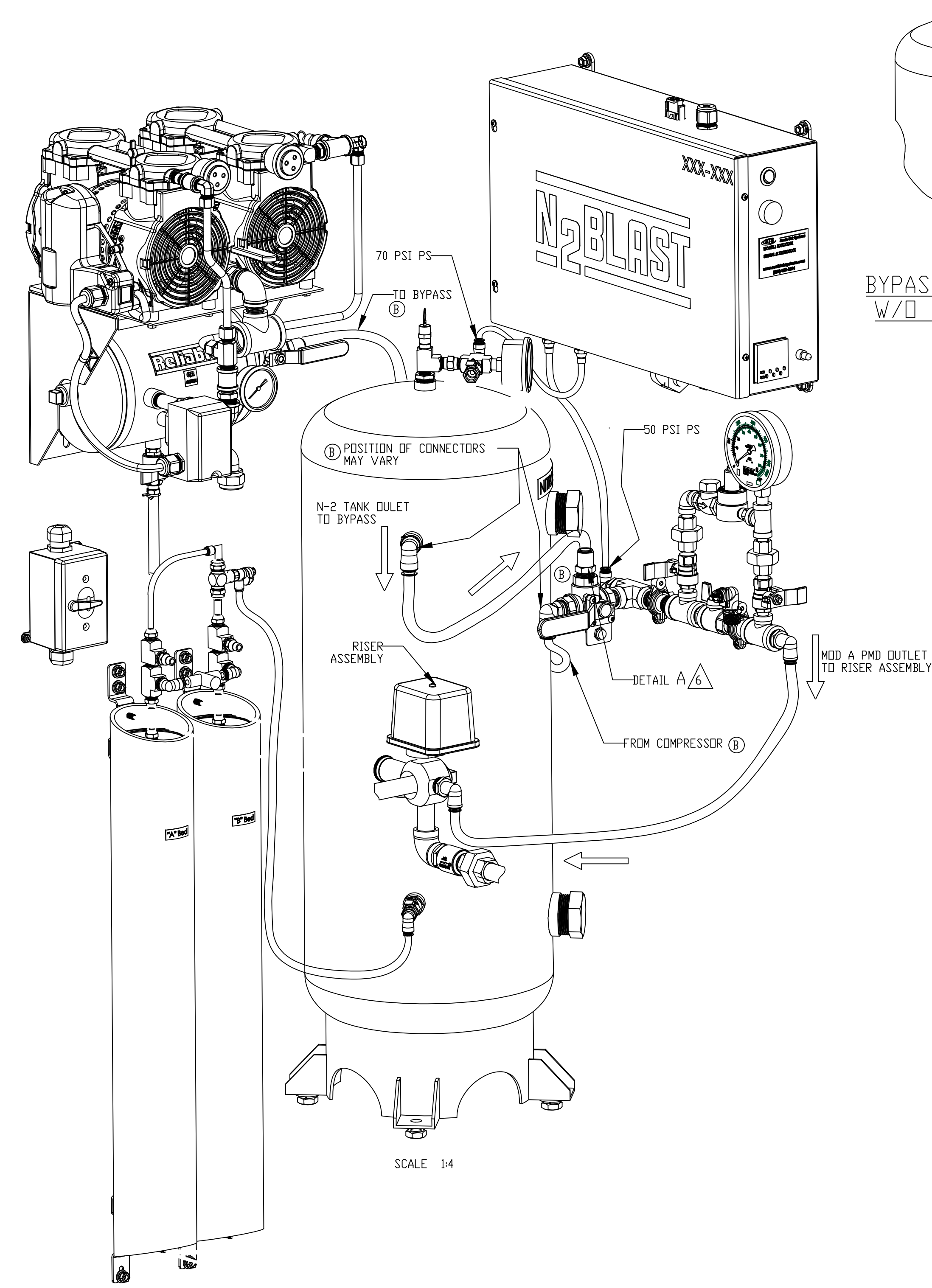
OPTION NUMBER	DESCRIPTION	SOLENOID VALVE KIT PART NUMBER
1	SOLENOID VALVE, 175 PSI	6871020030
2	SOLENOID VALVE, 300 PSI	6871020031
5	SOLENOID VALVE, 175 PSI W/ CSS	6871020036
6	SOLENOID VALVE, 300 PSI W/ CSS	6871020037

ITEM #	DESCRIPTION	QTY.	REMARKS
33	92056802 WIRE CONNECTOR, SCREW-ON	1	NOT SHOWN
32	94392031 LABEL, PREPAK INSPECTION	1	
31	98020027 CONDUIT 3/8" FLEX NONMETALLIC	1	6FT.
30	93730004 GROMMET, SEALING, 4", PVC	1	
29	9802003B CONDUIT CONNECTOR, 3/8, 90 DEGREE FLEX	1	
28	9802003C CONDUIT CONNECTOR, 3/8 STRAIGHT FLEX	1	
27	9802001B SHOULDER EYEBOLT, 1/2-13 X 1-1/2	4	
26	9802000A EXTERIOR 1/2 SPLIT PIPE CLAMP, 3/8 THREAD	2	
25	7700048 KIT,NITROGEN GENERATOR,PREPAK,N2-BLAST	1	
24	630400110 MODEL A PRESSURE MAINTENANCE DEVICE	1	
23	98820000 UNION, BULKHEAD, FEMALE, 1/4	2	
22	98248001 GAUGE, WATER PRESSURE (0-300 PSI)	1	
21	98248000 GAUGE, AIR PRESSURE (0-80 PSI)	2	
20	98020051 PIPE CLAMP, 4, WITH SCREW AND NUT	2	
19	98020050 PIPE CLAMP, 2, WITH SCREW AND NUT	2	
18	98020043 NAMEPLATE, EMER. MANUAL RELEASE	1	
17	96906902 WASHER, PLAIN, 1/4"	22 QTY. 4" ONLY	26
16	96906107 WASHER, SPRING LDK, 1/2"	4	
15	96906103 WASHER, SPRING LDK, 1/4"	14	
14	96906102 WASHER, PLAIN, 1/2"	8	
13	95606125 SCREW, WING, 1/4"-20 X 1/2"	12	
12	95606107 SCREW, HEX CAP, 1/2-13X1-1/2, ZINC PLATED	4	
11	95456603 RIVET, BUTTON HEAD, 1/8"	4	
10	94906112 WING NUT, 1/4"-28	8	
9	94906107 NUT, HEX 1/2"-13	4	
8	94906103 NUT, HEX, 1/4"-20	14 QTY. 4" ONLY	18
7	94390047 LABEL, WIRING SCHEMATIC	1	
6	93730003 GROMMET, SEALING, 2", PVC	1	
5	98030014 ENCLOSURE, BODY	1	
4	98037002 ADAPTER, ELBOW 3/8" TUBE OD X 1/2" NPT	1	
3	SEE R/P/N TABLE	1	
2	SEE P/N TABLE	1	
1	PLATE, TOP ACCESS	1	

THIS DRAWING CONTAINS INFORMATION PROPRIETARY TO THE RELIABLE AUTOMATIC SPRINKLER CORP. IT MAY NOT BE REPRODUCED OR ANY INFORMATION HEREON DISCLOSED TO OTHERS WITHOUT THE SPECIFIC WRITTEN PERMISSION OF RELIABLE.

ITEM #	PART NO.	DESCRIPTION	REMARKS	QTY.
BILL OF MATERIALS				
DO NOT SCALE DRAWING				
REMOVE BURRS, BREAK SHARP EDGES				
TOLERANCE UNLESS OTHERWISE SPECIFIED				
ANGLE ± 1/2°				
FINISH				
MATERIAL FINISH DEC. XX ± 0.0				
DIMENSIONS ± 0.003				
TOLERANCE - PARALLELISM 0.0005				
THE RELIABLE AUTOMATIC SPRINKLER CO., INC. LIBERTY, S.C.				
PART NO. 655011180		DWG. SIZE: E		
PRODUCT: MODEL DIX PREPAK N2-BLAST				
FILE NO. 655011180	ENG. JJ	DRW. BY: MK	C/K/D:	
SCALE: 1/4"	DATE: 1/7/19	SHEET 1 of 2		

N-2 BLAST PNEUMATIC CONNECTIONS



MTL N/A	THE RELIABLE AUTOMATIC SPRINKLER CO., INC. LIBERTY, S.C.		
FINISH	PART NO 655011180	DWG SIZE: E	
DO NOT SCALE DRAWING REMOVE BURRS, BREAK SHARP EDGES TOLERANCE UNLESS OTHERWISE SPECIFIED:	PART: TOP ASSEMBLY		
ANGLE ± 1/2°	FRAC ± 1/32 (0.75)	PRODUCT: MODEL DIX PREPAK N2-BLAST	
CONC. ± 0.005	DEC. ± 0.001 (0.25)	FILE NO 655011180	ENG JJ
SQUARENESS - PARALLELISM	DEC. ± 0.005 (0.125)	DATE: 1/7/19	DRW BY: MK
	0.0005	SCALE: 16	C/K'D
			SHEET 2 of 2