

# Reliable

## EX VALVE TRIMS PART NUMBER CONFIGURATION

SELECTIONS IN **BOLD** ARE STANDARD OPTIONS

### EX VALVE SIZE AND ENDS CONNECTION TYPE

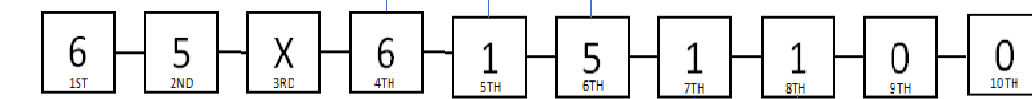
- 0 = NONE (NO VALVE, LOOSE OR SEGMENTED TRIM ONLY)<sup>1</sup>
- 1 = 2 1/2" GE X GE
- 2 = 2" GE X GE
- 3 = 3" GE X GE
- 4 = 4" GE X GE
- 5 = 76MM GE X GE (NO CONTROL VALVE AVAILABLE)
- 6 = 6" GE X GE
- 7 = 165MM GE X GE (NO CONTROL VALVE AVAILABLE)
- 8 = 8" GE X GE
- A = 4" FLANGE<sup>2,7</sup> INLET X GE OUTLET
- B = 4" FLANGE<sup>2,7</sup> INLET X FLANGE<sup>2,7</sup> OUTLET
- C = 4" PN16 FLANGE<sup>2,7</sup> INLET X GE OUTLET
- D = 4" PN16 FLANGE<sup>2,7</sup> INLET X PN16 FLANGE<sup>2,7</sup> OUTLET
- E = 6" FLANGE<sup>2,7</sup> INLET X GE OUTLET
- F = 6" FLANGE<sup>2,7</sup> INLET X FLANGE<sup>2,7</sup> OUTLET
- G = 6" PN16 FLANGE<sup>2,7</sup> INLET X GE OUTLET
- H = 6" PN16 FLANGE<sup>2,7</sup> INLET X PN16 FLANGE<sup>2,7</sup> OUTLET
- J = 165 MM FLANGE<sup>2,7</sup> INLET X GE OUTLET
- J = 165 MM PN16 FLANGE<sup>2,7</sup> INLET X GE OUTLET
- K = 8" FLANGE<sup>2,7</sup> INLET X FLANGE<sup>2,7</sup> OUTLET
- L = 8" PN16 FLANGE<sup>2,7</sup> INLET X PN16 FLANGE<sup>2,7</sup> OUTLET

### VALVE COLOR & TRIM SOURCING

- 0 = NO VALVE (LOOSE OR SEGMENTED TRIM ONLY)<sup>1</sup>
- 1 = BLACK PAINTED VALVE
- 2 = RED PAINTED VALVE
- 3 = RED PAINTED VALVE WITH U.S. SOURCED TRIM
- 4 = CCCF APPROVED VALVE<sup>4</sup>
- 5 = BLACK PAINTED VALVE WITH U.S. SOURCED TRIM

### ASSEMBLY CONFIGURATION, INSTALLED CONTROL VALVE & SPOOL PIECE

- 0 = LOOSE TRIM FOR 2"-3" VALVES<sup>1,6,8</sup>
- 1 = LOOSE TRIM FOR 4"-8" VALVES<sup>1,6,8</sup>
- 2 = SEGMENTALLY ASSEMBLED FOR 2"-3" VALVES<sup>1,6,8</sup>
- 3 = SEGMENTALLY ASSEMBLED FOR 4"-8" VALVES<sup>1,6,8</sup>
- 4 = FULLY ASSEMBLED TO EX VALVE W/O CONTROL VALVE
- 5 = FULLY ASSEMBLED TO EX VALVE WITH CONTROL VALVE, W/O SPOOLPIECE<sup>7</sup>
- 6 = FULLY ASSEMBLED TO EX VALVE WITH CONTROL VALVE & SPOOLPIECE<sup>7</sup>



### PRESSURE SWITCH<sup>5</sup>

- 0 = NONE
- 1 = POTTER FM, cULus APPROVED
- 2 = SYSTEM SENSOR FM/ULC APPROVED
- 3 = SYSTEM SENSOR FM/UL APPROVED

### B1 ACCELERATOR

- 0 = NONE
- 1 = WITH B1 ACCELERATOR

### NOTES:

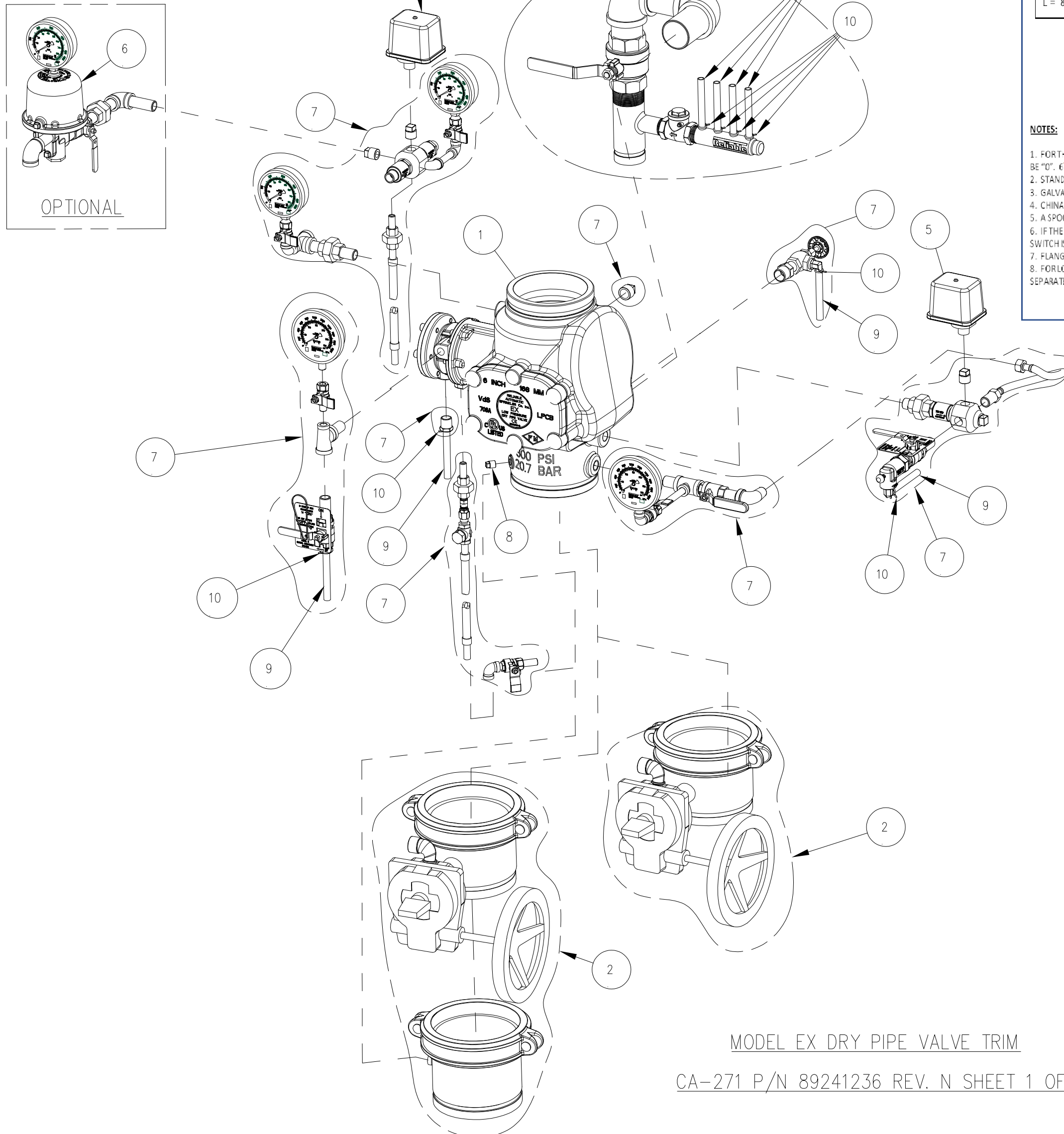
1. FOR THE 4<sup>TH</sup> DIGIT, SELECT "0" FOR LOOSE OR SEGMENTED TRIMS. 5<sup>TH</sup> DIGIT MUST ALSO BE "0". 6<sup>TH</sup> DIGIT MUST BE "0" OR "1".
2. STANDARD FLANGE TYPE IS CLASS 150 PER ASME B16.5. PN16 FLANGE IS PER ISO 7025-2.
3. GALVANIZED PIPE FITTINGS ARE THE DEFAULT OFFERING.
4. CHINA COMPULSORY CERTIFICATE FOR FIRE PRODUCTS.
5. A SPOOLPIECE IS ONLY AVAILABLE WITH A CONTROL VALVE.
6. IF THE LOOSE CONFIGURATION (6<sup>TH</sup> DIGIT = 0 OR 1) IS CHOSEN, THEN NO PRESSURE SWITCH IS INCLUDED WITH THE TRIM. THEREFORE THE 7<sup>TH</sup> DIGIT MUST BE "0".
7. FLANGED VALVES ARE NOT AVAILABLE WITH A CONTROL VALVE.
8. FOR LOOSE AND SEGMENTED ASSEMBLED TRIM CONFIGURATIONS, THE EX VALVE IS SOLD SEPARATELY (SEE BULLETIN 359 FOR EX VALVE'S PART NUMBER).

### PART NUMBER TABLE

SIZE	VALVE ASSEMBLY BLACK (ITEM 1)	VALVE ASSEMBLY RED (ITEM 1)	CONTROL VALVE S/A (ITEM 2)	CONTROL VALVE W/ INLET SPOOL S/A (ITEM 2)	TRIM, DRAIN (ITEM 3)
2" (50MM) GR/GR	6101021010	6101021015	77000301	77000252	77031006
2-1/2" (65MM) GR/GR	6101025010	6101025015	77000302	77000251	
3" (80MM) GR/GR	6101031010	6101031015	77000303	77000253	
76MM GR/GR	N/A	6101051015	N/A	N/A	77031007
4" (100MM) GR/GR	6101041010	6101041015	77000304	77000254	
4" (100MM) FL/GR CLASS 150	6101041020	6101041025	N/A	N/A	
4" (100MM) FL/GR PN16	N/A	6101041045			
4" (100MM) FL/FL CLASS 150	6101041030	6101041035	N/A	N/A	
4" (100MM) FL/FL PN16	N/A	6101041055			
6" (168MM) GR/GR	6101061010	6101061015			
6" (168MM) FL/GR CLASS 150	6101061020	6101061025	N/A	N/A	
6" (168MM) FL/GR PN16	N/A	6101061045			
6" (168MM) FL/FL CLASS 150	6101061030	6101061035			
6" (168MM) FL/FL PN16	N/A	6101061055			
165MM GR/GR	N/A	6101065015	N/A	N/A	
165MM FL/GR CLASS 150		6101065025			
165MM FL/GR PN16		6101065045			
8" (200MM) GR/GR	6101081010	6101081015	77000308	77000258	77031007
8" (200MM) FL/FL CLASS 150	6101081030	6101081035	N/A	N/A	
8" (200MM) FL/FL PN16	N/A	6101081055			

11	89097903	THREAD SEALANT (NOT SHOWN)		A/R
10	95306255	HOSE CLAMP		8
9	96686756	HOSE, PVC, CLEAR, 1/2" O.D. X 6 FT		1
8	98614403	PIPE, PLUG, IRON, SQUARE HEAD, 1/4	W/ SPOOL ONLY	1
7	77031005	SUBASSEMBLY, BASE TRIM		1
6	6516000013	KIT, ACCELERATOR TRIM (OPTIONAL)		1
5	6990006382	SWITCH, PRESSURE, POTTER, PS10-2, ALARM		1
	6999992360	SWITCH, PRESSURE, SYSTEM SENSOR, EPSA10-2, ALARM		
	6999991212	SWITCH, PRESSURE, SYSTEM SENSOR, EPS10-2, ALARM		
4	6990019313	SWITCH, PRESSURE, POTTER, PS25-2, SYSTEM		1
	6999992361	SWITCH, PRESSURE, SYSTEM SENSOR, EPSA40-2, SYSTEM		
	6999991340	SWITCH, PRESSURE, SYSTEM SENSOR, EPS40-2, SYSTEM		
3	SEE PART NUMBER TABLE	TRIM, SUBASSEMBLY, DRAIN		1
2		SUBASSEMBLY, CONTROL VALVE		1
1		ASSEMBLY, VALVE, EX		1
ITEM NO.	PART NO.	DESCRIPTION	REMARKS	QTY.

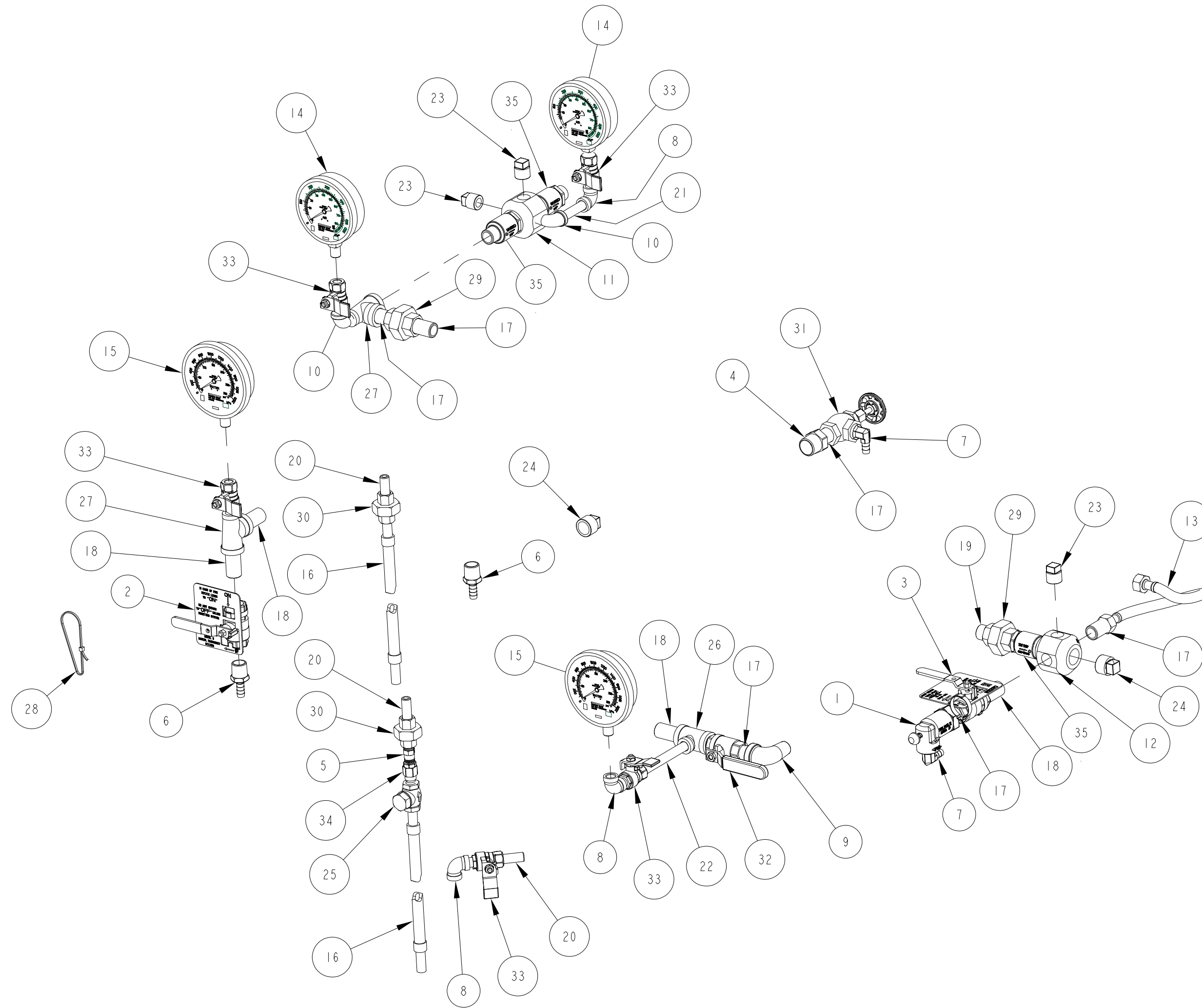
### BILL OF MATERIALS



MODEL EX DRY PIPE VALVE TRIM

CA-271 P/N 89241236 REV. N SHEET 1 OF 3

# Reliable



MODEL EX DRY PIPE VALVE TRIM

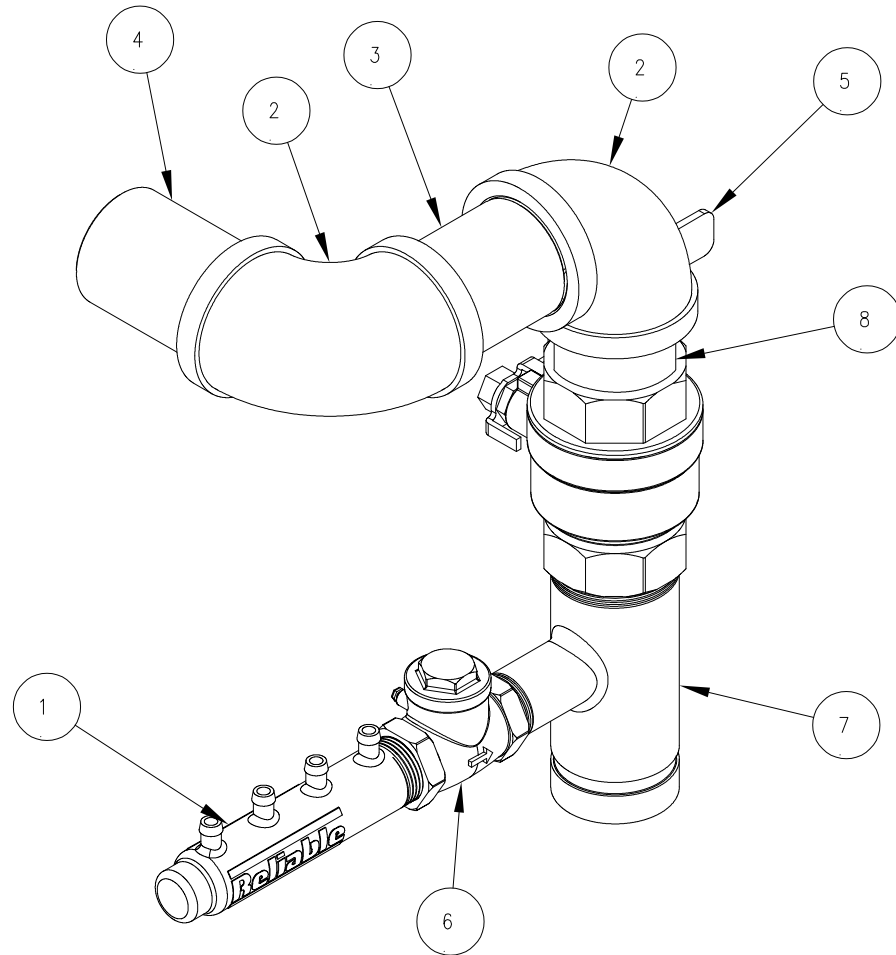
CA-271 P/N 89241236 REV. M SHEET 2 OF 3

35	96816906	VALVE,CHECK,MALE 1/2,MALE 1/2		3
34	98840188	VALVE, CHECK, 1/4" NPTM x 1/4" NPTF		1
33	98840237	VALVE, BALL, 1/4" NPTF x 1/4" NPTM		5
32	9884011A	VALVE, BALL, 1/2 NPTF X 1/2 NPTM		1
31	98840103	VALVE, ANGLE, 1/2"		1
30	98815201	UNION, 1/4, IRON, G.J., GALV.		2
29	98815200	UNION, 1/2, IRON, G.J., GALV.		2
28	89141112	TIE, RETAINING		9
27	98761649	TEE,1/2X1/4X1/2,GALVANIZED		2
26	96606607	TEE,1/2X1/2X1/4,GALVANIZED		1
25	98727607	STRAINER, 1/4"		1
24	98614401	PIPE, PLUG, IRON, SQUARE HEAD, 3/4		2
23	98604406	PIPE, PLUG, IRON, SQUARE HEAD, 1/2		3
22	98543224	NIPPLE,1/4X4-1/2,GALVANIZED STEEL		1
21	98543225	NIPPLE,1/4X2-1/2,GALVANIZED STEEL		1
20	98543226	NIPPLE,1/4X1-1/2,GALVANIZED STEEL		3
19	98543212	NIPPLE,1/2XCLOSE,GALVANIZED STEEL		1
18	98543209	NIPPLE,1/2X2,GALVANIZED STEEL		4
17	98543223	NIPPLE,1/2X1-1/2,GALVANIZED STEEL		6
16	96920944	HOSE, FLEXIBLE, STAINLESS STEEL, 1/4 NPT X 18 LONG		2
15	98248001	GAUGE, WATER PRESSURE (0-300 PSI)		2
14	98248000	GAUGE, AIR PRESSURE (0-80 PSI)		2
13	96920912	FLEX LINE, 12		1
12	98751005	FITTING, MULTIPORT, 3/4x1/2x1/2x1/2x1/2		1
11	98751008	FITTING, MULTIPORT, 1/2x1/2x1/2x1/2x1/4x1/4		1
10	98174408	ELBOW, STREET, 1/4", GALV.		2
9	98174400	ELBOW, STREET, 1/2", GALV.		1
8	98174404	ELBOW, 1/4", MALL IRON, GALV.		3
7	92056704	CONNECTOR, ELBOW, 3/8" ID TUBE x 1/2" NPT		2
6	92056810	CONNECTOR, 3/8" ID TUBE x 1/2" NPT		2
5	98840147	CHECK VALVE, 1/4, NPT, POPPET TYPE INLINE		1
4	98048022	BUSHING, REDUCER, 3/4X1/2, GALVANIZED		1
3	78653004	ASSEMBLY, VALVE CAUTION STATION, 1/2"		1
2	78653000	ASSEMBLY, MANUAL EMERGENCY STATION		1
1	78653800	ASSEMBLY, BALL DRIP, 1/2"		1

ITEM NO.	PART NO.	DESCRIPTION	REMARKS	QTY.
----------	----------	-------------	---------	------

BILL OF MATERIALS

# Reliable



77031007

## BILL OF MATERIALS

ITEM NO.	PART NO.	DESCRIPTION	REMARKS	QTY.
1	91004294	MANIFOLD, DRAIN, BARBED		1
2	98174405	ELL, 2", MALL IRON, GALV.		2
3	98543208	NIPPLE, STEEL, GALV., 2" X 3"		1
4	98543262	NIPPLE, STEEL, GALV., 2" X 3-1/2"		1
5	98840136	VALVE, BALL, 2"		1
6	98840145	SWING CHECK VALVE, 1" NPT		1
7	9101423B	MANIFOLD, 2 X 2 X 1, GRV/THD/THD		1
8	98543238	NIPPLE, 2 X CLOSE, GALVANIZED, STEEL		1