

# Reliable®

## Model WP Specific Application Window Sprinklers

cULus Listed  
K5.6 (80)

### Features

- cULus Listed to provide complete wetting of various glass surfaces
- Listed corrosion resistant finishes available for WP56 and WP56SS
- Flat-plate concealed finish available (WP56C only)
- ICC-ES Evaluated: [Report No. ESR-4700](#) for WP56, WP56L, and WP56C

### Product Description

Reliable Model WP Series Window Protection Sprinklers are fast response, pendent vertical sidewall, specific application sprinklers designed to provide complete coverage and wetting of heat strengthened, tempered, or ceramic glass windows.

These sprinklers were tested and listed by Underwriters Laboratories for their ability to maintain the integrity of a window assembly placed in a test furnace for a 2-hour period. The test is based upon gas flow into the furnace as required to achieve a temperature in the furnace in the absence of sprinklers matching the standard time-temperature curve in ASTM E119.

Where approved in accordance with Sections 104 of the International Building Code and International Fire Code, which in part authorizes the use of alternative materials and methods, Model WP Series Window Sprinklers may be used as interior protection of non-operable windows or glazing that are part of a fire resistance rated wall in sprinklered or non-sprinklered buildings. With the thermal operating elements removed, some of these sprinklers may also be used for outdoor exposure protection of non-operable windows or glazing when installed on a deluge system in accordance with NFPA requirements.

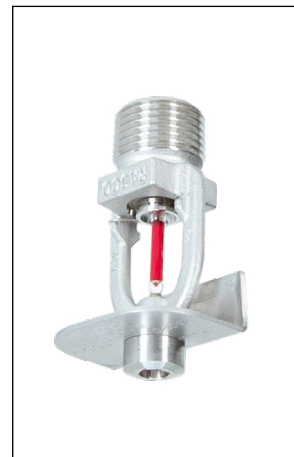
Model WP Series Window Protection Sprinklers are available in a variety of finishes (see Table F). Model WP56 sprinklers in white polyester, black polyester, or Electroless Nickel PTFE (ENT) finishes are cULus Listed as corrosion resistant sprinklers. The Model WP56SS (Stainless Steel) is cULus listed as corrosion resistant without any additional finish, but may be polyester coated for aesthetic reasons. In addition to the exposed versions of the product, the Model WP56C offers a flat plate concealed option.



WP56L Pendent Vertical Sidewall



WP56 Pendent Vertical Sidewall



WP56SS Stainless Steel Pendent Vertical Sidewall



WP56C Concealed Pendent Vertical Sidewall

### Model WP Series Sprinkler Summary

Table A

Sprinkler Model	Operating Element	Sprinkler Identification Number (SIN)
WP56 Pendent Vertical Sidewall	3mm Glass Bulb	R501
WP56L Pendent Vertical Sidewall	Fast-Response Fusible Link	R502
WP56SS Pendent Vertical Sidewall	3mm Glass Bulb	R503
WP56C Concealed Pendent Vertical Sidewall	Fast-Response Fusible Link	R504

**Technical Specifications**

**Style:** Pendant Vertical Sidewall  
**Threads:** 1/2" NPT or ISO7-1R1/2  
**Nominal K-Factor:** 5.6 (80 metric)  
**Max. Working Pressure:** 250 psi (17 bar)

**Material Specifications**

**Operating Element:** 3mm glass bulb  
**Sprinkler Frame:** Brass Alloy  
**Cap:** Copper Alloy  
**Sealing Washer:** Nickel Alloy with PTFE  
**Load Screw:** Copper Alloy  
**Deflector:** Bronze Alloy

**Sprinkler Finishes**  
 (See Table F)

**Sensitivity**  
 Fast Response

**Temperature Ratings**  
 155°F (68°C)  
 200°F (93°C)

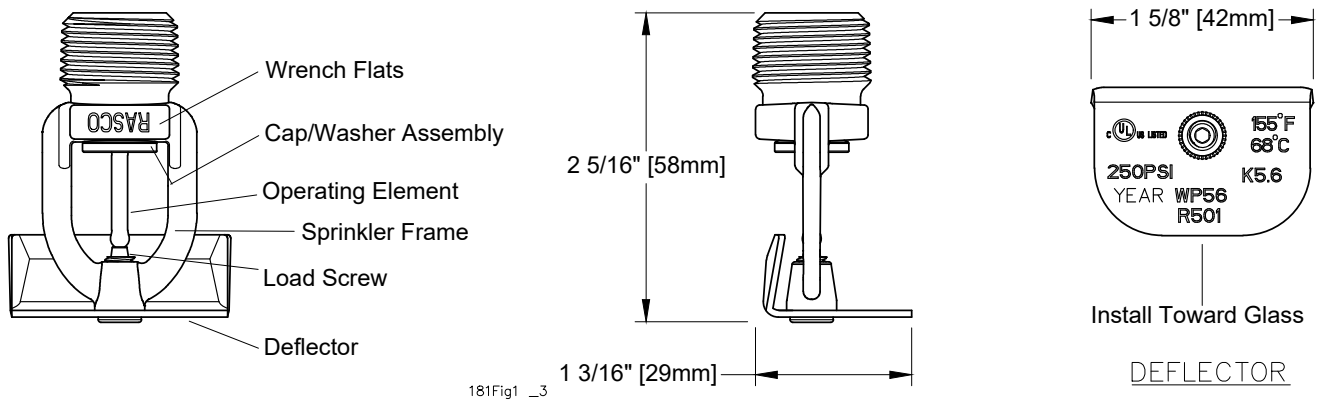
**Wrench**  
 Model W2

**Listings and Approvals**  
 cULus Listed Specific Application  
 ICC-ES: ESR No. 4700



Model WP56 Pendant Vertical Sidewall Components and Dimensions

Figure 1



Model WP56 Minimum Flow and Residual Pressure

Table B

Max. Coverage Length ft. (m)	Flow gpm (l/min)	Pressure psi (bar)
12 (3.7)	15 (57)	7.0 (0.48)

**Note:** Please reference installation instructions on pages 7-9 of this bulletin for the WP56 sprinkler.

**Technical Specifications**

**Style:** Pendant Vertical Sidewall  
**Threads:** 1/2" NPT or ISO7-1R1/2  
**Nominal K-Factor:** 5.6 (80 metric)  
**Max. Working Pressure:** 250 psi (17 bar)

**Material Specifications**

**Thermal Sensor:** Nickel Alloy  
**Sprinkler Frame:** Brass Alloy  
**Button:** Copper Alloy  
**Sealing Assembly:** Nickel Alloy with PTFE  
**Load Screw:** Bronze Alloy  
**Deflector:** Bronze Alloy

**Sprinkler Finishes**

(See Table F)

**Sensitivity**

Fast Response

**Temperature Ratings**

165°F (74°C)  
 212°F (100°C)

**Wrench**

Model W2

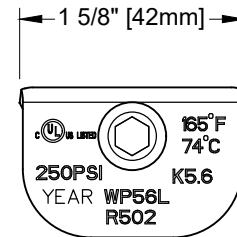
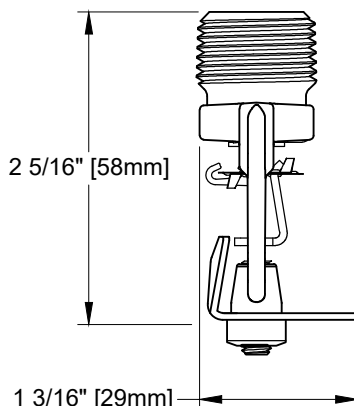
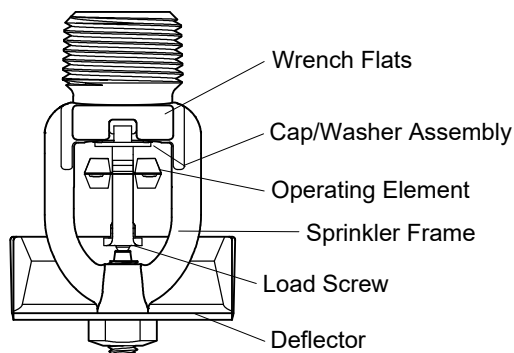
**Listings and Approvals**

cULus Listed Specific Application  
 ICC-ES: ESR No. 4700



**Model WP56L Pendant Vertical Sidewall Components and Dimensions**

**Figure 2**



Install Toward Glass

DEFLECTOR

181Fig2

**Model WP56L Minimum Flow and Residual Pressure**

**Table C**

Max. Spacing Between Sprinklers ft. (m)	Flow gpm (l/min)	Pressure psi (bar)
12 (3.7)	15 (57)	7.0 (0.48)

**Note:** Please reference installation instructions on pages 7-9 of this bulletin for the WP56L sprinkler.

**Technical Specifications**

**Style:** Pendant Vertical Sidewall  
**Threads:** 1/2" NPT or ISO7-1R1/2  
**Nominal K-Factor:** 5.6 (80 metric)  
**Max. Working Pressure:** 175 psi (12 bar)

**Sprinkler Finishes**

(See Table G)

**Sensitivity**

Fast Response

**Material Specifications**

**Operating Element:** 3mm glass bulb  
**Sprinkler Frame:** Type 316L Stainless Steel  
**Cap:** Type 316 Stainless Steel  
**Sealing Washer:** Beryllim-nickel alloy, gold plated per MIL-G-45204, Type 3, Class 2, with PTFE tape both sides  
**Load Screw:** Type 316 Stainless Steel  
**Deflector:** Type 316 Stainless Steel

**Temperature Ratings**

155°F (68°C)  
 200°F (93°C)

**Wrench**

Model W2

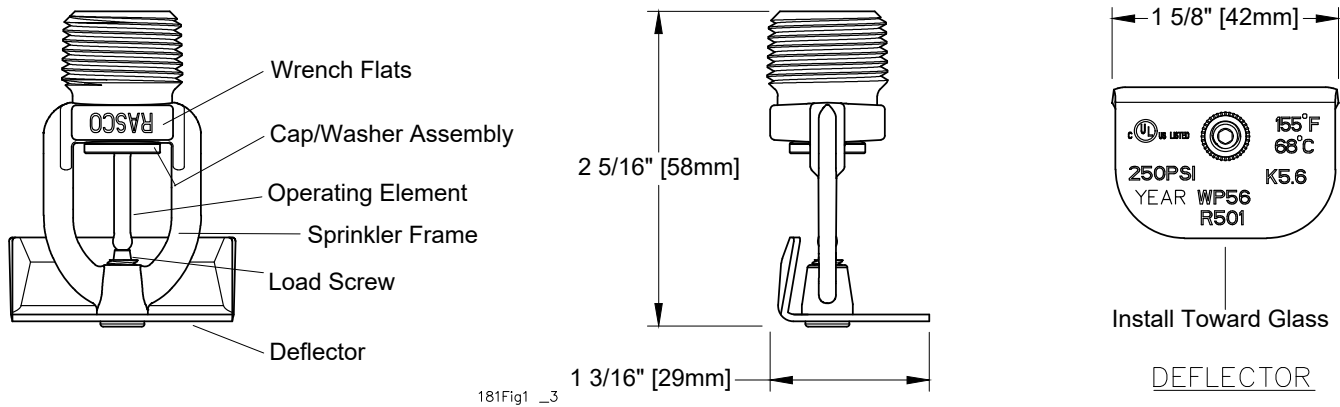
**Listings and Approvals**

cULus Listed Specific Application



**Model WP56SS Pendant Vertical Sidewall Components and Dimensions**

**Figure 3**



**Model WP56SS Minimum Flow and Residual Pressure**

**Table D**

Max. Coverage Length ft. (m)	Flow gpm (l/min)	Pressure psi (bar)
12 (3.7)	15 (57)	7.0 (0.48)

**Note:** Please reference installation instructions on pages 7-9 of this bulletin for the WP56SS sprinkler.

**Technical Specifications**

**Style:** Flat Cover Plate Concealed Pendant Vertical Sidewall  
**Threads:** 1/2" NPT or ISO7-1R1/2  
**Nominal K-Factor:** 5.6 (80 metric)  
**Max. Working Pressure:** 250 psi (17 bar)

**Material Specifications**

**Fusible Link:** Beryllium Nickel  
**Sprinkler Body:** Brass Alloy  
**Levers:** Bronze Alloy  
**Yoke:** Brass Alloy  
**Sealing Washer:** Nickel with PTFE  
**Load Screw:** Bronze Alloy  
**Towers:** Copper Alloy  
**Pins:** Stainless Steel  
**Deflector:** Bronze Alloy  
**Cup:** Steel  
**U-Bracket:** Bronze Alloy

**Sprinkler Finish**

Brass (Unfinished)

**Sensitivity**

Fast Response

**Sprinkler Temperature Ratings**

165°F (74°C)  
 212°F (100°C)

**Cover Plate**

Model G5

**Cover Plate Finishes**

(See Table H)

**Wrench**

Model FC

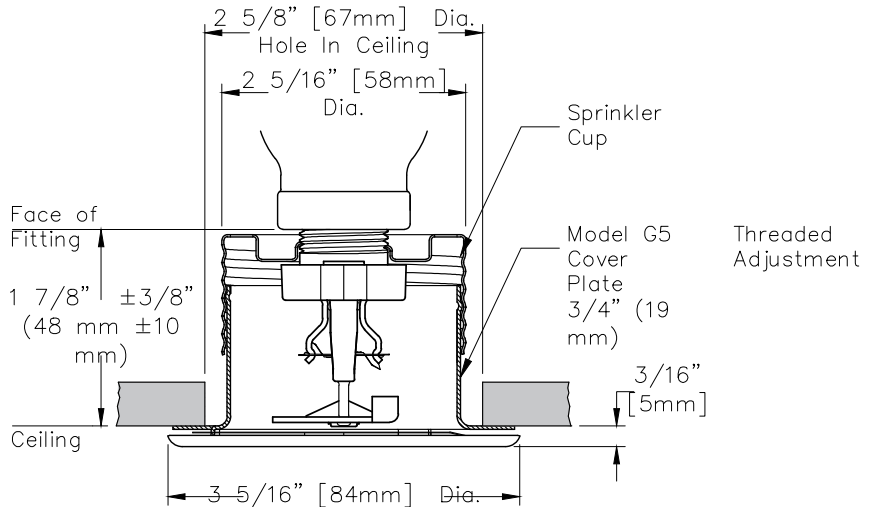
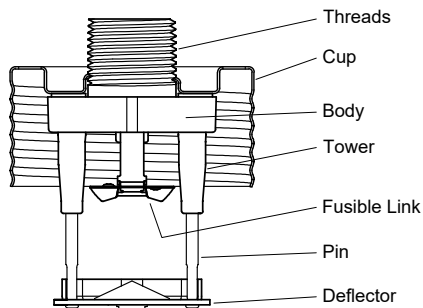
**Listings and Approvals**

cULus Listed Specific Application  
 ICC-ES: ESR No. 4700



**Model WP56C Pendant Vertical Sidewall Components and Dimensions**

**Figure 4**



Install Toward Glass

DEFLECTOR

Note: The Model WP56C sprinkler may not be used in locations where the pressure in the ceiling space above the sprinkler is positive with respect to the pressure in the protected area. Ensure that the openings in the sprinkler cup are unobstructed following installation.

**Model WP56C Minimum Flow and Residual Pressure**

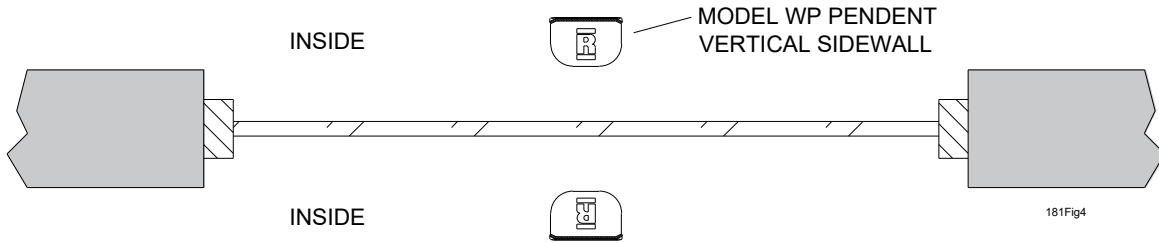
**Table E**

Max. Spacing Between Sprinklers ft. (m)	Flow gpm (l/min)	Pressure psi (bar)
6 (1.8) to 10 (3.0)	20 (76)	12.8 (0.88)
Less than 6 (1.8)	15 (57)	7.0 (0.48)

**Note:** Please reference installation instructions on pages 10-12 of this bulletin for the WP56C sprinkler.

**Non-Operable Window in Interior Fire Resistance Rated Wall - WP Sprinklers on Both Sides**

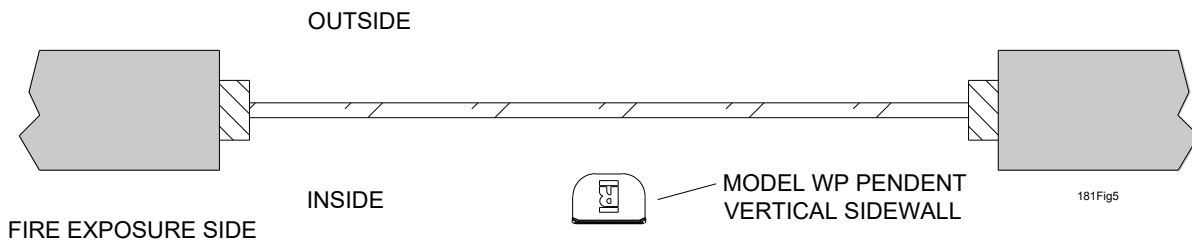
**Figure 5**



Model WP Series Window Sprinklers may be used when acceptable to the Authority Having Jurisdiction where window sprinklers are installed on each side of an interior window that is part of a fire resistance rated wall.

**Non-Operable Window in Exterior Fire Resistance Rated Wall - WP Sprinklers Inside**

**Figure 6**

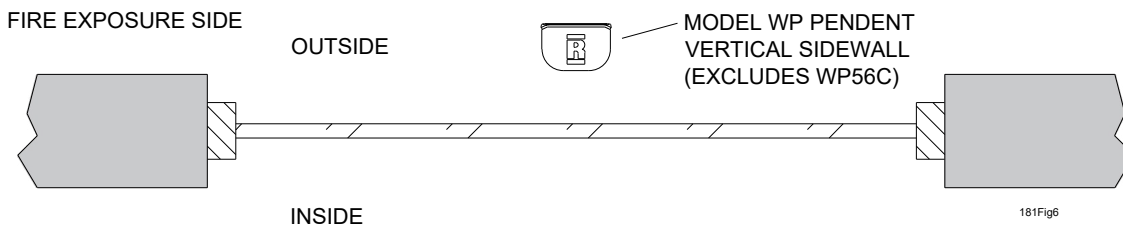


Model WP Series Window Sprinklers may be used when acceptable to the Authority Having Jurisdiction where window sprinklers are installed on the inside of an exterior window to protect an adjacent space from fire within your building, i.e., to provide separation from an adjacent space.

NOTE: Intermediate temperature rated sprinklers are recommended for use at exterior windows.

**Non-Operable Window in Exterior Fire Resistance Rated Wall - WP Sprinklers Outside**

**Figure 7**



Model WP56, WP56L, and WP56SS Window Sprinklers may be used when acceptable to the Authority Having Jurisdiction where open window sprinklers are installed on a deluge system on the exterior of the building to protect your building from fire outside your building, i.e., exposure protection. This installation is not suitable for applications with concealed window sprinklers.

The Reliable Model WP56, WP56L, and WP56SS Specific Application Window Sprinklers are cULus Listed for use as “Specific Application Window Sprinkler” and as open sprinklers for use on an exterior deluge system. Where approved, Model WP56, WP56L, and WP56SS Window Protection Sprinklers can be used for interior protection of windows or glazing in a sprinklered building or non-sprinklered building in accordance with Section 104 of the IBC (“Alternate Materials, Design, and Methods of Construction and Equipment”). In addition, Model WP56, WP56L, and WP56SS Window Protection sprinklers with the operating element removed may be used in outdoor, deluge exposure applications per NFPA design requirements.

## General Criteria

### Area of Use

Model WP56, WP56L, and WP56SS Window Sprinklers may be used when acceptable to the Authority Having Jurisdiction where:

- Window sprinklers are installed on each side of an interior window that is part of a fire resistance rated wall (Figure 5).
- Window sprinklers are installed on the inside of an exterior window to protect an adjacent building from fire within your building, i.e., to provide separation from an adjacent space (Figure 6).
- Open window sprinklers are installed on a deluge system on the exterior of the building to protect your building from fire within an adjacent building, i.e., exposure protection (Figure 7).

### Maximum Length of Window Assembly

Unlimited

### Maximum Height of Exposed Glazing

13 ft (4.0 m) Refer to Figure 8.

### Horizontal (Intermediate) Mullions

Intermediate Horizontal Mullions were not tested with Model WP Series Window Sprinklers. Their use is outside the scope of the “Specific Application” Listing for the window sprinklers. Refer to Figure 11.

### Blinds, Curtains, and Other Coverings

Blinds, curtains, and other window coverings shall NOT be installed between the Model WP Series Window Protection sprinklers and the glass surface.

### Minimum Clearance from Face of Glass to Combustible Materials

For glass types other than UL Listed fire-protection-rated Glazing Material meeting the requirements of ANSI/UL10B or ANSI/UL10C for a 1/3 hour fire resistance rating, all combustible materials shall be kept 2 in. (50 mm) from the front face of the glass using a minimum 36 in. (900 mm) pony wall or other method acceptable to the authority having jurisdiction.

### Glass Type

The following types and thicknesses of glass are recognized for use with Reliable Model WP Series Window Sprinklers:

- Non-operable, heat-strengthened, tempered, single-glazed (single pane), not less than 1/4 in. (6 mm) thick;
- Non-operable, heat-strengthened, tempered, double-glazed (double pane or insulated), not less than 1/4 in. (6 mm) thick;
- Non-operable, heat-strengthened, tempered, triple-glazed (triple pane or insulated), not less than 1/4 in. (6 mm) thick; or
- Non-operable, stronger glass window assemblies, not less than 1/4 in. (6 mm) thick.

### Glass Joint Types

- Non-combustible frame and vertical mullions with standard EPDM rubber gasket seals (Figure 9).
- Separate panes butt-jointed together vertically and sealed with silicone sealant (Figure 10).

## Installation Criteria

### System Protection Type

- Interior: Wet Systems
- Outside Exposure: Deluge

### Sprinkler Coverage

- Install window sprinkler(s) in each segment of windows separated by vertical mullions (Figure 9)
- Install window sprinklers a maximum of 12 ft (3.7 m) apart for windows with vertical butt joints (Figure 10)

### Sprinkler Location

- Sprinklers must be positioned with respect to the glass in order to ensure the entire surface is covered
- Locate sprinkler centerline 4 in (100 mm) minimum and 12 in (300 mm) maximum from face of glass (Figure 8)
- Locate the horizontal blade of the deflector 2 in (50 mm) minimum and 4 in (100 mm) maximum down from the top of the exposed glass (Figure 8)

### Maximum Distance Between Window Sprinklers

12 ft (3.7 m) (Figures 9 and 10)

### Minimum Distance Between Window Sprinklers

6 ft (1.8 m) unless separated by a baffle or mullion which extends to the back of the sprinkler deflector (Figures 9 and 10)

### Distance from Side of Vertical Mullion

4 in (100 mm) minimum; 7 ft (2.1 m) maximum (Figures 9 and 10)

### Minimum Distance from Standard Sprinklers

6 ft (1.8 m) minimum, or the minimum specified for the standard sprinkler, unless separated by a baffle

## Model WP56 and WP56L Specific Application Criteria (cont.)

### Sprinkler Escutcheons

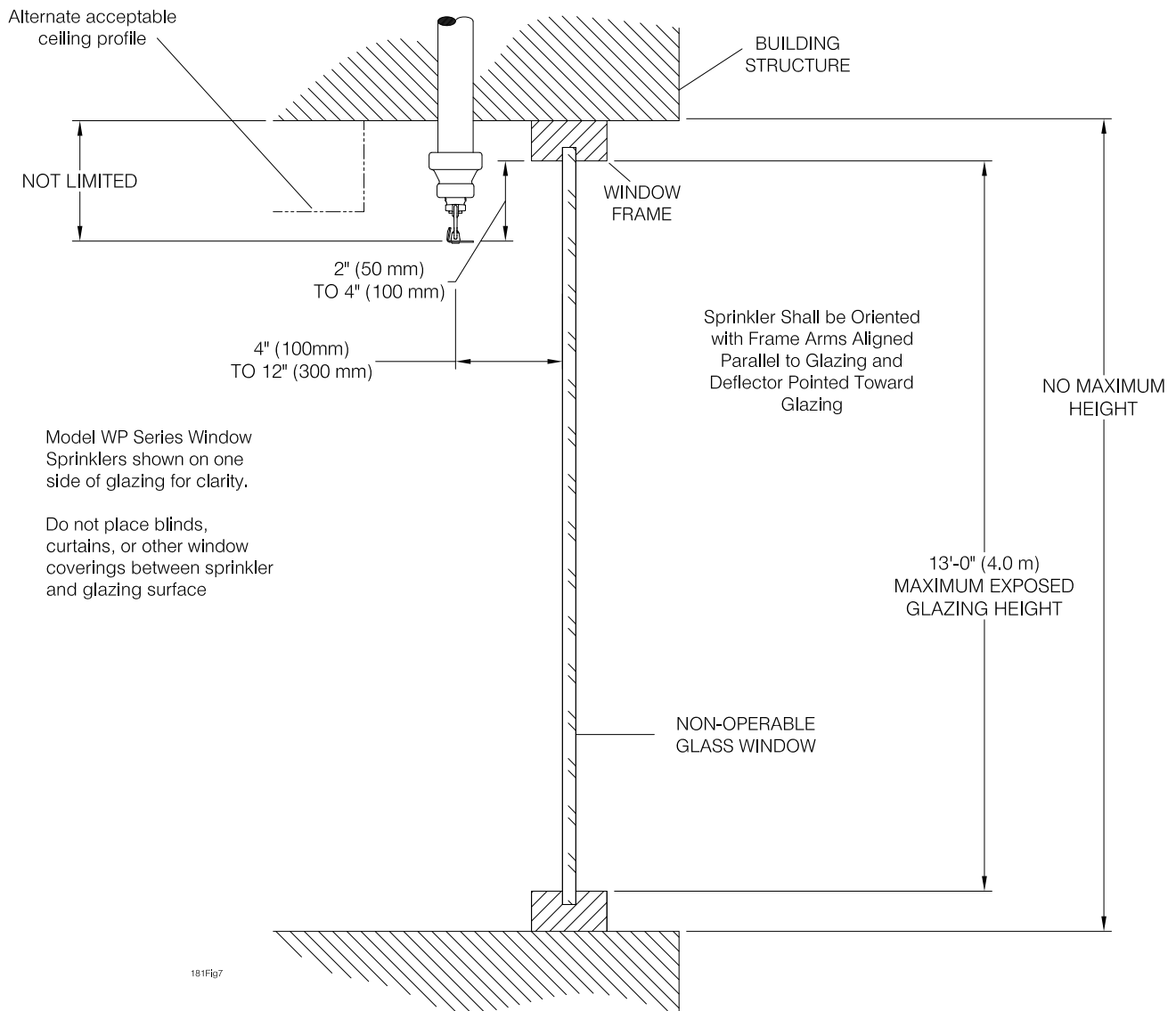
Model WP56, WP56L, and WP56SS Window Sprinklers may be installed exposed, or used with any metallic surface mount or extended escutcheon provided the sprinkler location specified in this technical bulletin are met. The use of Model WP56, WP56L, and WP56SS Window Sprinklers with recessed escutcheons has not been evaluated and is outside the scope of the sprinkler listing.

### Temperature Rating

Sprinkler temperature selection shall be in accordance with the requirements of the NFPA 13. Intermediate temperature rated sprinklers are recommended where sprinklers are used at exterior windows.

## Model WP Pendent Vertical Sidewall Sprinkler Installation Dimensions

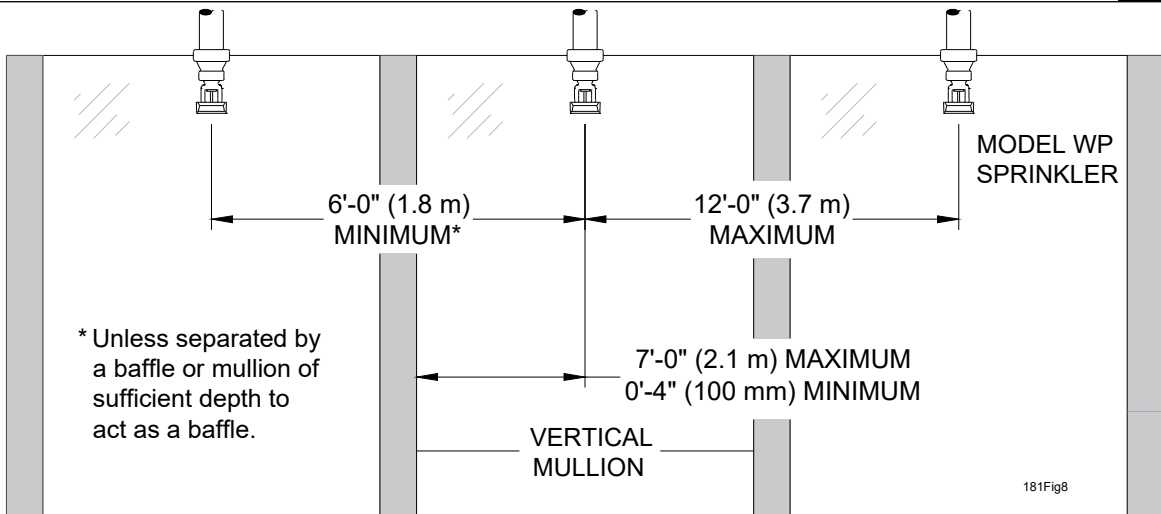
Figure 8





Multiple Windows Separated by Mullions

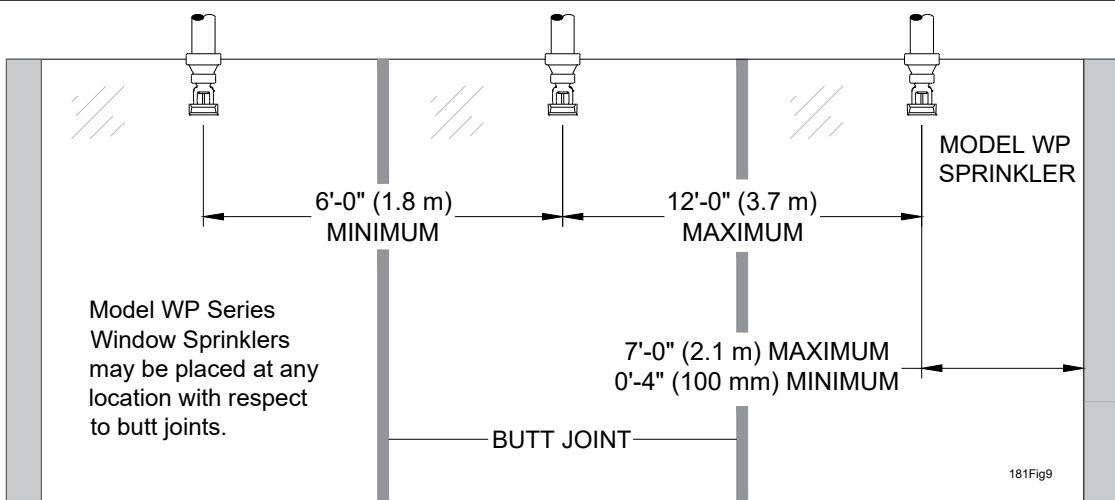
Figure 9



Note: "Sufficient Depth" is defined as extending to the back of the sprinkler deflector.

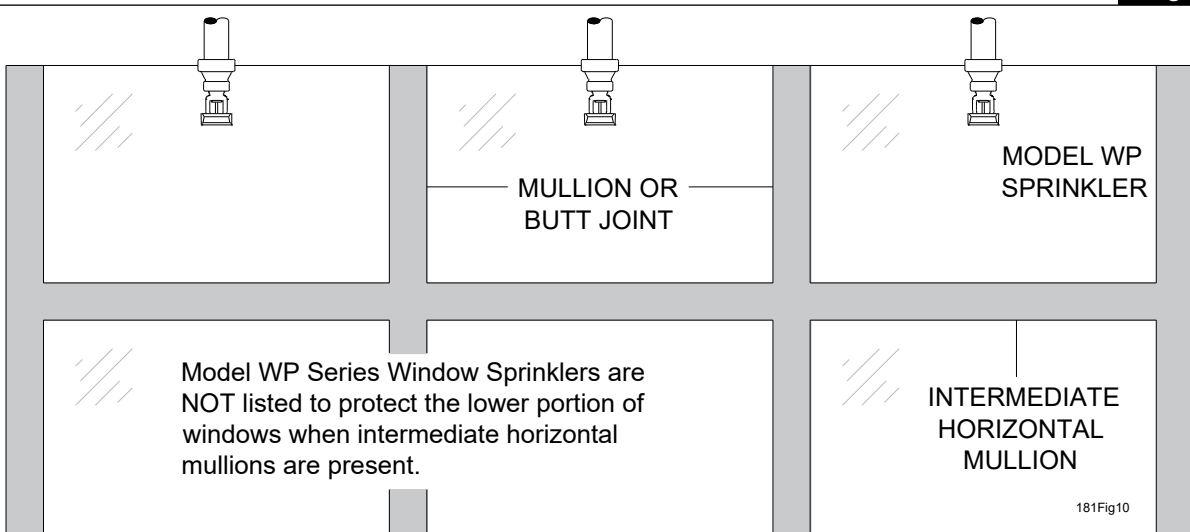
Multiple Windows Separated by Butt Joints

Figure 10



Windows with Horizontal Mullions

Figure 11



## Model WP56C Specific Application Criteria

The Reliable Model WP56C Specific Application Concealed Window Sprinklers are cULus Listed for use as “Specific Application Window Sprinkler”. Where approved, Model WP56C Concealed Window Protection Sprinklers can be used for interior protection of windows or glazing in a sprinklered building or non-sprinklered building in accordance with Section 104 of the IBC (“Alternate Materials, Design, and Methods of Construction and Equipment”).

### General Criteria

#### Area of Use

Model WP56C Concealed Window Sprinklers may be used when acceptable to the Authority Having Jurisdiction where:

- Window sprinklers are installed on each side of an interior window that is part of a fire resistance rated wall (Figure 5).
- Window sprinklers are installed on the inside of an exterior window to protect an adjacent building from fire within your building, i.e., to provide separation from an adjacent space (Figure 6).

#### Maximum Length of Window Assembly

Unlimited

#### Maximum Height of Exposed Glazing

13 ft (4.0 m) Refer to Figure 12.

#### Horizontal (Intermediate) Mullions

Intermediate Horizontal Mullions were not tested with Model WP56C Concealed Window Sprinklers. Their use is outside the scope of the “Specific Application” Listing for the window sprinklers. Refer to Figure 15.

#### Blinds, Curtains, and Other Coverings

Blinds, curtains, and other window coverings shall NOT be installed between the Model WP56C Concealed Window Protection sprinklers and the glass surface.

#### Minimum Clearance from Face of Glass to Combustible Materials

For glass types other than UL Listed fire-protection-rated Glazing Material meeting the requirements of ANSI/UL10B or ANSI/UL10C for a 1/3 hour fire resistance rating, all combustible materials shall be kept 2 in. (50 mm) from the front face of the glass using a minimum 36 in. (900 mm) pony wall or other method acceptable to the authority having jurisdiction.

#### Glass Type

The following types and thicknesses of glass are recognized for use with Reliable Model WP Series Window Sprinklers:

- Non-operable, heat-strengthened, tempered, single-glazed (single pane), not less than 1/4 in. (6 mm) thick;
- Non-operable, heat-strengthened, tempered, double-glazed (double pane or insulated), not less than 1/4 in. (6 mm) thick;
- Non-operable, heat-strengthened, tempered, triple-glazed (triple pane or insulated), not less than 1/4 in. (6 mm) thick; or
- Non-operable, stronger glass window assemblies, not less than 1/4 in. (6 mm) thick.

#### Glass Joint Types

- Non-combustible frame and vertical mullions with standard EPDM rubber gasket seals (Figure 13).
- Separate panes butt-jointed together vertically and sealed with silicone sealant (Figure 14).

### Installation Criteria

#### System Protection Type

- Interior: Wet Systems

#### Sprinkler Coverage

- Install window sprinkler(s) in each segment of windows separated by vertical mullions (Figure 13)
- Install window sprinklers a maximum of 10 ft (3.0 m) apart for windows with vertical butt joints (Figure 14)

#### Sprinkler Location

- Sprinklers must be positioned with respect to the glass in order to ensure the entire surface is covered
- Locate sprinkler centerline 6 in (150 mm) minimum and 12 in (300 mm) maximum from face of glass (Figure 12)
- Locate the horizontal blade of the deflector 2 in ± 2 in (50 mm ± 50 mm) above the top of the exposed glass (Figure 12)

#### Maximum Distance Between Window Sprinklers

10 ft (3.0 m)

#### Minimum Distance Between Window Sprinklers

6 ft (1.8 m) unless separated by a baffle or mullion which extends to the back of the sprinkler deflector (Figures 13 and 14)

#### Distance from Side of Vertical Mullion

4 in (100 mm) minimum; 5'-6" (1.7 m) maximum (Figures 13 and 14)

#### Minimum Distance from Standard Sprinklers

6 ft (1.8 m) minimum, or the minimum specified for the standard sprinkler, unless separated by a baffle

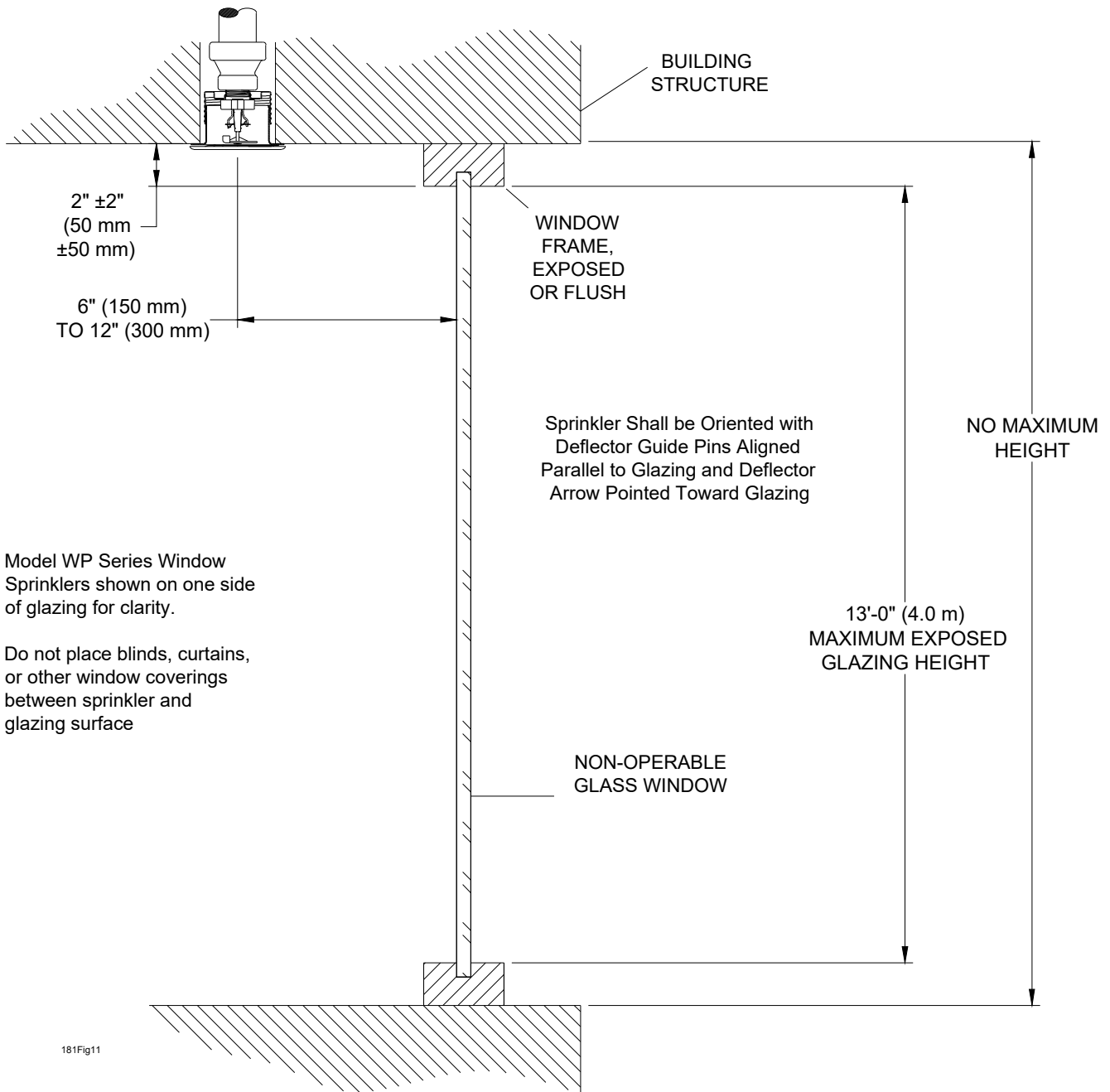
#### Sprinkler Cover Plates

Model WP56C Concealed Window Sprinklers use G5 flat cover plates. Available factory finishes of Model G5 cover plates are detailed in Table H.

#### Temperature Rating

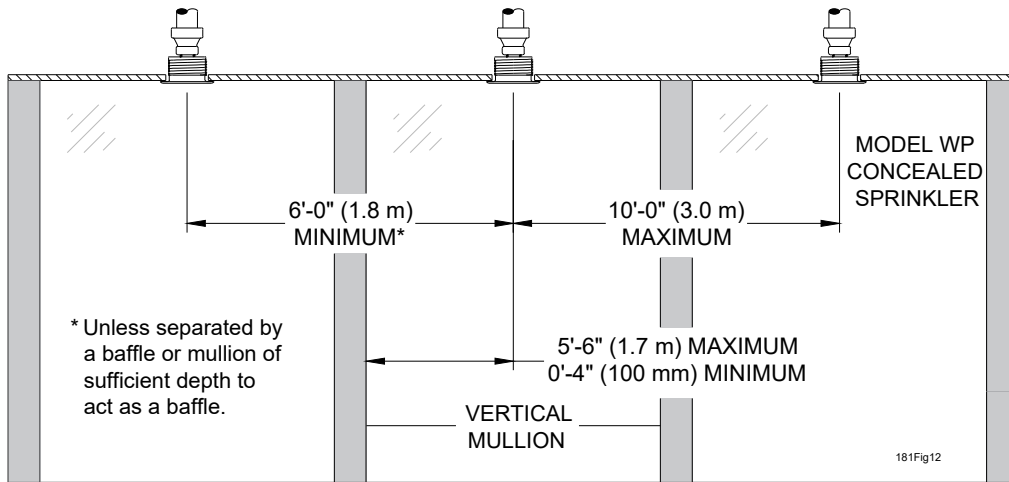
Sprinkler temperature selection shall be in accordance with the requirements of the NFPA 13. Intermediate temperature rated sprinklers are recommended where sprinklers are used at exterior windows.

Cover plates with temperature rating of 145°F (57°C) to be used only with 165°F (74°C) temperature rated sprinklers. Cover plates with temperature rating of 165°F (74°C) to be used only with 212°F (100°C) temperature rated sprinklers.



**Multiple Windows Separated by Mullions**

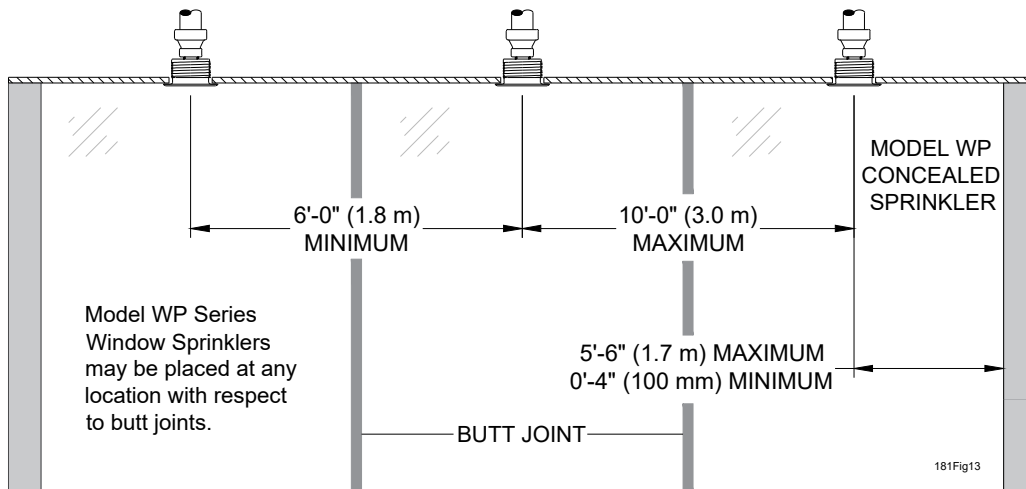
**Figure 13**



**Note:** "Sufficient Depth" is defined as extending to the back of the sprinkler deflector.

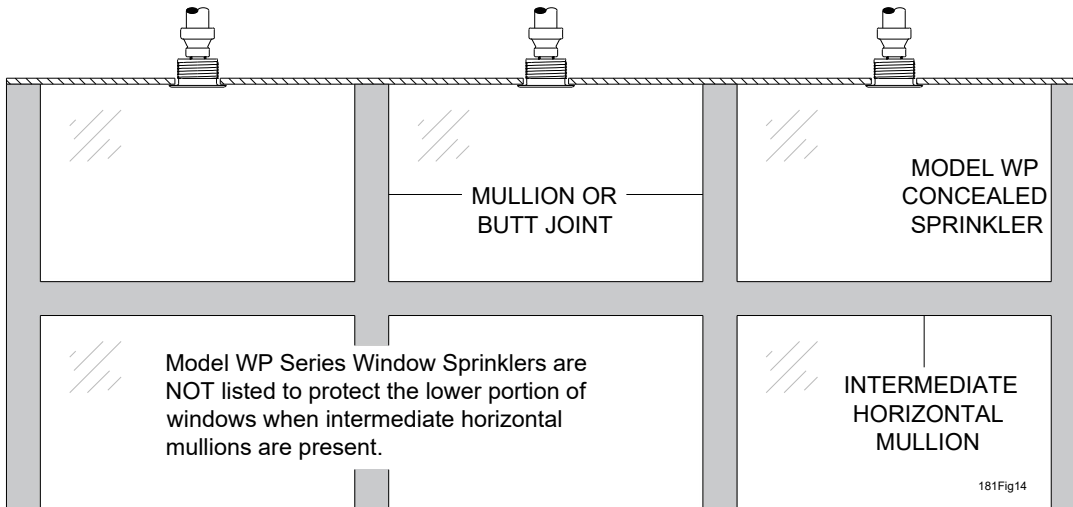
**Multiple Windows Separated by Butt Joints**

**Figure 14**



**Windows with Horizontal Mullions**

**Figure 15**



## Recommended Hydraulic Requirements

The Authority Having Jurisdiction should be consulted to determine the hydraulic requirements for each installation.

### Interior Protection in a Sprinklered Building

Calculate all Model WP Series Window Sprinklers along the most demanding 46.5 linear feet (14.2 linear meters) on one side of the glazing. (**Note:** This length is based upon 1.2 times the square root of standard 1500 square foot light hazard area of operation in accordance with NFPA 13 area/density curves).

If a reduction to the standard 1500 square foot design area is made (as allowed by NFPA 13 for the use of quick response sprinklers) the length of the design area may also be reduced accordingly, but in no case shall be less than 36 linear feet (11 linear meters).

When the length of the window is less than 46.5 linear feet (14.2 linear meters), calculate all Model WP Series Window Sprinklers on one side of the glazing.

### Interior Protection in a Non-Sprinklered Building

Calculate all Model WP Series Window Sprinklers on the most demanding side of the window.

### Exterior Exposure Protection

Calculate all Model WP56, WP56L, and WP56SS Window Sprinklers on the deluge system. Model WP56C Concealed Window Sprinklers are not intended for use on deluge systems. (**Note:** All other aspects of deluge system design to be in accordance with NFPA 13.)

### Water Demand

If Model WP Series Window Sprinklers are located within the hydraulic design area of the building sprinkler system and a single fire is expected to operate both window sprinklers and ceiling sprinklers, the water demand of the window sprinklers shall be added to the hydraulic demand of the ceiling system and balanced at the point of connection to the system.

If Model WP Series Window Sprinklers are not located within the hydraulic design area of the building sprinkler system, it is not necessary to add the water demand of the window sprinklers to the remote area calculation. A supplemental calculation may be required, however, to verify the water supply is capable of supplying the simultaneous operation of the window sprinklers and the adjacent ceiling sprinklers.

The required flow and pressure per sprinkler must be in accordance with Tables B, C, D, and E as applicable to the sprinkler and installation.

### Water Supply Duration

The duration of the water supply shall be the greater of (a) the minimum requirement of NFPA 13, or (b) the rating period (as expressed in minutes) obtained when window sprinklers are used to provide an equivalency rating.

## Installation

### Model WP56, WP56L, and WP56SS

Model WP56, WP56L, and WP56SS sprinklers are to be installed in the pendent vertical sidewall position with their frame arms parallel to the glass surface and the curved portion of the deflector oriented towards the glass (Figure 8). When installing the Model WP56, WP56L, and WP56SS sprinklers use only the Reliable Model W2 (Figure 16) installation wrench. Usage of any other type of installation wrench may damage the sprinkler and will immediately void the manufacturer's warranty.

Recommended installation torque is 8 - 18 lb-ft (11-24 N·m). Do not tighten sprinklers over the maximum recommended torque. Exceeding the maximum recommended torque may cause leakage or impairment of the sprinklers.

Model W2 Wrench

Figure 16



### Model WP56C

Model WP56C sprinklers must not be installed in ceilings with positive pressure in the space above. Ensure that the 4 slots in the cup are open and unobstructed following installation. Model WP56C sprinklers are to be installed in the pendent vertical sidewall position with their frame arms parallel to the glass surface and the pointed portion of the deflector oriented towards the glass (Figure 12).

Model WP56C sprinklers are to be installed using the Reliable Model FC (Figure 17) wrench by temporarily removing the protective cap during installation of the sprinkler. The use of any other wrench to install Model WP56C concealed sprinklers is not permitted and may damage the sprinkler. Insert the Model FC wrench over the sprinkler until the wrench engages the body. Do not wrench any other part of the sprinkler/cup assembly. The Model FC wrench is designed to be turned with a standard 1/2" square drive. Tighten the sprinkler into the fitting after applying a PTFE based thread sealant to the sprinkler's threads.

Recommended installation torque is 8 -18 lb-ft (11-24 N·m). Do not tighten sprinklers over the maximum recommended torque. Exceeding the maximum recommended torque may cause leakage or impairment of the sprinklers.

Model FC Wrench

Figure 17



## Maintenance

Reliable Model WP series sprinklers should be inspected, and the sprinkler system maintained in accordance with NFPA 25, as well as the requirements of any Authorities Having Jurisdiction.

Prior to installation, sprinklers should remain in the original cartons and packaging until used. This will minimize the potential for damage to sprinklers that could cause improper operation or non-operation.

Do not clean sprinklers with soap and water, ammonia liquid or any other cleaning fluids. Remove dust by gentle vacuuming without touching the sprinkler.

Replace any sprinkler or cover plate which has been painted (other than factory applied). Properly installed Model WP56C concealed window sprinklers using Model G5 cover plates will have an air gap that is required for proper operation, do not seal the gap or paint the cover plates. Model WP56C sprinklers have holes in the cup that must remain unobstructed.

A stock of spare sprinklers should be maintained to allow quick replacement of damaged or operated sprinklers.

Failure to properly maintain sprinklers may result in inadvertent operation or non-operation during a fire event.

**Model WP56 / WP56L Sprinkler Finishes<sup>(1)</sup>** **Table F**

Standard Finishes	Special Finishes
None (Bronze) Chrome Plated White Polyester <sup>(2)</sup>	Black Polyester <sup>(2)</sup> Custom Color Polyester Electroless Nickel PTFE <sup>(2)</sup>

**Notes:**

1. Paint or any other coating applied over the factory finish will void all approvals and warranties.
2. cULus Listed Corrosion Resistant finish (WP56 only)

**Model WP56SS Sprinkler Finishes<sup>(1)(2)</sup>** **Table G**

Standard Finishes	Special Finishes
None (Stainless Steel) White Polyester	Custom Color Polyester

**Notes:**

1. Paint or any other coating applied over the factory finish will void all approvals and warranties.
2. The Model WP56SS is cULus Listed as corrosion resistant without any additional finishes.

**Model G5 Cover Plate Finishes<sup>(1)</sup>** **Table H**

Standard Finishes	Special Finishes
White Paint Chrome	Off-White Paint Black Paint Custom Color Paint - Specify <sup>(2)</sup> Raw Brass (Lacquered) Bright Brass Finished Bronze Satin Chrome Stainless Steel-Clad <sup>(3)</sup> Custom Printed

**Notes:**

1. Paint or any other coating applied over the factory finish will void all approvals and warranties.
2. Custom color paint is semi-gloss unless specified otherwise.
3. Stainless steel-clad cover plates are Type 316 Stainless Steel on the finished side and C102 Copper Alloy on the back side. Cover plates are not listed or approved as corrosion resistant.

## Guarantee

For Reliable Automatic Sprinkler Co., Inc. guarantee, terms, and conditions, visit [www.reliablesprinkler.com](http://www.reliablesprinkler.com).

## Ordering Information

**Specify:**

**Sprinkler Model**

- WP56, WP56L, WP56SS, WP56C

**Temperature Rating**

- WP56: [155°F (68°C)] [200°F (93°C)]
- WP56L: [165°F (74°C)] [212°F (100°C)]
- WP56SS: [155°F (68°C)] [200°F (93°C)]
- WP56C: [165°F (74°C)] [212°F (100°C)]
- WP56C Cover plate: [135°F (57°C)] [165°F (74°C)]

**Threads**

- NPT or ISO7-1

**Finish**

- WP56, WP56L: See Table F
- WP56SS: See Table G
- WP56C: See Table H

**Sprinkler Wrench**

- Model W2 Wrench (WP56, WP56L, WP56SS)
- Model FC Wrench (WP56C)