

Reliable®

Model E90S1 Grooved Elbow 90° Short Radius

cULus Listed, FM Approved
300 psi (20.7 bar)

E90S1 Grooved Elbow 90° Short Radius Technical Data

Operating Specifications

Maximum Working Pressure:
300 psi (20.7 bar)

Material Specifications

Body: ASTM A536 Grade 65-45-12 Ductile Iron

Design Specifications

Groove: AWWA-C606

Available Finishes

Housing:

Standard orange paint
Hot dipped galvanized (ASTM A-153)

Listings and Approvals

cULus Listed
FM Approved



E90S1 Grooved Elbow 90° Short Radius Dimensions

Figure 1

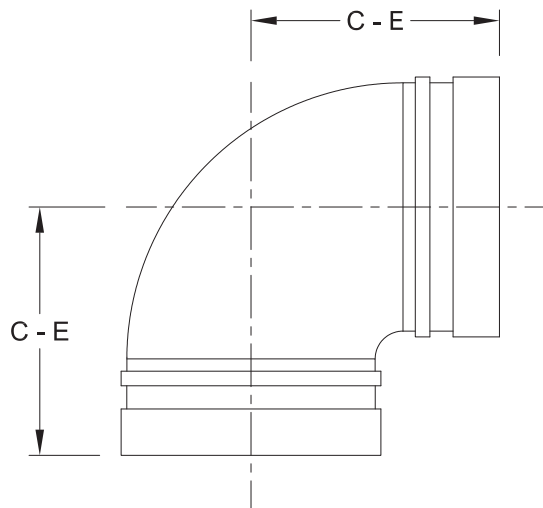


Table A

Nominal Size in (mm)	Pipe O.D. in (mm)	Dimension in (mm)	Weight lb (kg)	Fitting Friction Loss Eq Feet of Pipe (m)
		C - E		
2 (50)	2.375 (60.3)	2-3/4 (70)	1.41 (0.64)	3.6 (1.1)
2-1/2 (65)	2.875 (73.0)	3 (76)	1.94 (0.88)	4.3 (1.3)
3 (80)	3.500 (88.9)	3-3/8 (85)	2.56 (1.16)	4.9 (1.5)
4 (100)	4.500 (114.3)	4 (102)	4.06 (1.84)	6.9 (2.1)
6 (150)	6.625 (168.3)	5-1/2 (140)	10.14 (4.60)	9.8 (3)
8 (200)	8.625 (219.1)	6-7/8 (175)	16.64 (8)	13.1 (4)
10 (250)	10.750 (273.0)	8-7/16 (215)	32.63 (14.80)	17.1 (5.2)
12 (300)	12.750 (323.9)	8-11/16 (220)	35.06 (15.90)	20.0 (6.1)

P/N 9999970638