

Reliable®

Model AAV Automatic Air Vent

cULus Listed,
FM Approved

Features

- Stainless Steel Construction
- 175 psi (12 bar) and 300 psi (20.7 bar) option

Product Description

The Reliable Model AAV Automatic Air Vent is designed to reduce the amount of trapped air in a wet pipe fire sprinkler system. Reducing the amount of air in the system reduces internal corrosion of piping by limiting the supply of oxygen and can also reduce the incidence of false alarms. The Model AAV is designed to automatically vent air from a high point in the system as the piping is filled and will automatically close when water reaches the vent. Air that subsequently migrates to the Model AAV will also be vented. The Model AAV is provided with a ½" NPT inlet for connection to the system, and a ½" NPT outlet connection for routing to drain (if desired).

Installation

The Model AAV shall be installed in accordance with the requirements of NFPA 13 and any applicable local codes or standards. The recommended location is near a high point of the wet pipe system. The Model AAV must be installed in the upright, vertical position on top of the pipe, in a location that does not obstruct the distribution pattern of any fire sprinkler. If desired, a ball valve (not included) may be installed in line with the device to facilitate inspection and servicing. Immediately after filling the wet pipe system, inspect the Model AAV for leaks and proper operation.

Maintenance

The owner is responsible for maintaining all parts of the fire protection system in proper operating condition. Any system maintenance or testing that involves placing a system component out of service may eliminate the fire protection that is provided by the fire protection system.

The Reliable Model AAV Automatic Air Vent shall periodically be given a thorough inspection and test. NFPA 25, "Inspection, Testing, and Maintenance of Water Based Fire Protection Systems," provides minimum maintenance requirements. System components shall be tested, operated, cleaned and inspected at least annually and parts replaced as required.

Listings and Approvals

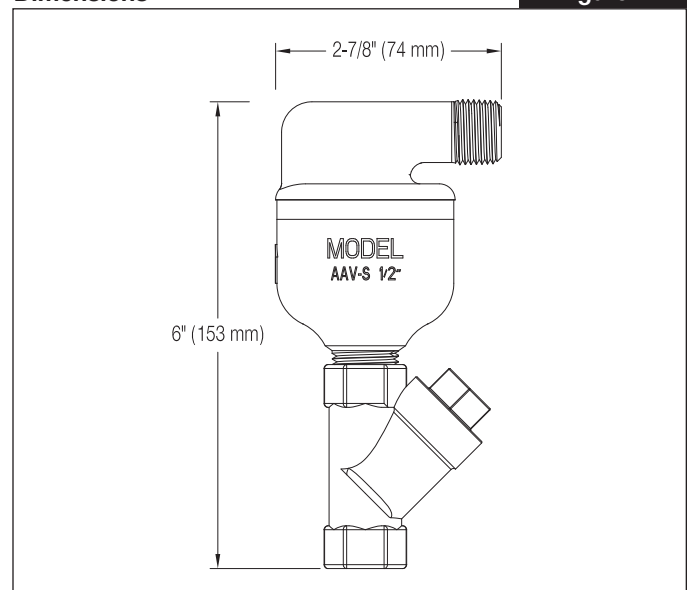
- UL Listed to Subject 2573, Automatic Air Release Valves and Air/Vacuum Valves for Fire Protection Service
- FM Approved to Approval Standard for Air Release Valves, Class 1344



Model AAV Automatic Air Vent

Dimensions

Figure 1



Guarantee

For the Reliable Automatic Sprinkler Co., Inc. guarantee, terms, and conditions, visit www.reliablesprinkler.com.

Ordering Information

Specify the following when ordering:

Model AAV Automatic Air Vent

- 175 psi (12 bar)
- 300 psi (20.7 bar)