

Reliable®

Sure-Off Tester

Product Description

The Reliable Sure-Off Tester is a pressure measuring device used to determine if the appropriate system has been drained prior to beginning work. The Sure-Off Tester has a pressure rating of 300 psi (20,7 bar), and is available for attachment to 1" through 8" steel pipe.

The Sure-Off Tester includes the drill bit, water pressure gauge, and a drain port for attachment of a garden hose to release water from the test piping (hose not included).

Instructions

1. Install the pressure gauge in the 1/4" NPT bushing of the Sure-Off Tester with PTFE tape.
2. Close the drain ball valve
3. Retract the drill bit and close the drill bit orifice ball valve.
4. Attach the mechanical outlet to the system piping.
5. Attach a cordless power drill to the drill bit.
6. Open the drill bit orifice ball valve.
7. Using consistent power, drill a hole into the pipe.
8. Retract the drill bit and close the drill bit orifice ball valve.
9. Read the pressure on the pressure gauge to verify whether the control valve supplying the system is closed.
10. If desired, connect a hose (not included) to the hose connection and open the drain ball valve to drain water from the device.
11. Remove the Sure-Off Tester, remove and/or replace the test pipe.

Ordering Information

Specify the following when ordering:

- Sure-Off Tester
- Size (1", 1-1/4", 1-1/2", 2", 2-1/2", 3", 4", 6", 8")

Replacement Parts

Drill bit with collar and o-rings (P/N 6888000011)

Guide bushing (P/N 94905000)

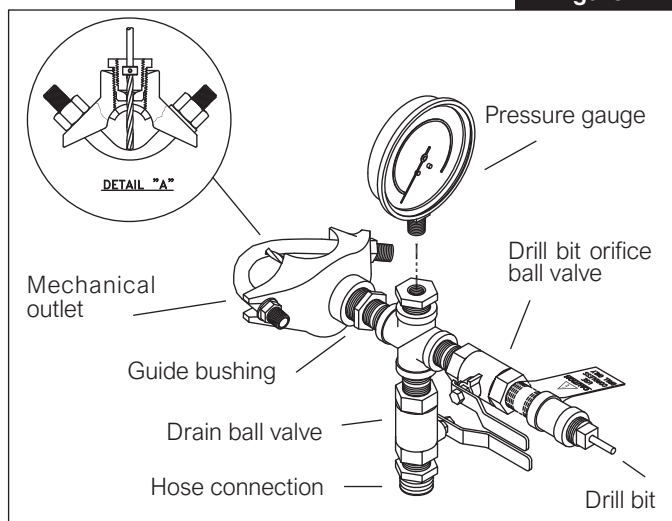
Mechanical Tees

- 1" - PN 98500000
- 1-1/4"/1-1/2" - PN 98500001
- 2" - PN 98500002
- 2-1/2" - PN 98500005
- 3" - PN 98500003
- 4" - PN 98500004
- 6" - PN 98500006
- 8" - PN 98500008



Sure-Off Tester

Figure 1



Guarantee

For the Reliable Automatic Sprinkler Co., Inc. guarantee, terms, and conditions, visit www.reliablesprinkler.com.