



Model G VELO Pendant

Storage and Non-Storage Sprinkler
K14.0 (200 metric)

Product Description

The Reliable Model G VELO Pendant is a standard-response standard coverage 14.0 (200) K-factor sprinkler utilizing a solder capsule thermal element in 165°F (74°C), 212°F (100°C), and 286°F (141°C) temperature ratings.

The solder is captured in the cylinder of the capsule by a stainless steel ball. When the solder melts, the ball moves into the cylinder allowing the thermal element to fall away from the sprinkler. When this occurs, the compressed strut and lever spring free from the sprinkler. System pressure then clears the waterway of all operating parts allowing the deflector to evenly distribute water.

The Model G VELO is provided with 3/4-inch NPT or ISO 7-1 R3/4 threads, and is installed using the Model H sprinkler wrench.

Application

This sprinkler is intended for use in hydraulically calculated control mode density area (CMDA) storage and non-storage occupancies in accordance with the area/density curves of NFPA 13 or other applicable standards.

The Model G VELO is cULus Listed as a standard-response storage sprinkler, and FM Approved as both a standard-response storage and non-storage sprinkler.

Additional criteria for use as a storage sprinkler can be found in Table B.



Model G VELO Pendant

Model G VELO Specifications

Table A

Style	Sprinkler Identification Number (SIN)	Listings and Approvals	Sensitivity	K-Factor
Pendent	R4613	cULus, FM	Standard Response	14.0 (200 metric)

Model G VELO Pendent Sprinkler

SIN R4613

Technical Specifications

Style: Pendent
Threads: 3/4" NPT or ISO 7-1R3/4
Nominal K-Factor: 14.0 (200 metric)
Max. Working Pressure: 175 psi (12 bar)

Material Specifications

Thermal Sensor: Solder Capsule
Sprinkler Frame: Brass Alloy
Button/Cup: Brass Alloy
Sealing Assembly: Brass Alloy with PTFE
Load Screw: Bronze
Deflector: Bronze Alloy
Levers: Bronze Alloy

Finishes

See Table C

Sensitivity

Standard Response

Temperature Ratings

See Table D

Sprinkler Wrench

Model H

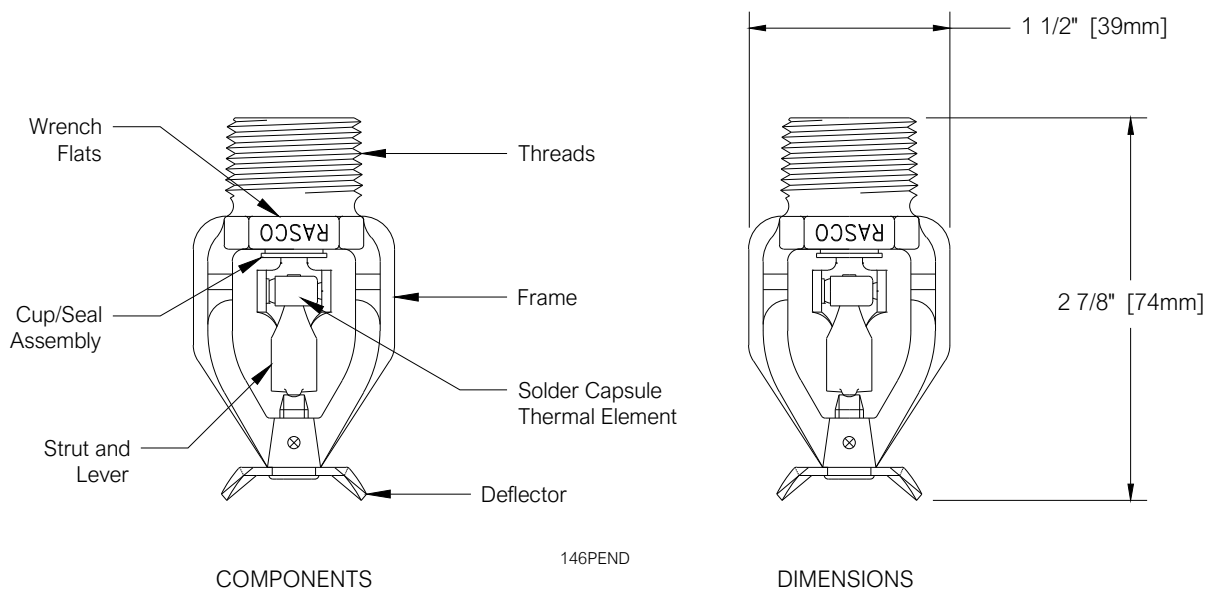
Listings and Approvals

cULus (Storage)
 FM Approved (Storage, Non-storage)



Model G VELO Pendent Components and Dimensions

Figure 1



Model G VELO Commodity Selection and Design Criteria Overview

Table B

Storage Type	NFPA	FM GLOBAL
Sprinkler Type	CMDA	Storage
Response Type	SR	SR
System Type	Wet	Wet
Temperature Rating °F (°C)	165, 212, 286 (74, 100, 141)	165, 212, 286 (74, 100, 141)
Roof Construction	See NFPA 13	See FM Global 2-0
Ceiling Slope	See NFPA 13	See FM Global 2-0
Maximum Coverage Area	See NFPA 13	See FM Global 2-0
Minimum Coverage Area	See NFPA 13	See FM Global 2-0
Maximum Spacing	See NFPA 13	See FM Global 2-0
Minimum Spacing	See NFPA 13	See FM Global 2-0
Minimum Clearance to Commodity	36" (900 mm)	36" (900 mm)
Sprinkler Distance to Ceiling	See NFPA 13	See FM Global 2-0
Open Frame, Single, Double, Multiple Row, or Portable Rack Storage of Class I - IV Commodity and Group A Plastic	See NFPA 13	See FM 2-0 & 8-9
Solid Pile or Palletized Storage of Class I - IV Commodity and Group A Plastic	See NFPA 13	See FM 2-0 & 8-9
Idle Pallet Storage	See NFPA 13	See FM 2-0,8-9 & 8-24
Rubber Tire Storage	See NFPA 13	See FM 8-3
Rolled Paper Storage	See NFPA 13	N/A
Flammable Liquid Storage	See NFPA 30	See FM 7-29 and 8-9
Aerosol Storage	See NFPA 13	See FM 7-31
Auto Components in Portable Racks	See NFPA 13	See FM 2-0 and 8-9

Finishes

Table C

Standard Finishes
Bronze
Chrome ⁽¹⁾
Lead ⁽¹⁾⁽²⁾
Wax ⁽¹⁾⁽²⁾⁽³⁾
Wax over Lead ⁽¹⁾⁽²⁾⁽³⁾

Notes:

1. Not FM Approved
2. cULus listed as corrosion resistant
3. Clear wax used on ordinary temperature rated sprinklers. Brown wax used on intermediate temperature rated sprinklers. Brown wax may be used on high temperature rated sprinklers where the ambient temperature does not exceed 150°F (66°C).

Temperature Ratings

Table D

Classification	Sprinkler Rating		Maximum Ambient Temperature		Frame Color
	°F	°C	°F	°C	
Ordinary	165	74	100	38	Uncolored
Intermediate	212	100	150	66	White
High	286	141	225	107	Blue

Installation

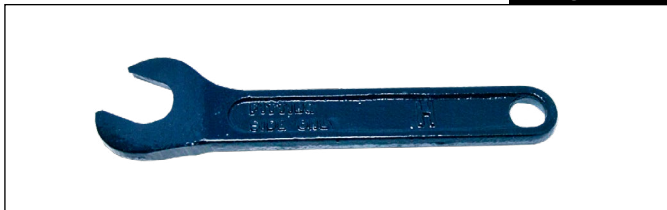
Model G VELO pendent sprinklers must be installed according to appropriate NFPA Standards, FM Global Loss Prevention Data Sheets, and/or the requirements of the authority having jurisdiction.

Use only the Model H sprinkler wrench for sprinkler installation. Any other type of wrench may damage the sprinkler. Damaged sprinklers must be replaced immediately.

A leak tight joint should be obtained with a torque of 14 to 20 lb-ft (19 to 27 N-m) for 3/4 inch NPT and ISO 7-R3/4 thread sprinklers after applying appropriate thread sealant. Exceeding the maximum recommended torque may cause leakage or impairment of the sprinklers.

Model H Wrench

Figure 2



Maintenance

Reliable Model G VELO pendent sprinklers should be inspected and the sprinkler system maintained in accordance with NFPA 25, as well as the requirements of any Authorities Having Jurisdiction.

Prior to installation, sprinklers should remain in the original cartons and packaging until used. This will minimize the potential for damage to sprinklers that could cause improper operation or non-operation.

Do not clean sprinklers with soap and water, ammonia liquid or any other cleaning fluids. Remove dust by gentle vacuuming without touching the sprinkler.

Replace any sprinkler which has been painted (other than factory applied). A stock of spare sprinklers should be maintained to allow quick replacement of damaged or operated sprinklers.

Failure to properly maintain sprinklers may result in inadvertent operation or non-operation during a fire event.

Guarantee

For the Reliable Automatic Sprinkler Co., Inc. guarantee, terms, and conditions, visit www.reliablesprinkler.com.

Ordering Information

Specify the following when ordering.

Model G VELO Sprinkler

- Pendent

Threads

- 3/4" NPT
- ISO 7-R3/4

Temperature Rating

- 165°F (74°C)
- 212°F (100°C)
- 286°F (141°C)

Finish

See Table C

Wrench

- Model H