



**Model DR901 Grooved Drain Elbow with 1" (25 mm) FNPT/BSPT Outlet**

cULus Listed, FM Approved  
300 psi (20.7 bar)

**DR901 Grooved Drain Elbow with 1" FNPT/BSPT Outlet Technical Data**

**Operating Specifications**  
**Maximum Working Pressure:**  
300 psi (20.7 bar)

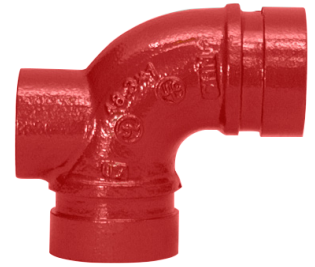
**Material Specifications**  
**Body:** ASTM A536 Grade 65-45-12 Ductile Iron

**Design Specifications**  
**NPT Thread:** ASME B1.20.1  
**BSPT Thread:** ISO 7-1  
**Groove:** AWWA-C606

**Available Finishes**  
**Housing:**  
Red powder coating  
Hot dipped galvanized (ASTM A-153)

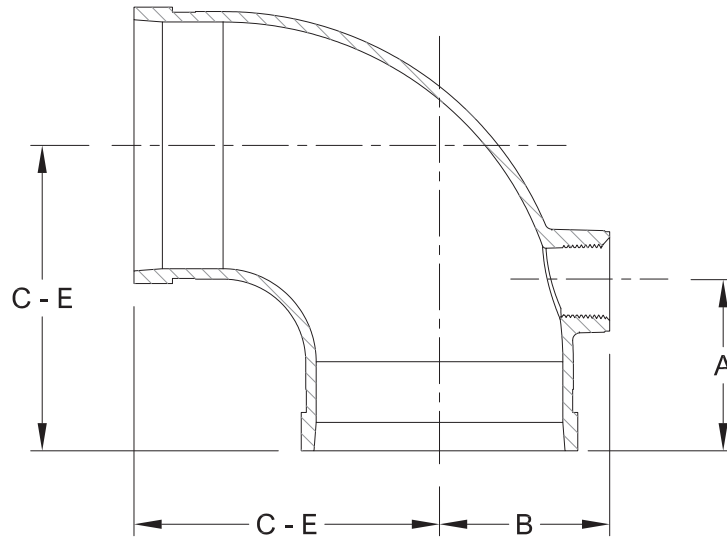
**Listings and Approvals**  
cULus Listed  
FM Approved

**NOTE:** Model DR901 Drain Elbows are available with either an NPT or BSPT threaded outlet.



**DR901 Grooved Drain Elbow with 1" (25 mm) FNPT/BSPT Outlet Dimensions**

**Figure 1**



**Table A**

Nominal Size in (mm)	Pipe O.D. in (mm)	Dimensions			Weight lb (kg)
		C - E in (mm)	A in (mm)	B in (mm)	
1-1/2 x 1 (40 x 25)	1.900 x 1.315 (48.3 x 33.7)	2-3/4 (70)	1-7/8 (48)	1-3/8 (36)	1.32 (0.60)
2 x 1(50 x 25)	2.375 x 1.315 (60.3 x 33.7)	3-1/4 (83)	2-3/4 (70)	1-1/2 (38)	1.92 (0.87)
2-1/2 x 1(65 x 25)	2.875 x 1.315 (73.0 x 33.7)	3-3/4 (95)	2-3/4 (70)	1-3/4 (45)	2.73 (1.24)
76 mm x 1 (76 x 25)	3.000 x 1.315 (76.1 x 33.7)	3-3/4 (95)	2-3/4 (70)	1-3/4 (45)	2.73 (1.24)
3 x 1(80 x 25)	3.500 x 1.315 (88.9 x 33.7)	4-1/4 (108)	2-3/4 (70)	2-3/16 (55)	4.28 (1.94)
4 x 1(100 x 25)	4.500 x 1.315 (114.3 x 33.7)	5 (127)	2-3/4 (70)	2-11/16 (69)	5.40 (2.45)
165 mm x 1 (165 x 25)	6.500 x 1.315 (165.1 x 33.7)	6-1/2 (165) <sup>n</sup>	2-3/4 (70)	3-3/4 (96)	14.44 (6.55)
6 x 1(150 x 25)	6.625 x 1.315 (168.3 x 33.7)	6-1/2 (165)	2-3/4 (70)	3-3/4 (96)	14.44 (6.55)

P/N 9999970685