



**Model E221 22.5° Elbow**

cULus Listed, FM Approved  
300 psi (20.7 bar)

**E221 22.5° Elbow Technical Data**

**Operating Specifications**  
**Maximum Working Pressure:**  
300 psi (20.7 bar)

**Material Specifications**  
**Body:** ASTM A536 Grade 65-45-12 Ductile Iron

**Design Specification**  
**Groove:** AWWA-C606

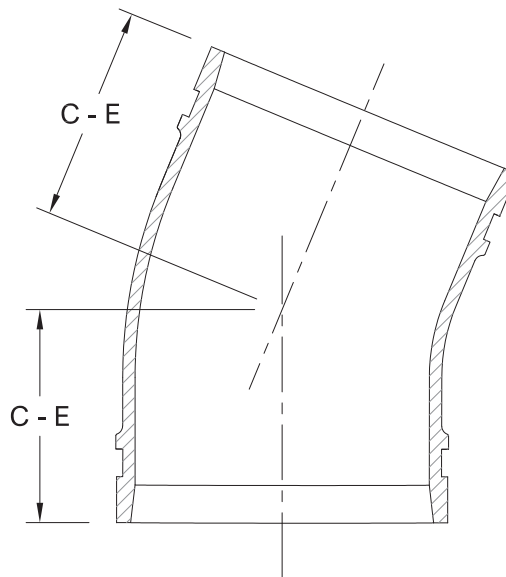
**Available Finishes**  
**Housing:**  
Red powder coating  
Hot dipped galvanized (ASTM A-153)

**Listings and Approvals**  
cULus Listed  
FM Approved



**E221 22.5° Elbow Dimensions**

**Figure 1**



**Table A**

Nominal Size in (mm)	Pipe O.D. in (mm)	Dimension in (mm)	Weight lb (kg)
		C - E	
1-1/4 (32)	1.660 (42.2)	1-3/4 (45)	0.59 (0.26)
1-1/2 (40)	1.900 (48.3)	1-3/4 (45)	0.59 (0.26)
2 (50)	2.375 (60.3)	1-7/8 (48)	1.13 (0.50)
2-1/2 (65)	2.875 (73.0)	2 (51)	1.85 (0.82)
76 mm	3.000 (76.1)	2 (51)	1.85 (0.82)
3 (80)	3.500 (88.9)	2-1/4 (57)	2.48 (1.10)
4 (100)	4.500 (114.3)	2-7/8 (73)	3.71 (1.65)
139 mm	5.500 (139.7)	2-7/8 (73)	5.72 (2.6)
165 mm	6.500 (165.1)	3-1/8 (79)	8.37 (3.72)
6 (150)	6.625 (168.3)	3-1/8 (79)	8.37 (3.72)
8 (200)	8.625 (219.1)	3-7/8 (98)	11.93 (5.30)