



Model MTG1 Grooved Mechanical Tee

cULus Listed, FM Approved
300 psi (20.7 bar)

MTG1 Grooved Mechanical Tee Technical Data

<p>Operating Specifications Maximum Working Pressure: See Table A</p> <p>Operating Temperature -30 °F to 230 °F (-34 °C - 110 °C)</p> <p>Material Specifications Housings: ASTM A536 Grade 65-45-12 Ductile Iron Gasket: Grade E EDPM</p> <p>Bolt Specification: SAE J429 Grade 5</p>	<p>Thread Specification: ASME B1.20.1</p> <p>Available Finishes Housing: Standard orange paint Hot dipped galvanized (ASTM A-153)</p> <p>Listings and Approvals cULus Listed FM Approved</p>	
--	--	--

MTG1 Grooved Mechanical Tee Dimensions

Figure 1

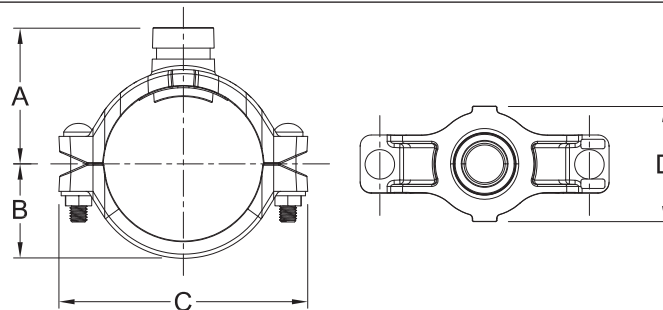


Table A

Nominal Size in (mm)	Pipe O.D. in (mm)	Nominal Branch Pipe Size NPS (DN)	Branch Pipe O.D. in (mm)	Bolt Size x Length in	Dimensions				Weight lb (kg)	Hole Saw Size in (mm)
					A in (mm)	B in (mm)	C in (mm)	D in (mm)		
2 (50)	2.375 (60.3)	1-1/4 (32)	1.660 (42.2)	3/8 x 2-3/8	2-7/8 (73)	1-5/8 (42)	4-3/4 (120)	3-5/16 (84)	2.12 (0.96)	1-3/4 (45)
		1-1/2 (40)	1.900 (48.3)						2.16 (0.98)	1-3/4 (45)
2-1/2 (65)	2.875 (73.0)	1-1/4 (32)	1.660 (42.2)	1/2 x 2-5/8	3-1/16 (79)	1-7/8 (47)	5-5/8 (143)	3-5/16 (84)	2.65 (1.20)	1-3/4 (45)
		1-1/2 (40)	1.900 (48.3)					3-9/16 (90)	2.80 (1.27)	2 (51)
3 (80)	3.500 (88.9)	1-1/4 (32)	1.660 (42.2)	1/2 x 2-5/8	3-3/8 (86)	2-3/16 (55)	6-1/4 (158)	3-5/16 (84)	2.80 (1.27)	1-3/4 (45)
		1-1/2 (40)	1.990 (48.3)					3-9/16 (90)	2.98 (1.35)	2 (51)
		2 (50)	2.375 (60.3)					4 (101)	3.31 (1.50)	2-1/2 (64)
4 (100)	4.500 (114.3)	1-1/4 (32)	1.660 (42.2)	1/2 x 2-3/4	3-7/8 (99)	2-9/16 (65)	7-1/8 (181)	3-5/16 (84)	4.15 (1.88)	1-3/4 (45)
		1-1/2 (40)	1.900 (48.3)					3-9/16 (90)	3.57 (1.62)	2 (51)
		2 (50)	2.375 (60.3)					4 (101)	3.90 (1.77)	2-1/2 (64)
		2-1/2 (65)	2.875 (73.0)					4-5/8 (117)	4.19 (1.90)	2-3/4 (70)
		3 (80)	3.500 (88.9)					5-3/8 (136)	4.63 (2.1)	3-1/2 (89)
6 (150)	6.625 (168.3)	1-1/4 (32)	1.660 (42.2)	5/8 x 3-5/16	4-15/16 (125)	3-13/16 (97)	9-3/4 (248)	3-5/16 (84)	5.31 (2.41)	1-3/4 (45)
		1-1/2 (40)	1.900 (48.3)					3-9/16 (90)	5.31 (2.41)	2 (51)
		2 (50)	2.375 (60.3)					4 (101)	5.58 (2.53)	2-1/2 (64)
		2-1/2 (65)	2.875 (73.0)					4-5/8 (117)	6.62 (3)	2-3/4 (70)
		3 (80)	3.500 (88.9)					5-3/8 (136)	6.79 (3.08)	3-1/2 (89)
		4 (100)	4.500 (114.3)					6-3/8 (162)	7.72 (3.50)	4-1/2 (114)
8 (200)	8.625 (219.1)	2 (50)	2.375 (60.3)	5/8 x 3-1/2	6-1/16 (154)	1-15/16 (125)	12-5/8 (322)	4 (101)	9.24 (4.19)	2-1/2 (64)
		2-1/2 (65)	2.875 (73.0)					4-5/8 (117)	10.06 (4.56)	2-3/4 (70)
		3 (80)	3.500 (88.9)					5-3/8 (136)	10.25 (4.65)	3-1/2 (89)
		4 (100)	4.500 (114.3)					6-3/16 (156)	11.69 (5.3)	4-1/2 (114)

MTG1 Pipe Compatibility

Table B

Nominal Size in (mm)	Nominal Branch Pipe Size in (mm)	Pipe	Approvals
2 (50)	1-1/4 (32)	10, 40	cULus, FM
	1-1/2 (40)		
2-1/2 (65)	1-1/4 (32)	10, 40	cULus, FM
	1-1/2 (40)		
3 (80)	1-1/4 (32)	10, 40	cULus, FM
	1-1/2 (40)		
	2 (50)		
4 (100)	1-1/4 (32)	10, 40	cULus, FM
	1-1/2 (40)		
	2 (50)		
	2-1/2 (65)		
	3 (80)		
6 (150)	1-1/4 (32)	10, 40	cULus, FM
	1-1/2 (40)		
	2 (50)		
	2-1/2 (65)		
	3 (80)		
	4 (100)		
8 (200)	2 (50)	10, 40	cULus, FM
	2-1/2 (65)		
	3 (80)		
	4 (100)		