



Model MTT2 Threaded Mechanical Tee FNPT

cULus Listed, FM Approved
300 psi (20.7 bar)

MTT2 Threaded Mechanical Tee FNPT Technical Data

Operating Specifications

Maximum Working Pressure:
300 psi (20.7 bar)

Operating Temperature
-30 °F to 230 °F (-34 °C to 110 °C)

Material Specifications

Housings: ASTM A536 Grade 65-45-12 Ductile Iron

Gasket: Grade E EDPM

Bolt Specification:

SAE J429 Grade 5

Thread Specification:

ASME B1.20.1

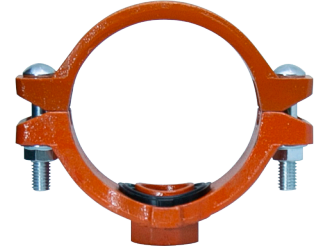
Available Finishes

Housing:

Standard orange paint
Hot dipped galvanized (ASTM A-153)

Listings and Approvals

cULus Listed
FM Approved



MTT2 Threaded Mechanical Tee FNPT Dimensions

Figure 1

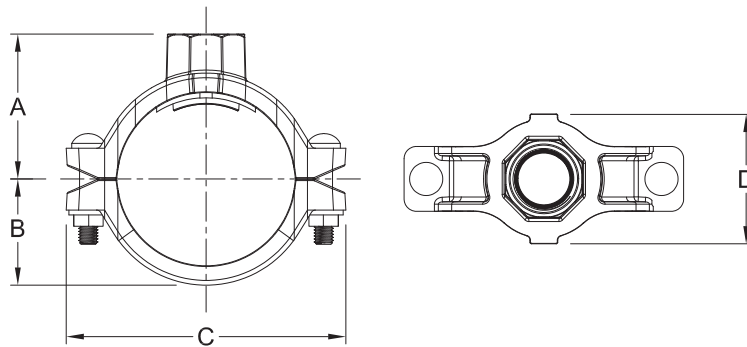


Table A

Nominal Size in (mm)	Pipe O.D. in (mm)	Nominal Branch Pipe Size NPS (DN)	Bolt Size x Length in	Dimensions				Weight lb (kg)	Hole Saw Size in (mm)
				A in (mm)	B in (mm)	C in (mm)	D in (mm)		
2 (50)	2.375 (60.3)	1 (25)	3/8 x 2-3/8	1-7/8 (47)	1-5/8 (42)	4-3/4 (120)	3 (76)	1.85 (0.84)	1-1/2 (38)
		1-1/4 (32)	3/8 x 2-3/8	2-5/8 (52)	1-5/8 (42)	4-3/4 (120)	3-5/16 (84)	2.25 (1.02)	1-3/4 (45)
		1-1/2 (40)	3/8 x 2-3/8	2-13/16 (71)	1-5/8 (42)	4-3/4 (120)	3-5/16 (84)	2.47 (1.12)	1-3/4 (45)
2-1/2 (65)	2.875 (73.0)	1 (25)	1/2 x 2-5/8	2-7/16 (62)	1-7/8 (47)	5-5/8 (143)	3 (76)	2.32 (1.05)	1-1/2 (38)
		1-1/4 (32)	1/2 x 2-5/8	2-7/8 (74)	1-7/8 (47)	5-5/8 (143)	3-5/16 (84)	2.56 (1.16)	1-3/4 (45)
		1-1/2 (40)	1/2 x 2-5/8	2-1/4 (58)	1-7/8 (47)	5-5/8 (143)	3-9/16 (90)	2.93 (1.33)	2 (51)
3 (80)	3.500 (88.9)	1 (25)	1/2 x 2-5/8	2-3/4 (70)	2-3/16 (55)	6-1/4 (158)	3 (76)	3 (1.36)	1-1/2 (38)
		1-1/4 (32)	1/2 x 2-5/8	3-3/16 (81)	2-3/16 (55)	6-1/4 (158)	3-5/16 (84)	3 (1.36)	1-3/4 (45)
		1-1/2 (40)	1/2 x 2-5/8	3-3/16 (81)	2-3/16 (55)	6-1/4 (158)	3-9/16 (90)	3.15 (1.43)	2 (51)
		2 (50)	1/2 x 2-5/8	3-3/16 (81)	2-3/16 (55)	6-1/4 (158)	4 (101)	3.42 (1.55)	2-1/2 (64)
4 (100)	4.500 (114.3)	1 (25)	1/2 x 2-3/4	3-1/4 (82)	2-3/16 (55)	7-1/8 (181)	3 (76)	2.87 (1.30)	1-1/2 (38)
		1-1/4 (32)	1/2 x 2-3/4	3-11/16 (94)	2-3/16 (55)	7-1/8 (181)	3-5/16 (84)	3.31 (1.50)	1-3/4 (45)
		1-1/2 (40)	1/2 x 2-3/4	3-11/16 (94)	2-3/16 (55)	7-1/8 (181)	3-9/16 (90)	3.37 (1.53)	2 (51)
		2 (50)	1/2 x 2-3/4	3-11/16 (94)	2-3/16 (55)	7-1/8 (181)	4 (101)	3.68 (1.67)	2-1/2 (64)
		2-1/2 (65)	1/2 x 2-3/4	3-11/16 (94)	2-3/16 (55)	7-1/8 (181)	4-5/8 (117)	4.48 (2.03)	2-3/4 (70)
6 (150)	6.625 (168.3)	1 (25)	5/8 x 3-5/16	4-1/4 (109)	3-3/16 (97)	9-3/4 (248)	3 (76)	5.18 (2.35)	1-1/2 (38)
		1-1/4 (32)	5/8 x 3-5/16	4-1/4 (109)	3-3/16 (97)	9-3/4 (248)	3-5/16 (84)	5.42 (2.46)	1-3/4 (45)
		1-1/2 (40)	5/8 x 3-5/16	4-1/4 (109)	3-3/16 (97)	9-3/4 (248)	3-9/16 (90)	5.40 (2.45)	2 (51)
		2 (50)	5/8 x 3-5/16	4-1/4 (109)	3-3/16 (97)	9-3/4 (248)	4 (101)	5.65 (2.56)	2-1/2 (64)
		2-1/2 (65)	5/8 x 3-5/16	4-1/4 (109)	3-3/16 (97)	9-3/4 (248)	4-5/8 (117)	6.28 (2.85)	2-3/4 (70)
8 (200)	8.625 (219.1)	3 (80)	5/8 x 3-1/2	6-1/4 (158)	4-15/16 (125)	12-11/16 (322)	5-3/8 (136)	9.15 (4.16)	3-1/2 (89)

MTT2 Pipe Compatibility

Table B

Nominal Size in (mm)	Pipe	Approvals
2 (50)	10	cULus, FM
	40	
2-1/2 (65)	10	cULus, FM
	40	
3 (80)	10	cULus, FM
	40	
4 (100)	10	cULus, FM
	40	
6 (150)	10	cULus, FM
	40	
8 (200)	10	cULus, FM
	40	