

Reliable®

Model G4-300 300 psi (20,7 bar) Rated Concealed Automatic Sprinkler

The G4-300 Concealer™

Features

1. Cover plate attachment with ½" (13mm) cover plate adjustment.
2. Simple sturdy cover attachment.
3. Smooth aesthetic ceiling profile.
4. Factory installed protective cap.
5. Available in brass, chrome or black plated and white painted finishes.
6. Ordinary and intermediate temperature rating.
7. 300 psi (20,7 bar) maximum pressure rating.

Listings and Approvals

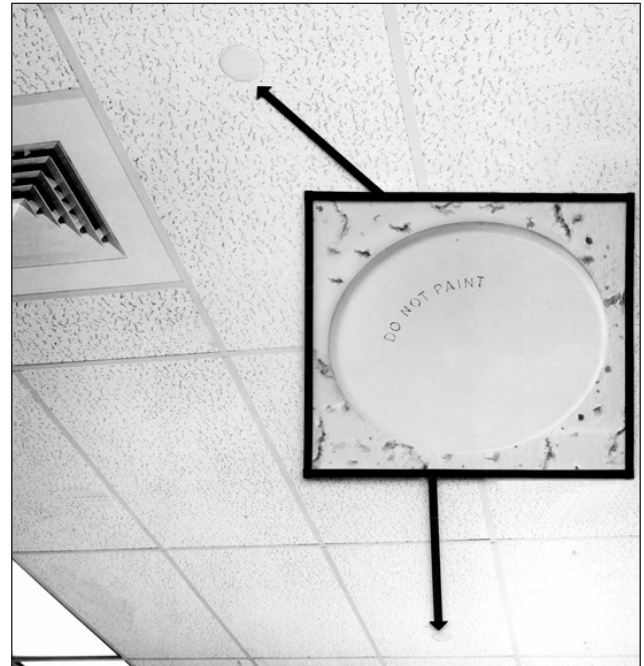
1. Underwriters Laboratories, Inc.
2. Certified for Canada by Underwriters Laboratories Inc.
3. NYC MEA 258-93-E

Note: Approvals are for Light and Ordinary Hazard. The cup and skirt are fabricated from plated steel and are recommended for interior, non-corrosive applications.

Application

The Reliable Model G4-300 Concealer™ is a versatile standard response concealed sprinkler. It provides the best form of fire protection while offering an attractive appearance and ½" (13mm) of cover adjustment for ease of installation. The small diameter cover plate is easily and positively attached and blends into the ceiling, concealing dependable fire protection; an automatic sprinkler system.

The Model G4-300 Concealer™ is designed for use where aesthetic appearance is important. It can be used at working pressures up to 300 psi (20,7 bar). The Model G4-300 Concealer™ is a UL Listed Standard Response Concealed sprinkler intended for use in accordance with NFPA 13.



Product Description

The Reliable Model G4-300 Concealer™ uses the proven Model G fusible element in a standard style sprinkler frame with a drop down deflector. This assembly is recessed into the ceiling and concealed by a flat cover plate. The cover plate and sprinkler cup assemblies are attached using a strong threaded engagement. This threaded engagement provides ½" (13mm) of cover adjustment. The cover plate is attached to the skirt using an ordinary temperature classification solder. This result in strong cover plate assembly with an ordinary temperature rating, and an intermediate temperature sprinkler which can be installed in 150°F (66°C) environments. When the temperature at the ceiling rises, the solder holding the cover plate fuses, allowing the release of this part and thus exposing the sprinkler inside to the rising ambient temperature.

Installation

Do not install the G4-300 Concealer™ in ceilings which have positive pressure in the space above.

After a 2⁵/₈" (67mm) diameter hole is cut in the ceiling, the sprinkler is easily installed with the Model G4 Wrench. The wrench has drive tangs which insert into the cup slots. When installing a sprinkler the wrench is first positioned into the sprinkler/cup assembly until the wrench tangs engage the drive slots in the top of the cup (there are two sets of drive slots in the cup). The sprinkler is then tightened into the pipe fitting. When inserting or removing the wrench from the sprinkler/cup assembly care should be taken to prevent damage to the sprinkler. **DO NOT WRENCH ON ANY OTHER PART OF THE SPRINKLER/CUP ASSEMBLY.** Install the cover plate by pushing in and turning in the clockwise direction until it is tight against the ceiling.

A protective cap is provided to protect the drop-down sprinkler deflector from damage which could occur during construction before the cover plate is installed. The cap is installed inside the sprinkler cup. Remove cap to install sprinkler, then re-install cap until the cover plate is installed.

Maintenance

The Model G4-300 Concealed Sprinklers should be inspected and the sprinkler system maintained in accordance with NFPA 25. Do not clean sprinklers with soap and water, ammonia or any other cleaning fluids. Remove any sprinkler that has been painted (other than factory applied) or damaged in any way. A stock of spare sprinklers should be maintained to allow quick replacement of damaged or operated sprinklers. Prior to installation, sprinklers should be maintained in the original cartons and packaging to minimize the potential for damage to sprinklers that would cause improper operation or non-operation.

Note: Paint or any other coatings applied over the factory finish will void all approvals and warranties.

Ordering Information

Specify:

1. Sprinkler Model
2. Nominal Orifice
3. Cover Plate Finish

Cover Plate Finishes

Standard Finishes
White Paint
Chrome
Special Application Finishes
Off White Paint
Black Paint
Custom Color Paint – Specify ⁽¹⁾
Raw Brass (Lacquered)
Bright Brass
Finished Bronze
Satin Chrome
Stainless Steel Clad ⁽²⁾
Custom Printed

⁽¹⁾ Custom color paint is semi-gloss, unless specified otherwise.

⁽²⁾ Stainless steel clad cover plates are Type 316 Stainless Steel on the finished side and C102 Copper Alloy on the back side. Cover plates are not listed or approved as corrosion resistant.



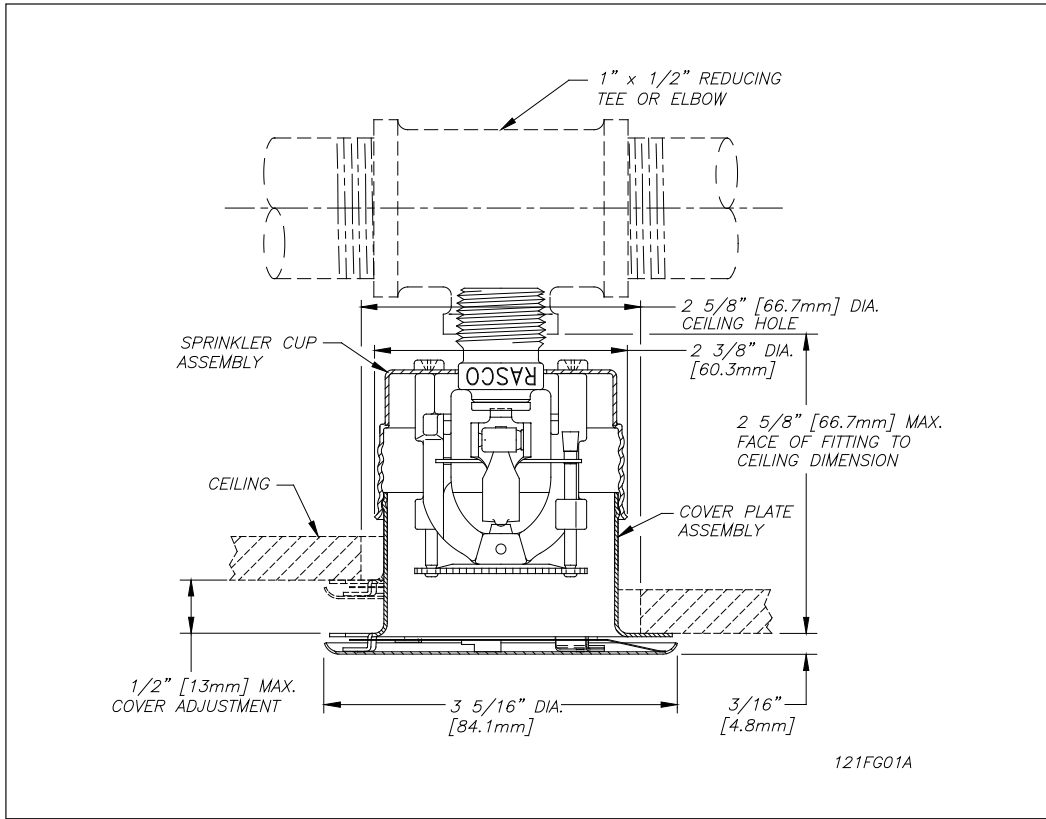
Model G4 Sprinkler Wrench

Standard Temperature Ratings

Classification	Sprinkler	G4/G5 Cover Plate	Max. Ambient Temperature
Ordinary	135°F/57°C	135°F/57°C	100°F/38°C
Ordinary	165°F/74°C	135°F/57°C	100°F/38°C
Intermediate	212°F/100°C	165°F/74°C	150°F/66°C

Technical Data

Sprinkler Inlet	Total Adjustment	Nominal Orifice	Nominal K Factor		Approvals	Sprinkler Identification Number (SIN)
			US	Metric		
½" NPT (R ½)	½" (13mm)	½" (15mm)	5.6	80	1, 2, 3	R6115



1/2" NPT (R1/2) Non-Adjustable Inlet
Figure. 1

The equipment presented in this bulletin is to be installed in accordance with the latest published Standards of the National Fire Protection Association, Factory Mutual Research Corporation, or other similar organizations and also with the provisions of governmental codes or ordinances whenever applicable.

Products manufactured and distributed by Reliable have been protecting life and property for almost 100 years.

Manufactured by



Reliable Automatic Sprinkler Co., Inc.
 (800) 431-1588 Sales Offices
 (800) 848-6051 Sales Fax
 (914) 829-2042 Corporate Offices
 www.reliablesprinkler.com Internet Address



Revision lines indicate updated or new data.
 EG. Printed in U.S.A. 05/22 P/N 9999970165