



Model G4-11 Sprinkler
Standard Spray, Flat Concealed Pendent

Available with Gasketed Cover Plate

Features

- Standard Coverage, Concealed Pendent K11.2 (160 metric)
- Flat concealed cover plate available in a variety of finishes.
- Available with Stainless Steel Clad cover plate (see Table I).
- 1/2-inch (13 mm) cover plate adjustment.
- Cover plate available with optional gasket.

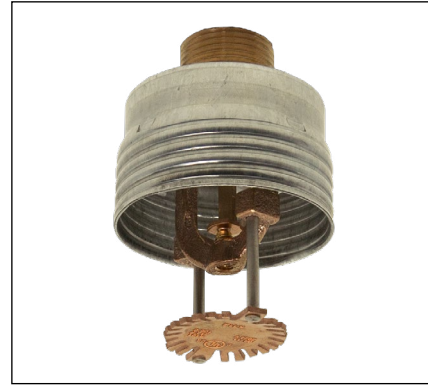
Product Description

Model G4-11 sprinklers are standard coverage, flat plate concealed pendent sprinklers. The sprinklers are intended for use in accordance with NFPA 13 and the requirements of the authority having jurisdiction for the protection of non-storage occupancies where limited water pressure is available and/or a larger K-factor is needed due to increased density.

Model G4-11 sprinklers must only be used with the Model G5 cover plate listed with the sprinkler. The sprinklers can utilize a standard Model G5 cover plate, a Model G5 cover plate with a quick-response (QR) gasket, or a Model G5 cover plate with a standard-response (SR) gasket. Model G5 sprinklers with a gasketed cover plate are intended to limit air and dust movement through the ceiling in dust free environments such as clean rooms.

Note: Model G5 QR Gasket and Model G5 SR Gasket cover plates are sold as assembled units including both the cover plate and gasket. Model G5 QR Gasket and Model G5 SR cover plates with gaskets are not interchangeable.

Table A provides a summary of available Model G4-11 sprinklers, along with Listing information for each sprinkler and cover plate combination.



Model G4-11 Sprinkler



Model G5 Cover Plate



Model G5 Cover Plate with SR Gasket

Note: Gasket material is silicone rubber, available in white only.

Sprinkler Summary

Table A

Sprinkler Model	K-Factor gpm/psi ^{1/2} (L/min/bar ^{1/2})	Cover Plate Model	Listings and Approvals	Sensitivity	Max. Working Pressure psi (bar)	Sprinkler Identification Number (SIN)
G4-11	11.2 (160)	G5	cULus	QR	175 (12)	R101
		G5 QR Gasket	cULus	QR		
		G5 SR Gasket	cULus	SR		

Notes:

1. NFPA 13 does not permit the use of quick-response sprinklers in extra hazard occupancies or other occupancies where there are substantial amounts of flammable liquids or combustible dusts.
2. Do not use Model G4-11 sprinklers in locations where the pressure in the space above the ceiling is positive with respect to the pressure in protected space.

Technical Specifications

Style: Flat Concealed Pendent
Threads: 3/4" NPT or ISO 7-1 R3/4
Nominal K-Factor: 11.2 (160 metric)
Max. Working Pressure: 175 psi (12 bar)

Material Specifications

Fusible Link: Beryllium Nickel
Sprinkler Body: Brass Alloy
Levers: Bronze Alloy
Yoke: Brass Alloy
Sealing washer: Nickel with PTFE
Load Screw: Bronze Alloy
Towers: Copper Alloy
Pins: Stainless Steel
Deflector: Bronze Alloy
Cup: Steel

Temperature Ratings

Ordinary
 165°F (74°C) (Sprinkler)
 [135°F (57°C) (Cover Plate)]
 Intermediate
 212°F (100°C) (Sprinkler)
 [165°F (74°C) (Cover Plate)]

Sensitivity

(See Table A)

Cover Plates

Model G5
 Model G5 QR Gasket
 Model G5 SR Gasket

Cover Plate Finishes

(See Table B)

Sprinkler Wrench

Model G4

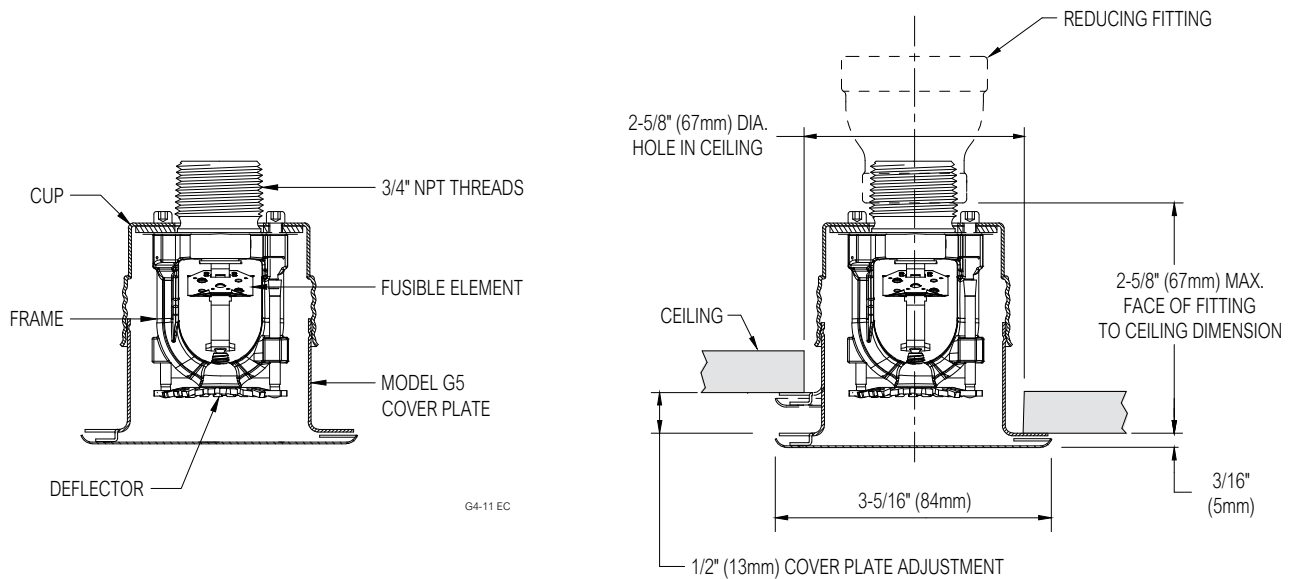
Listings and Approvals

cULus Listed (Non-storage areas)



Model G4-11 Sprinkler Components and Dimensions

Figure 1



Cover Plate Finishes⁽¹⁾⁽²⁾

Table B

Standard Finishes	Special Application Finishes
White Paint Chrome ⁽⁴⁾	Custom Color Paint (Specify) ⁽³⁾ Bright Brass ⁽⁴⁾ Finished Bronze ⁽⁴⁾ Satin Chrome ⁽⁴⁾ Stainless Steel Clad ⁽⁵⁾

Notes:

1. Paint or any other coating applied over the factory finish will void all approvals and warranties.
2. Cover plates do not carry corrosion resistant listings or approvals.
3. Custom color paint is semi-gloss unless specified otherwise.
4. Not listed for use with QR sealing gasket.
5. Stainless steel clad cover plates are Type 316 Stainless Steel on the finished side and C102 Copper Alloy on the back side.

Listing & Approval Agencies

The Model G4-11 sprinkler is Listed by the following agency:

- Underwriters Laboratories, Inc. and UL Canada (cULus)
Listing Category: Sprinklers, Automatic and Open
Guide Number: VNIV

G4 Wrench



Installation

Model G4-11 sprinklers are intended to be installed in accordance with NFPA 13 and the requirements of applicable authorities having jurisdiction. Model G4-11 sprinklers must not be installed in ceilings with positive pressure in the space above. Ensure that the 4 slots in the cup are open and unobstructed following installation.

Model G4-11 sprinklers must be installed using the Reliable Model G4 wrench. The use of any other wrench to install Model G4-11 sprinklers is not permitted and may damage the sprinkler.

Fully insert the Model G4 wrench over the sprinkler until it reaches the bottom of the cup until the wrench engages the body. Do not wrench any other part of the sprinkler/cup assembly. The Model G4 wrench is designed to be turned with a standard 1/2" square drive. Tighten the sprinkler into the fitting after applying a PTFE based thread sealant or thread sealant tape to the sprinkler threads. Recommended installation torque is 14-20 ft. lb. (19-27 N·m).

Do not exceed the maximum recommended torque. Exceeding the maximum recommended torque may cause leakage or impairment of the sprinkler. Use care when inserting or removing the wrench from the sprinkler to avoid damage to the sprinkler.

Install the cover plate by hand, pushing and then turning the cover in the clockwise direction until it is tight against the ceiling. For Model G5 QR Gasket and Model G5 SR Gasket cover plates, the gasket should be attached to the flange of the cover plate skirt only. Do not glue the gasket in place or allow the gasket to overlap both the cover plate and the flange of the skirt.

Maintenance

Reliable Model G4-11 sprinkler should be inspected and the sprinkler system maintained in accordance with NFPA 25, as well as the requirements of any Authorities Having Jurisdiction.

Prior to installation, sprinklers should remain in the original cartons and packaging until used. This will minimize the potential for damage to sprinklers that could cause improper operation or non-operation.

Do not clean sprinklers with soap and water, ammonia liquid or any other cleaning fluids. Remove dust by gentle vacuuming without touching the sprinkler.

Replace any sprinkler or cover plate which has been painted (other than factory applied). Properly installed Model G5 cover plates will have an air gap that is required for proper operation, do not seal the gap or paint the cover plates. Model G4-11 sprinklers have holes in the cup that must remain unobstructed.

Replace any sprinkler which has been damaged. A stock of spare sprinklers should be maintained to allow quick re-placement of damaged or operated sprinklers. Failure to properly maintain sprinklers may result in inadvertent operation or non-operation during a fire event.

Guarantee

For the Reliable Automatic Sprinkler Co., Inc. guarantee, terms, and conditions, visit www.reliablesprinkler.com.

Ordering Information

Specify the following when ordering.

Sprinkler

- Model G4-11
- Temperature Rating [165°F (74°C)] [212°F (100°C)]
- Threads [NPT or ISO 7-1]

Cover Plate

- Model [G5, G5 QR Gasket, G5 SR Gasket]
- Finish (See Table C)

Sprinkler Wrench

- Model G4